



STORE NUMBER:

ALDI
11312 H Hwy 49
GULFPORT, MS

EXISTING SIGNS:

- 1 CHANNEL LETTERS
- 2 5'-1" X 10'-0 1/2" PYLON

PROPOSED SIGNS:

- 1 12'-0" X 10'-0 11/16" WALL SIGN
- 2 5'-1" X 10'-0 1/2" FACE REPLACEMENT



persōna
SIGNS | LIGHTING | IMAGE

Persona Signs, LLC
700 21st Street Southwest
PO Box 210
Watertown, SD 57201-0210
1.800.843.9888 - www.personasigns.com

Customer:
ALDI
Location:
GULFPORT, MS
File Name:
465438 - GULFPORT, MS

Project No.:
465438
Request No.:
64670
Prepared By:
PG
Date:
10/01/24
Revision:
0



This sign is intended to be installed in accordance with the requirements of Article 600 of the National Electric Code and/or other applicable local codes. This includes proper grounding and bonding of the sign.

This is an original document created by Persona Signs, LLC provided specifically to the client for the client's personal use. This document should not be shared, reproduced, disclosed or otherwise used without written permission from Persona Signs, LLC.

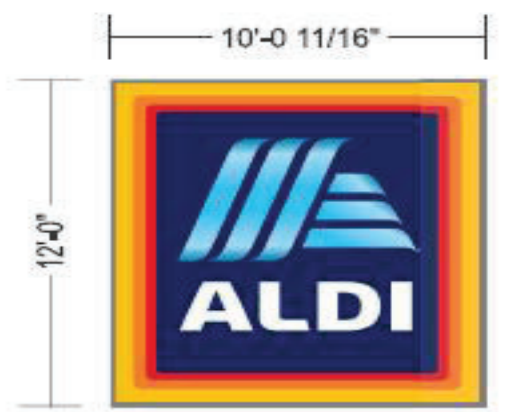
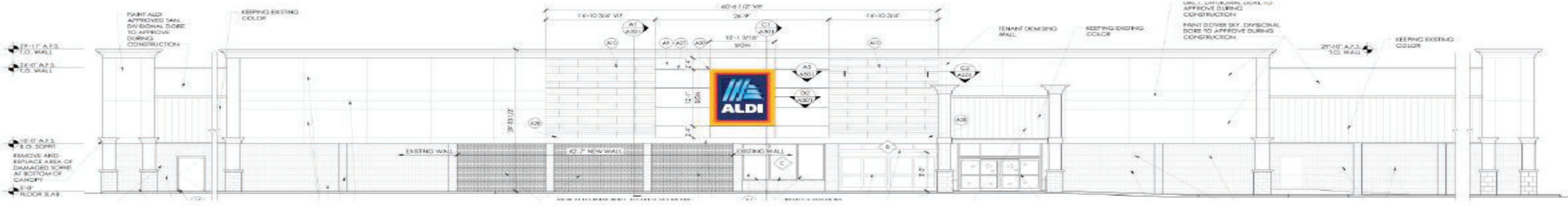
Customer Approval (Please Initial):

Approval Date:

1



FRONT ELEVATION
SCALE: 1' = 23'-0"



GRAPHIC DETAIL
SCALE: 1/8" = 1'-0"



persona
SIGNS | LIGHTING | IMAGE

Persona Signs, LLC
700 21st Street Southwest
PO Box 210
Watertown, SD 57201-0210
1.800.843.9888 - www.personasigns.com

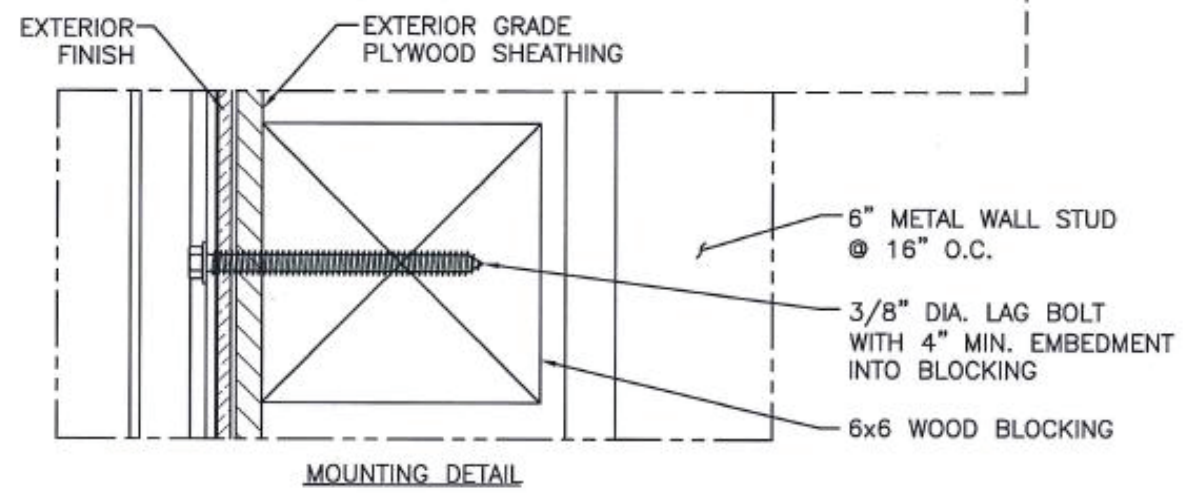
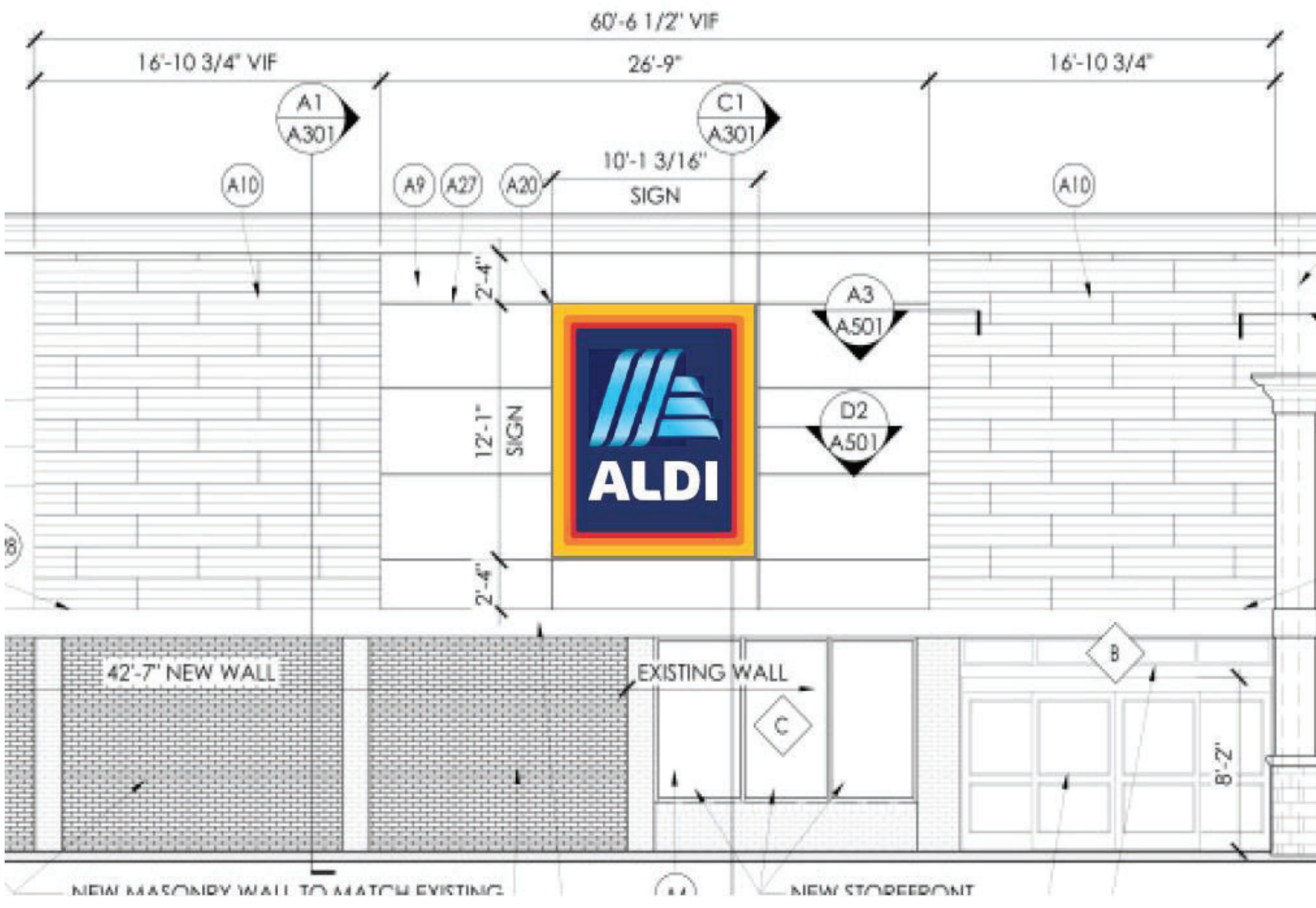
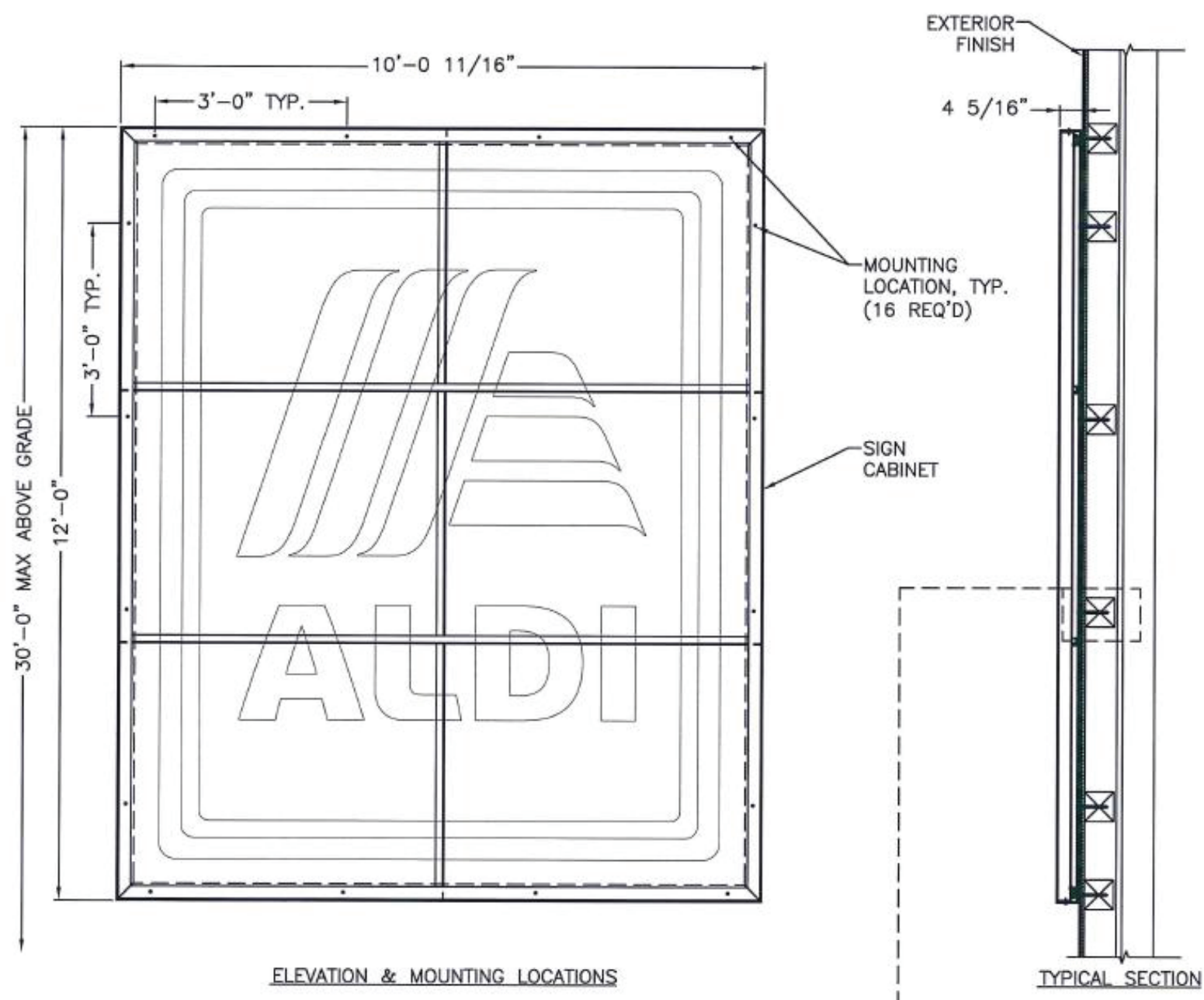
Customer: **ALDI**
Location: **GULFPORT, MS**
File Name: **465438 - GULFPORT, MS**

Project No.: **465438** Request No.: **64670**
Prepared By: **PG**
Date: **10/01/24** Revision: **0**

UL This sign is intended to be installed in accordance with the requirements of Article 600 of the National Electric Code and/or other applicable local codes. This includes proper grounding and bonding of the sign.
This is an original document created by Persona Signs, LLC provided specifically to the client for the client's personal use. This document should not be shared, reproduced, distributed or otherwise used without written permission from Persona Signs, LLC.

Customer Approval (Please Initial):
Approval Date:

Attachment Details of Proposed Wall Sign



FACE REPLACEMENT ONLY



EXISTING
5'-1 1/4" X 20'-0 1/4" PYLON
2" RETAINER



PROPOSED

OPTION 1



GRAPHIC DETAIL
SCALE: 3/16" = 1'-0"

