

# CHASE

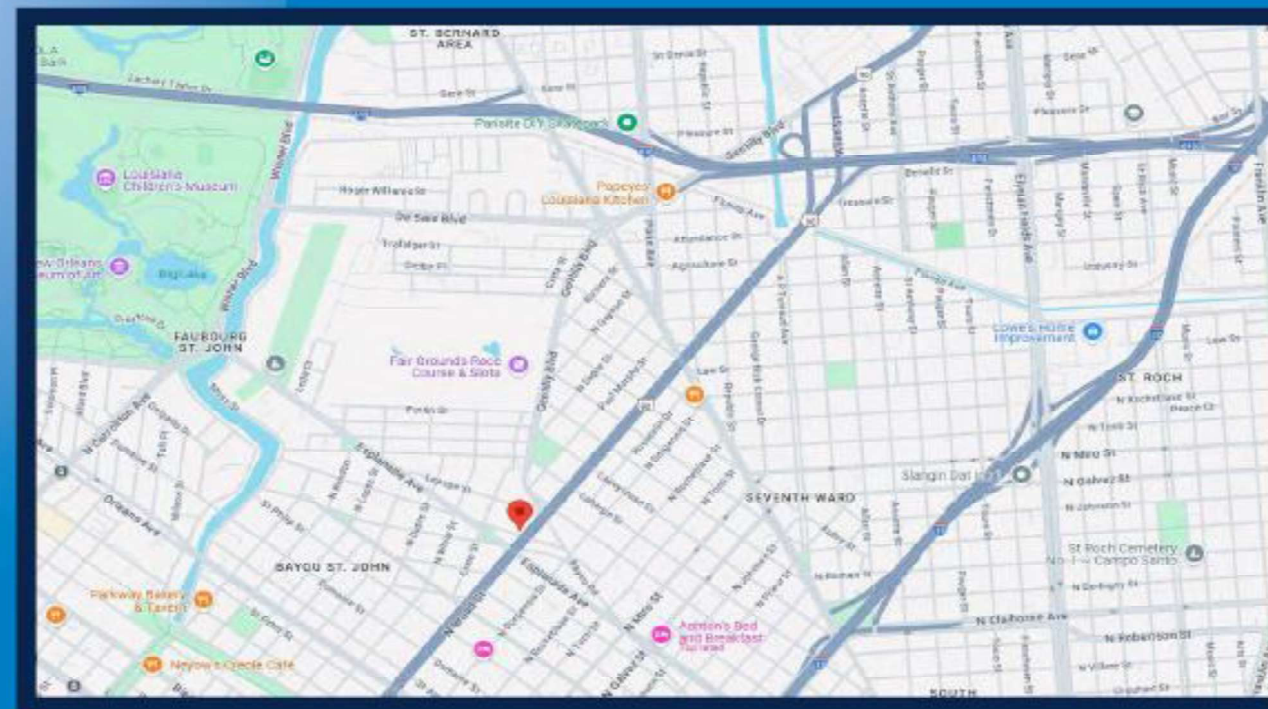


**#48200R017546**

**Broad Desoto - Exterior Refresh**

**1425 N Broad St**

**New Orleans, LA 70119**



**REVISION NOTES:**

- R1: B01 moved to face Desoto Street. - AS - 03/05/25
- R2: B04-B08 removed from scope of work and added two sets of Sig canopies, Has dache bars to scope. - AS - 03/13/25
- R3: East elevation updated and edited to match allowed monument. - AS - 03/19/25
- R5: Detail Drawing - UPDATE - AS - 04/08/25
- R7: Detail Drawing - Added A01 sig to elevation and updated existing conditions photos. - AS - 04/16/25
- R9: Detail Drawing - G01 and B01 locations updated. - AS - 05/01/25



**Signtech™**

4444 Federal Blvd. San Diego CA 92102  
 Phone: (619) 527-6100 / Fax: (619) 527-6111  
 signtech.com



**JP Morgan Chase Bank**  
**#48200R017546**

Broad Desoto - Exterior Refresh  
 1425 N Broad St  
 New Orleans, LA 70119

Initial Date: 02/24/25  
 Salesperson: Arthur Navarro  
 Coordinator: Lorena P Leon  
 Designer: ASena  
 Scale: As noted

**CUSTOMER APPROVAL**

Customer Signature \_\_\_\_\_ Date \_\_\_\_\_  
**COPY, COLORS & SIZES**

Signtech does NOT provide primary  
 electrical to sign location -  
**RESPONSIBILITY OF OTHERS!**

Customer Signature \_\_\_\_\_ Date \_\_\_\_\_  
 This design is the exclusive property of Signtech  
 and cannot be reproduced in whole or in part,  
 without their prior written approval.

Drawing Number: 25-00444

Project ID: CHASE\_48200R017546\_1

Revision: R9: AS - 05/01/25

Page:

**SITE PLAN**  
**SCALE: 1"=40'-0"**



**EXTERIOR SCOPE OF WORK**

| SIGN ID | ELEVATION | SIGN TYPE    | DESCRIPTION  | SQFT |
|---------|-----------|--------------|--|------|
| G01     | --        | M-12-RE*     | Double-Faced Illuminated Pylon                       | 12   |
| B01     | WEST      | LNIC-WBO-12  | 12" White Channel Letters and Logo - Non-Illuminated | 9.1  |
| B02     | SOUTH     | LIF-R-WBO-24 | 24" White Channel Letters and Logo w/ Raceway        | 36.9 |
| B03     | EAST      | LIF-WBO-24   | 24" White Channel Letters and Logo                   | 36.9 |

| SQUARE FOOTAGE |      |
|----------------|------|
| PROPOSED SQFT: | 94.9 |



**DAMMON**

**\*MONUMENT & PYLON GROUND SIGNS\***  
**\*FINAL LOCATION TO BE CONFIRMED VIA CIVIL ENGINEERING REPORT & VERIFIED BY FIELD SURVEY\***



**Signtech™**

4444 Federal Blvd. San Diego CA 92102  
 Phone: (619) 527-6100 / Fax: (619) 527-6111  
 signtech.com



**JP Morgan Chase Bank**  
**#48200R017546**

Broad Desoto - Exterior Refresh  
 1425 N Broad St  
 New Orleans, LA 70119

Initial Date: 02/24/25  
 Salesperson: Arthur Navarro  
 Coordinator: Lorena P Leon  
 Designer: ASena  
 Scale: As noted

**CUSTOMER APPROVAL**

Customer Signature \_\_\_\_\_ Date \_\_\_\_\_  
**COPY, COLORS & SIZES**

Signtech does NOT provide primary electrical to sign location - **RESPONSIBILITY OF OTHERS!**

Customer Signature \_\_\_\_\_ Date \_\_\_\_\_  
 This design is the exclusive property of Signtech and cannot be reproduced in whole or in part, without their prior written approval.

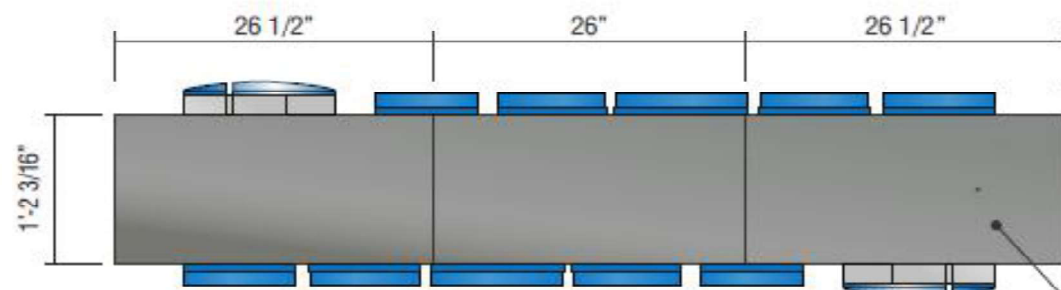
Drawing Number: 25-00444

Project ID: CHASE\_48200R017546\_1

Revision: R9: AS - 05/01/25

**Sign Legend / Site Plan**

Page:



**TOP VIEW SCALE: 3/4" = 1'-0"**

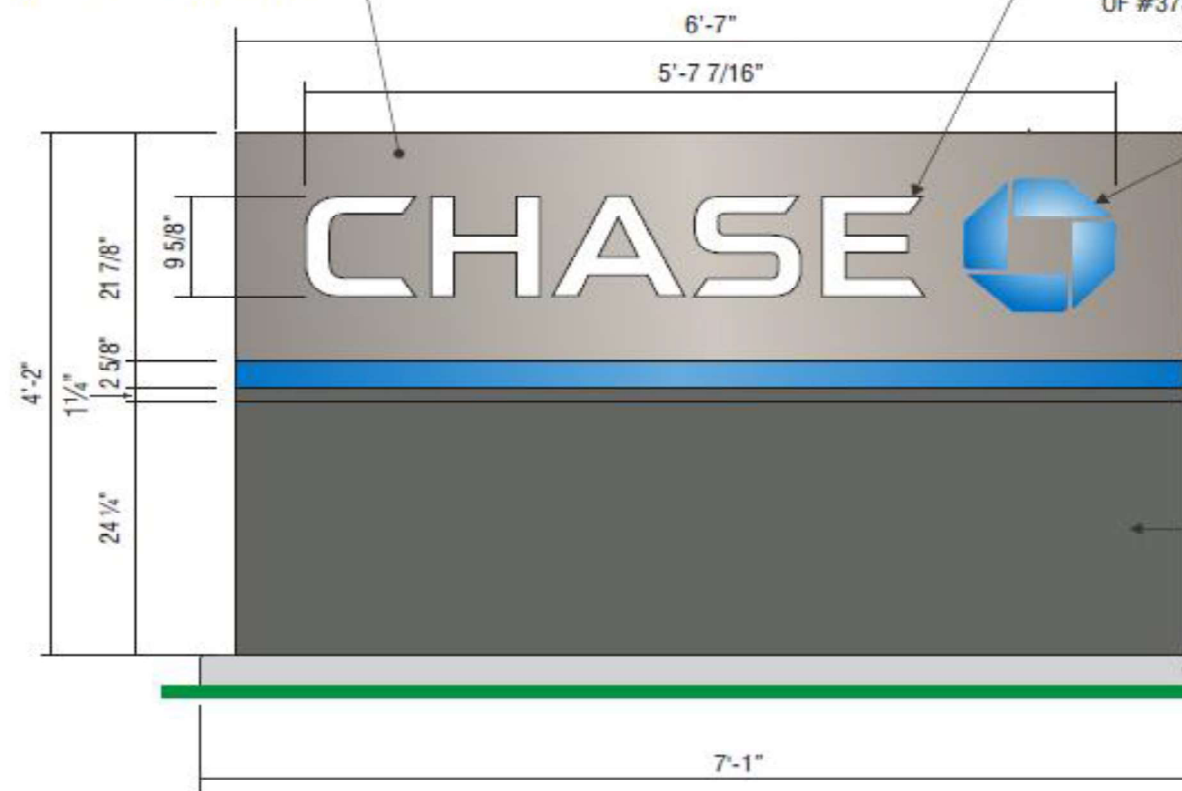
.125" ALUM. TOP REMOVABLE ACCESS PANELS PAINT TO MATCH MATTHEWS #MP-19891 CHASE NICKEL GLOSS FINISH

ALL EXPOSED PAINTED SURFACES SHALL BE COATED WITH MATTHEWS #282-208SP VOC GLOSS CLEAR, WITH MINIMUM 2 MILS DRY FILM THICKNESS (DFT) PER MATTHEWS APPLICATION SPECIFICATIONS.

ALL EXPOSED FASTENER HEADS SHALL BE PAINTED TO MATCH THE EXTERIOR CABINET FINISH



.125" ALUM. TOP PANEL PAINT TO MATCH MATTHEWS #MP-19891 CHASE NICKEL GLOSS FINISH



**FRONT VIEW SCALE: 3/4" = 1'-0"**

LED ILLUMINATED CHASE LETTERSET w/ .125" #7328 WHITE ACRYLIC FACES & .125" #6046 BLUE ACRYLIC RETURNS. RETURNS TO RECEIVE 2ND SURFACE LAYER OF #3735-60 DIFFUSER FILM

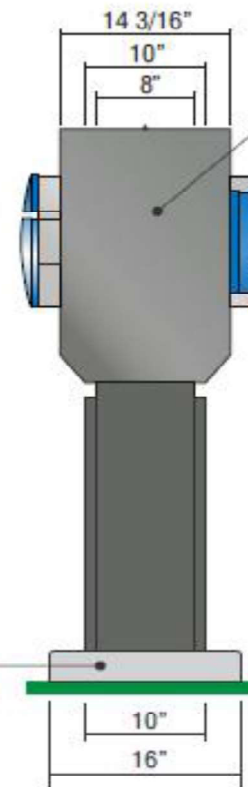
LED ILLUMINATED OCTAGON w/ .125" #6046 BLUE ACRYLIC FACES & ALUM. RETURNS

.125" #6046 BLUE ACRYLIC ILLUMINATED ACCENT STRIP ON BOTH FACES

1 3/4" ALUM. REVEAL PAINT TO MATCH MATTHEWS #MP-18248 DARK NICKEL GLOSS FINISH

.125" ALUM. BASE COVER PAINT TO MATCH MATTHEWS #MP-18248 DARK NICKEL GLOSS FINISH

FORMED CONCRETE MOW STRIP 3" HIGH w/ BULL-NOSED TOP EDGE



**END VIEW**

.125" ALUM. SIDE PANEL PAINT TO MATCH MATTHEWS #MP-19891 CHASE NICKEL GLOSS FINISH



**EXISTING CONDITION - NOT TO SCALE  
- REMOVE AND REPLACE W/ NEW M-12-RE**

**G01 SIGN TYPE M-12-RE**

**MANUFACTURE AND INSTALL ONE (1) INTERNALLY ILLUMINATED D/F MONUMENT SIGN**



4444 Federal Blvd. San Diego CA 92102  
Phone: (619) 527-6100 / Fax: (619) 527-6111  
signtech.com



**JP Morgan Chase Bank  
#48200R017546**

Broad Desoto - Exterior Refresh  
1425 N Broad St  
New Orleans, LA 70119

Initial Date: 02/24/25  
Salesperson: Arthur Navarro  
Coordinator: Lorena P Leon  
Designer: ASena  
Scale: As noted

**CUSTOMER APPROVAL**

Customer Signature \_\_\_\_\_ Date \_\_\_\_\_  
**COPY, COLORS & SIZES**

Signtech does NOT provide primary electrical to sign location - **RESPONSIBILITY OF OTHERS!**

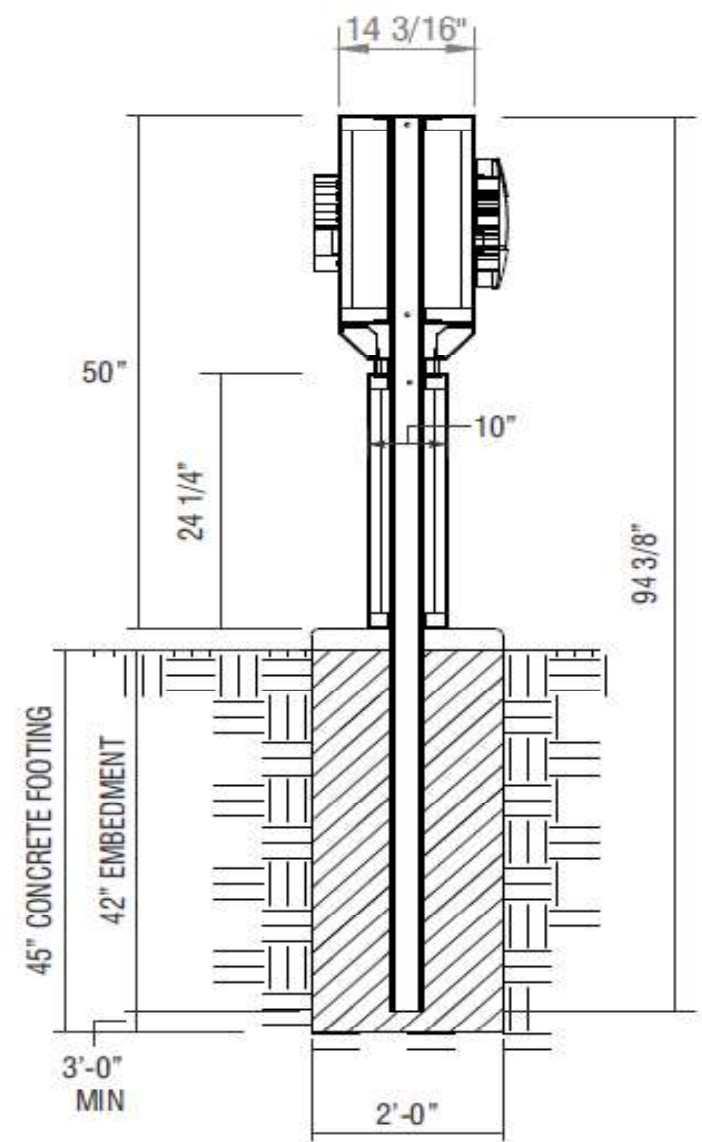
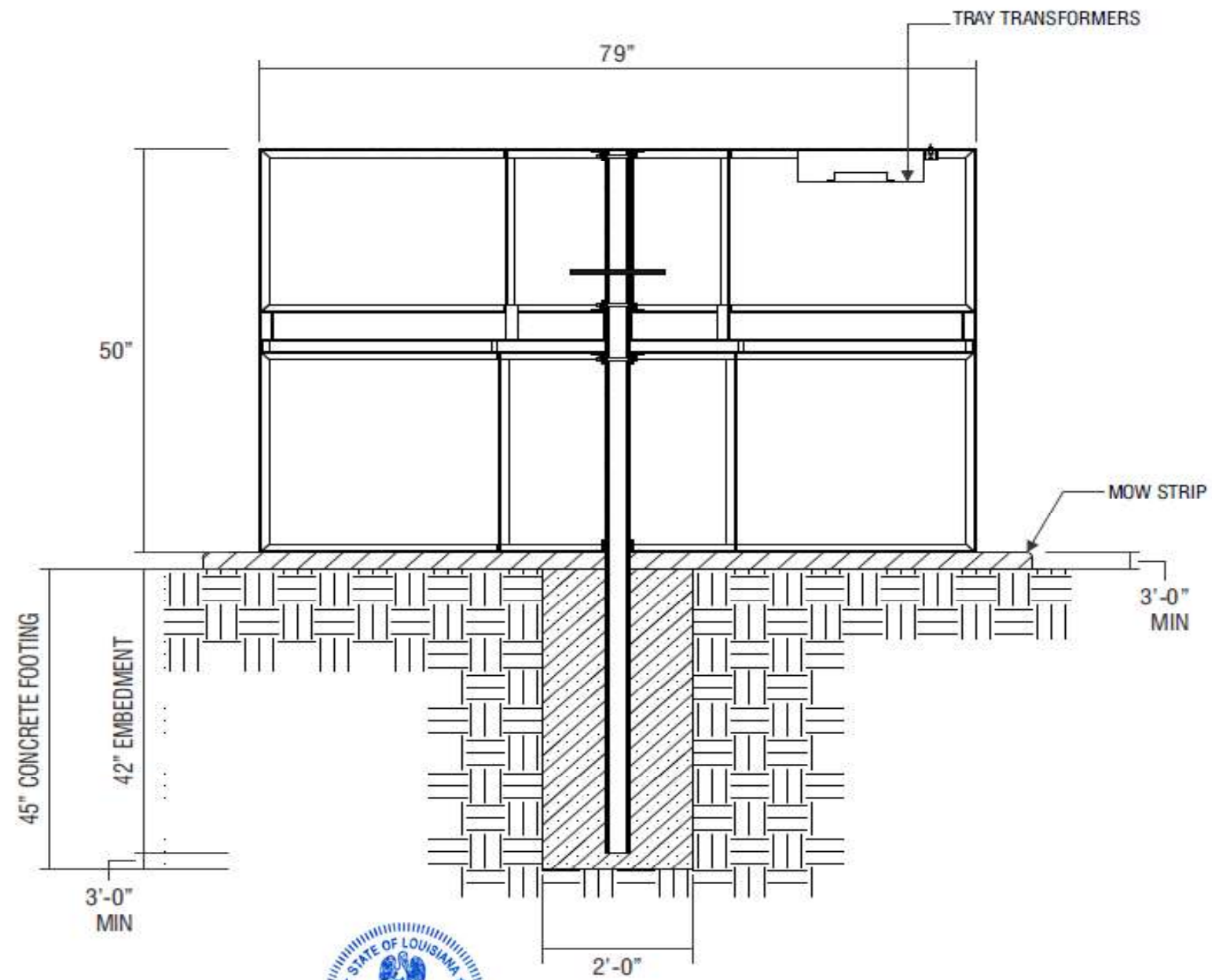
Customer Signature \_\_\_\_\_ Date \_\_\_\_\_  
This design is the exclusive property of Signtech and cannot be reproduced in whole or in part, without their prior written approval.

Drawing Number: 25-00444

Project ID: CHASE\_48200R017546\_1

Revision: R9: AS - 05/01/25

Page:



**C-C** INSTALLATION LONGITUDINAL SECTION

Scale: NTS

**D-D** VERTICAL SECTION

Scale: NTS



**Signtech™**

4444 Federal Blvd. San Diego CA 92102  
 Phone: (619) 527-6100 / Fax: (619) 527-6111  
 signtech.com



**JP Morgan Chase Bank**  
**#48200R017546**

Broad Desoto - Exterior Refresh  
 1425 N Broad St  
 New Orleans, LA 70119

Initial Date: 02/24/25  
 Salesperson: Arthur Navarro  
 Coordinator: Lorena P Leon  
 Designer: ASena  
 Scale: As noted

**CUSTOMER APPROVAL**

Customer Signature \_\_\_\_\_ Date \_\_\_\_\_  
**COPY, COLORS & SIZES**

Signtech does NOT provide primary electrical to sign location -  
**RESPONSIBILITY OF OTHERS!**

Customer Signature \_\_\_\_\_ Date \_\_\_\_\_  
 This design is the exclusive property of Signtech and cannot be reproduced in whole or in part, without their prior written approval.

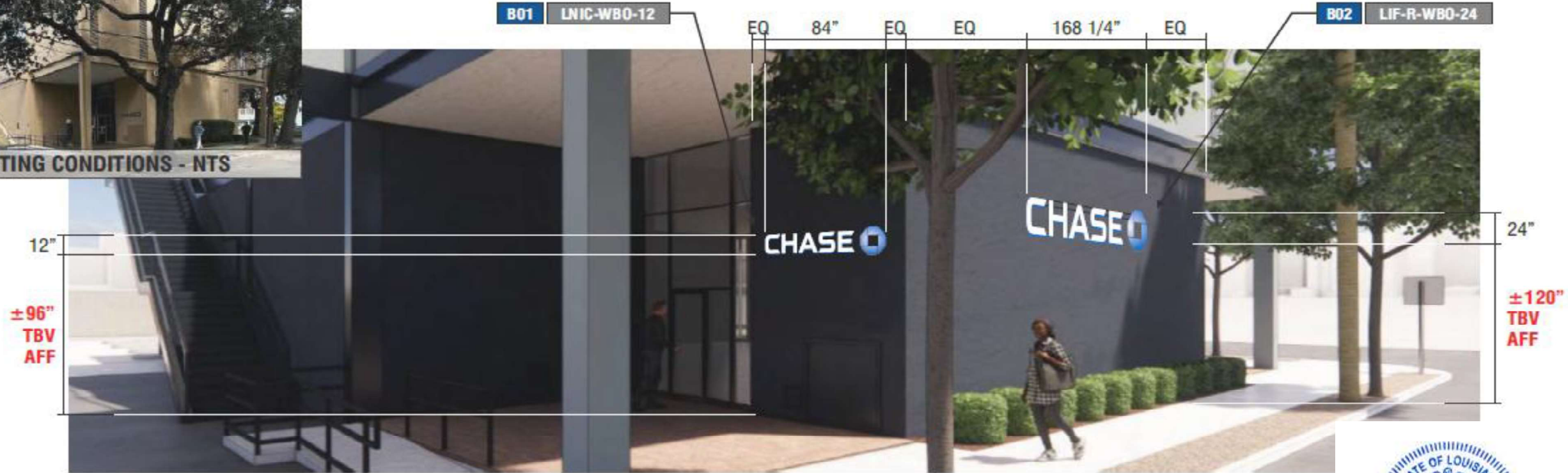
Drawing Number: 25-00444  
 Project ID: CHASE\_48200R017546\_1  
 Revision: R9: AS - 05/01/25

Page: \_\_\_\_\_

**ELEVATION - ALLOWABLE**



**SIGNAGE OVERVIEW - ALLOWED**



**SOUTHWEST ELEVATION - APPROX. SCALE: 3/16"=1'-0"**



**EAST ELEVATION - APPROX. SCALE: 3/32"=1'-0"**



**Signtech™**  
 4444 Federal Blvd. San Diego CA 92102  
 Phone: (619) 527-6100 / Fax: (619) 527-6111  
 signtech.com



**JP Morgan Chase Bank**  
**#48200R017546**

Broad Desoto - Exterior Refresh  
 1425 N Broad St  
 New Orleans, LA 70119

Initial Date: 02/24/25  
 Salesperson: Arthur Navarro  
 Coordinator: Lorena P Leon  
 Designer: ASena  
 Scale: As noted

**CUSTOMER APPROVAL**

Customer Signature \_\_\_\_\_ Date \_\_\_\_\_  
**COPY, COLORS & SIZES**

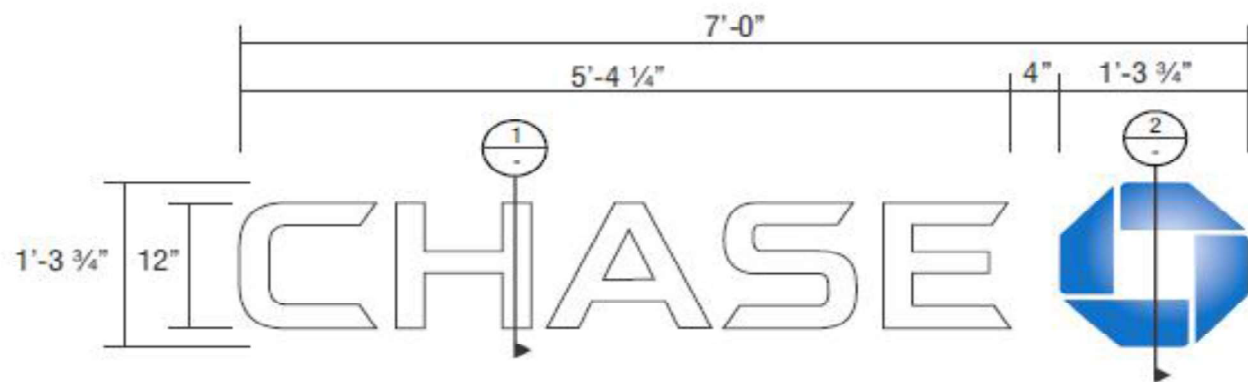
Signtech does NOT provide primary electrical to sign location - **RESPONSIBILITY OF OTHERS!**

Customer Signature \_\_\_\_\_ Date \_\_\_\_\_  
 This design is the exclusive property of Signtech and cannot be reproduced in whole or in part, without their prior written approval.

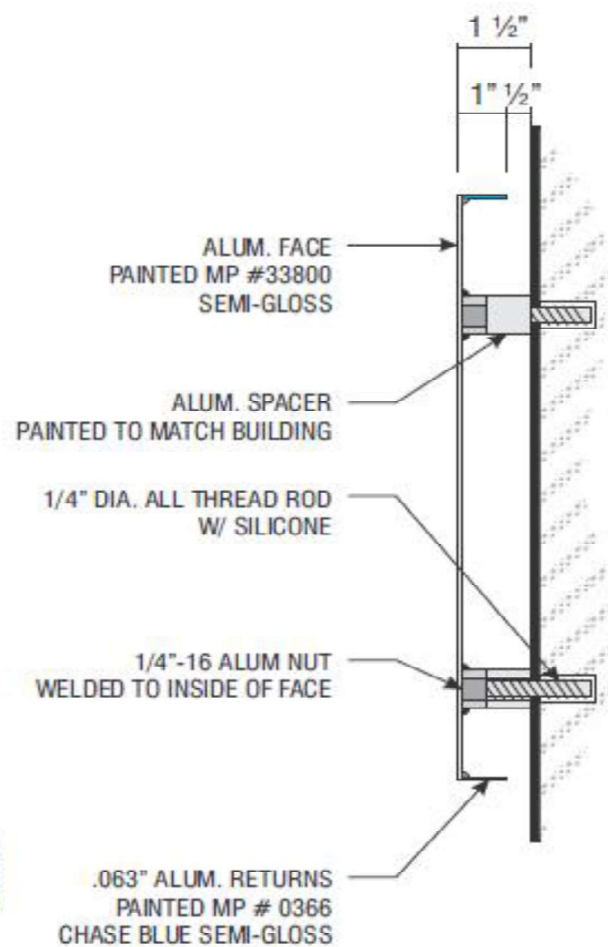
Drawing Number: 25-00444  
 Project ID: CHASE\_48200R017546\_1  
 Revision: R9: AS - 05/01/25

**Exterior Elevations**

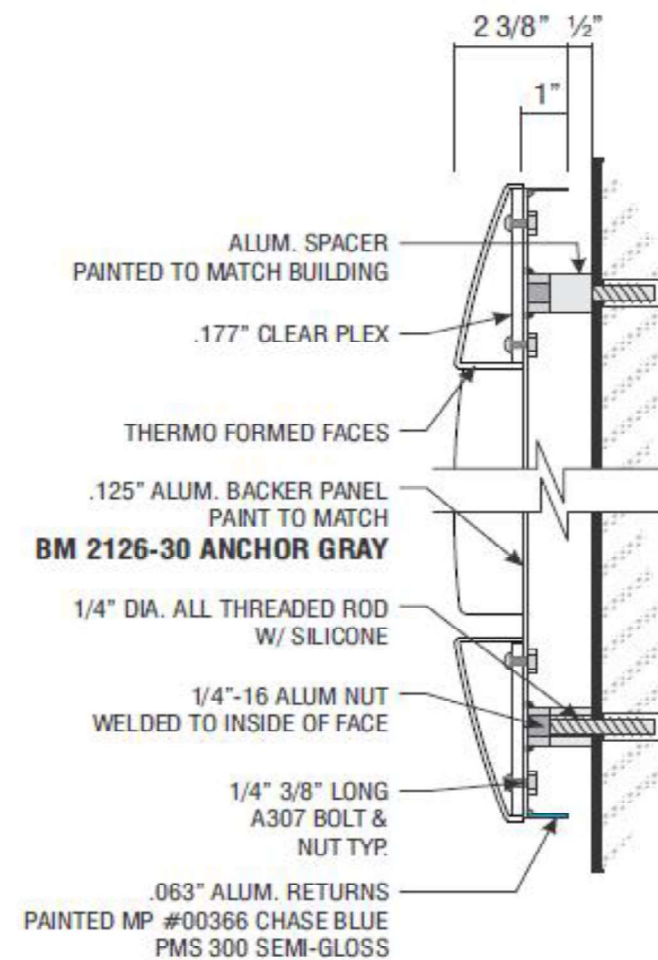
Page:



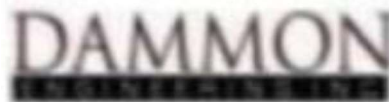
**FRONT VIEW** SCALE: 3/4" = 1'-0"



**1 LETTER SECTION DETAIL**  
SCALE 3" = 1'-0"



**2 OCTAGON SECTION DETAIL**  
SCALE 3" = 1'-0"



**B01**

**SIGN TYPE LNIC-WB0-12**

**MANUFACTURE AND INSTALL ONE (1) NON-ILLUMINATED SET OF CHANNEL LETTERS**



**Signtech™**

4444 Federal Blvd. San Diego CA 92102  
Phone: (619) 527-6100 / Fax: (619) 527-6111  
signtech.com



**JP Morgan Chase Bank**  
**#48200R017546**

Broad Desoto - Exterior Refresh  
1425 N Broad St  
New Orleans, LA 70119

Initial Date: 02/24/25  
Salesperson: Arthur Navarro  
Coordinator: Lorena P Leon  
Designer: ASena  
Scale: As noted

**CUSTOMER APPROVAL**

Customer Signature \_\_\_\_\_ Date \_\_\_\_\_  
**COPY, COLORS & SIZES**

Signtech does NOT provide primary electrical to sign location -  
**RESPONSIBILITY OF OTHERS!**

Customer Signature \_\_\_\_\_ Date \_\_\_\_\_

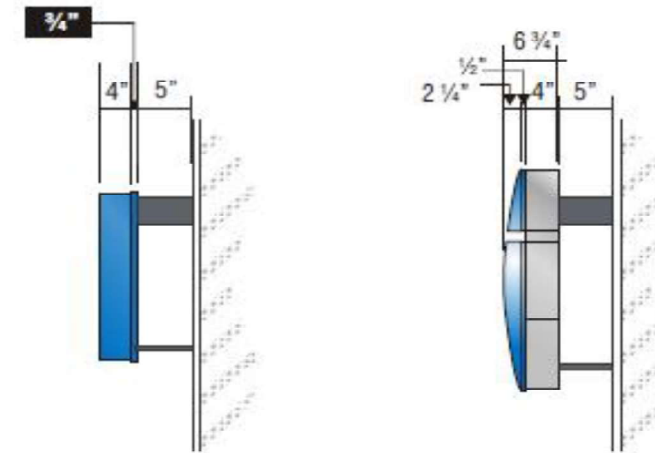
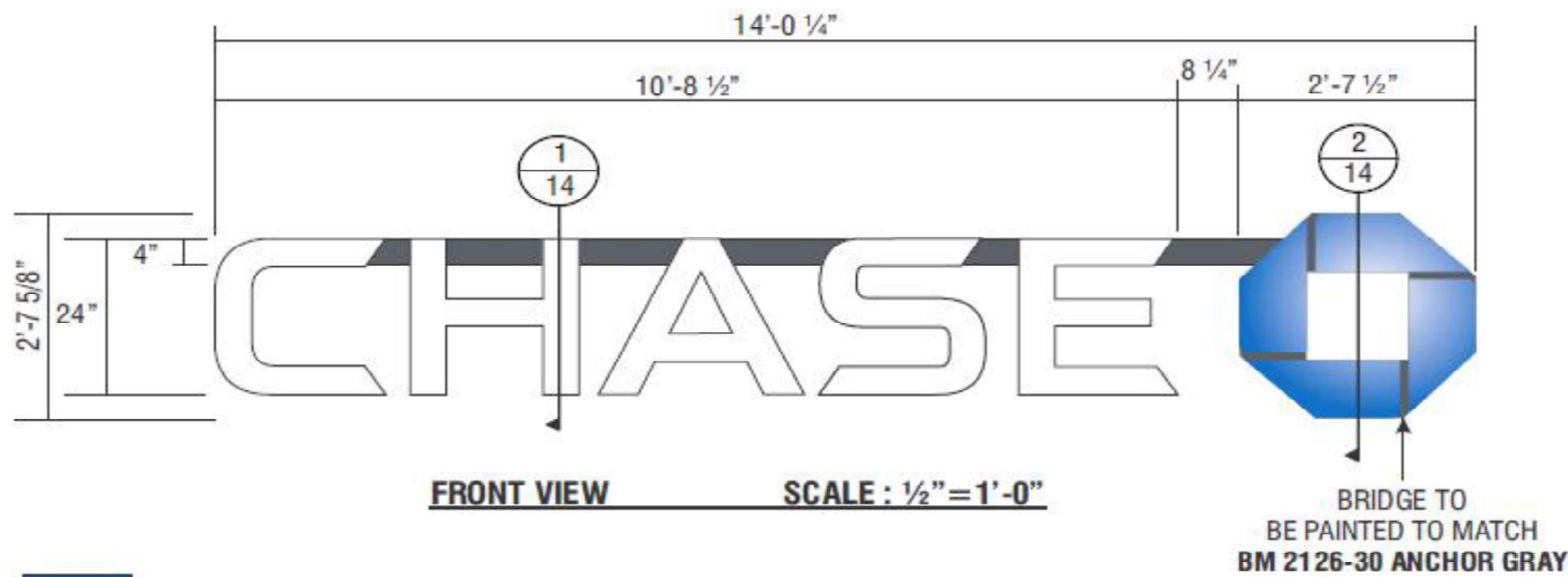
This design is the exclusive property of Signtech and cannot be reproduced in whole or in part, without their prior written approval.

Drawing Number: 25-00444

Project ID: CHASE\_48200R017546\_1

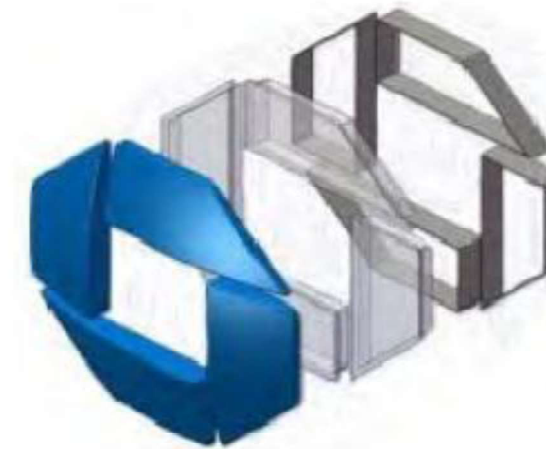
Revision: R9: AS - 05/01/25

Page:



**ENDVIEW  
OF LETTER**  
**SCALE: 1/2"=1'-0"**

**ENDVIEW  
OF LOGO**  
**SCALE: 1/2"=1'-0"**



**3D VIEW OF OCTAGON**

**B02**  
**SIGN TYPE LIF-R-WB0-24**

**MANUFACTURE AND INSTALL ONE (1) SET OF ILLUMINATED LETTERS & LOGO w/ PLEX FACES & RETURNS ON RACEWAY**

**LETTERS:**

- FACE:** .177" ARISTECH #7328 P-95 WHITE PLEX (MATTE SIDE TO BE 1ST SURFACE) CHEM WELDED TO RETURNS
- RETURNS:** 0.118" x 4" DEEP ARISTECH #6046 BLUE WITH 3635-70 DIFFUSER VINYL ON 2ND (INTERIOR) SURFACE.
- BACKS:** .080" ALUM BACK WITH 3/4" x .080" OUTSIDE ALUM RETURN AND 1/2" x 1/8" ALUM ANGLE CLIPS ON INTERIOR OF LETTER FOR FACE ATTACHMENT
- PAINT:** EXTERIOR PAINTED MATTHEWS MP-00366 CHASE BLUE SEMI-GLOSS FINISH (60-70 UNITS) AND INTERIOR PAINTED SPRAY-LAT STAR BRITE WHITE LIGHT ENHANCEMENT PAINT.
- ILLUMINATION:** SLOAN PRISM 7100K #701269-7WSJ1-MB WHITE LEDs AND SLOAN POWER SUPPLY REQUIRED FOR PROPER EVEN ILLUMINATION.

**LOGO:**

- BACKS:** .080" ALUM BACK WITH STACK WELDED 4" x .080" ALUM RETURNS.
- LOGO CAN FACE:** .080" ALUM BRIDGE ELEMENTS WELDED TO INSIDE & OUTSIDE RETURNS
- PLEX FACE:** .118" THERMO FORMED ARISTECH #6046 BLUE LOGO ELEMENTS CHEM WELDED TO 3/4" CLEAR PLEX 2ND SURFACE FACES.
- PAINT:** EXTERIOR PAINT MATTHEWS "CHASE NICKEL" #MP-19891 GLOSS FINISH AND INTERIOR PAINTED SPRAY-LAT STAR BRITE WHITE LIGHT ENHANCEMENT PAINT.
- ILLUMINATION:** SLOAN PRISM #701269-BLSJ1-MB BLUE LEDs AND SLOAN POWER SUPPLY AS REQUIRED FOR PROPER EVEN ILLUMINATION

- RACEWAY:** .063" BRAKE FORMED ALUM RACEWAY, SIGNTech LIBRARY #1014A
- RW FINISH:** PAINT TO MATCH THE BUILDING - **BM 2126-30 ANCHOR GRAY**
- INSTALL** LOWER PORTION OF LETTERS TO HAVE #10, TEK SCREWS AND SPACERS ATTACH TO WALL
- SPACERS FINISH:** SPACERS PAINTED TO MATCH THE BUILDING - **BM 2126-30 ANCHOR GRAY**

**ELECTRICAL REQUIREMENTS FOR LED ILLUMINATION**  
As required by standard #2161, Signtech Electrical Advertising, Inc., exclusively uses secondary Ground fault-Interrupted (GFI) transformers.  
Each Sign MUST have:  
- A dedicated branch circuit  
- Three wires: Line, Ground, and Neutral.  
- Wire Size: Min 12 GA THHN Copper Wire.  
NOTE: The gauge of the wire is dictated by the length of the run & amperage as per NEC Article 600.  
- The ground wire must be continuous & go from the sign to the panelboard ground bus.



4444 Federal Blvd. San Diego CA 92102  
Phone: (619) 527-6100 / Fax: (619) 527-6111  
signtech.com



**JP Morgan Chase Bank**  
**#48200R017546**

Broad Desoto - Exterior Refresh  
1425 N Broad St  
New Orleans, LA 70119

Initial Date: 02/24/25  
Salesperson: Arthur Navarro  
Coordinator: Lorena P Leon  
Designer: ASena  
Scale: As noted

**CUSTOMER APPROVAL**

Customer Signature \_\_\_\_\_ Date \_\_\_\_\_  
**COPY, COLORS & SIZES**

Signtech does NOT provide primary electrical to sign location - **RESPONSIBILITY OF OTHERS!**

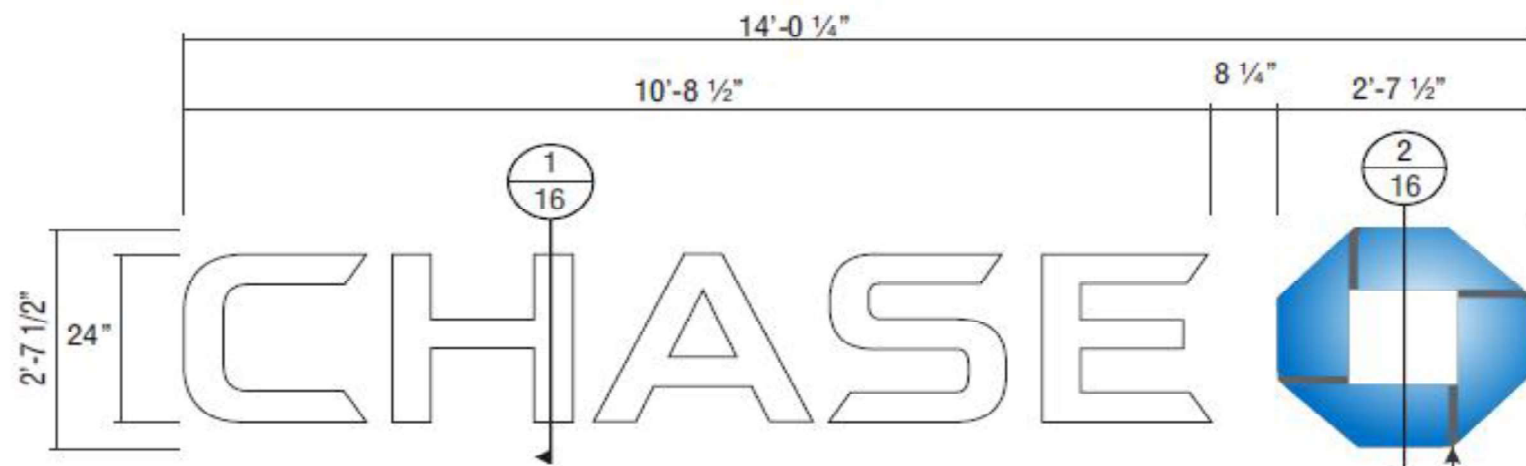
Customer Signature \_\_\_\_\_ Date \_\_\_\_\_  
This design is the exclusive property of Signtech and cannot be reproduced in whole or in part, without their prior written approval.

Drawing Number: 25-00444

Project ID: CHASE\_48200R017546\_1

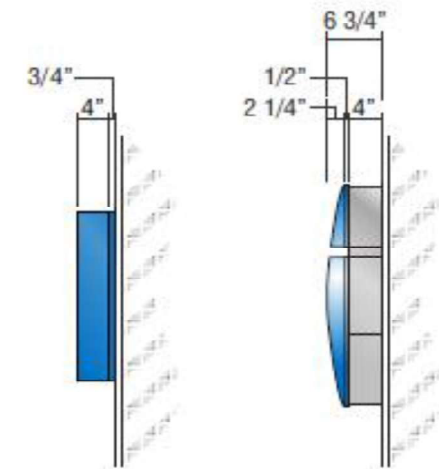
Revision: R9: AS - 05/01/25

Page:



**FRONT VIEW** SCALE: 1/2" = 1'-0"

BRIDGE TO BE PAINTED TO MATCH  
BM 2126-30 ANCHOR GRAY



**END VIEW OF LETTER**  
1/2" = 1'-0"

**END VIEW OF LOGO**  
1/2" = 1'-0"

**B03**

**SIGN TYPE** LIF-WB0-24

**MANUFACTURE AND INSTALL ONE (1) SET OF ILLUMINATED LETTERS & LOGO w/PLEX FACES & RETURNS**

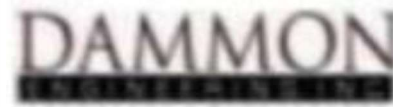
**LETTERS:**

- FACE:** .177" ARISTECH #7328 P-95 WHITE PLEX (MATTE SIDE TO BE 1ST SURFACE) CHEM WELDED TO RETURNS
- RETURNS:** 0.118" x 4" DEEP ARISTECH #6046 BLUE WITH 3635-70 DIFFUSER VINYL ON 2ND (INTERIOR) SURFACE.
- BACKS:** .080" ALUM BACK WITH 3/4" x .080" OUTSIDE ALUM RETURN AND 1/2" x 1/8" ALUM ANGLE CLIPS ON INTERIOR OF LETTER FOR FACE ATTACHMENT
- PAINT:** EXTERIOR PAINTED MATTHEWS MP-00366 CHASE BLUE SEMI-GLOSS FINISH (60-70 UNITS) AND INTERIOR PAINTED SPRAY-LAT STAR BRITE WHITE LIGHT ENHANCEMENT PAINT.
- ILLUMINATION:** SLOAN PRISM 7100K #701269-7WSJ1-MB WHITE LEDs AND SLOAN POWER SUPPLY REQUIRED FOR PROPER EVEN ILLUMINATION.

**LOGO:**

- BACKS:** .080" ALUM BACK WITH STACK WELDED 4" x .080" ALUM RETURNS.
- LOGO CAN FACE:** .080" ALUM BRIDGE ELEMENTS WELDED TO INSIDE & OUTSIDE RETURNS
- PLEX FACE:** .118" THERMO FORMED ARISTECH #6046 BLUE LOGO ELEMENTS CHEM WELDED TO 3/4" CLEAR PLEX 2ND SURFACE FACES.
- PAINT:** EXTERIOR PAINT MATTHEWS "CHASE NICKEL" #MP-19891 GLOSS FINISH AND INTERIOR PAINTED SPRAY-LAT STAR BRITE WHITE LIGHT ENHANCEMENT PAINT.
- ILLUMINATION:** SLOAN PRISM #701269-BLSJ1-MB BLUE LEDs AND SLOAN POWER SUPPLY AS REQUIRED FOR PROPER EVEN ILLUMINATION

**ELECTRICAL REQUIREMENTS FOR LED ILLUMINATION**  
As required by standard #2161, Signtech Electrical Advertising, Inc., exclusively uses secondary Ground fault-Interrupted (GFI) transformers.  
Each Sign MUST have: - A dedicated branch circuit  
- Three wires: Line, Ground, and Neutral.  
- Wire Size: Min 12 GA THHN Copper Wire.  
NOTE: The gauge of the wire is dictated by the length of the run & amperage as per NEC Article 600.  
- The ground wire must be continuous & go from the sign to the panelboard ground bus.



**3D VIEW OF OCTAGON**

**ALL EXPOSED FASTENER HEADS SHALL BE PAINTED TO MATCH THE EXTERIOR SURFACE FINISH**



**Signtech™**

4444 Federal Blvd. San Diego CA 92102  
Phone: (619) 527-6100 / Fax: (619) 527-6111  
signtech.com



**JP Morgan Chase Bank**  
#48200R017546

Broad Desoto - Exterior Refresh  
1425 N Broad St  
New Orleans, LA 70119

Initial Date: 02/24/25  
Salesperson: Arthur Navarro  
Coordinator: Lorena P Leon  
Designer: ASena  
Scale: As noted

**CUSTOMER APPROVAL**

Customer Signature \_\_\_\_\_ Date \_\_\_\_\_  
**COPY, COLORS & SIZES**

Signtech does NOT provide primary electrical to sign location - **RESPONSIBILITY OF OTHERS!**

Customer Signature \_\_\_\_\_ Date \_\_\_\_\_

This design is the exclusive property of Signtech and cannot be reproduced in whole or in part, without their prior written approval.

Drawing Number: 25-00444

Project ID: CHASE\_48200R017546\_1

Revision: R9: AS - 05/01/25

Page: