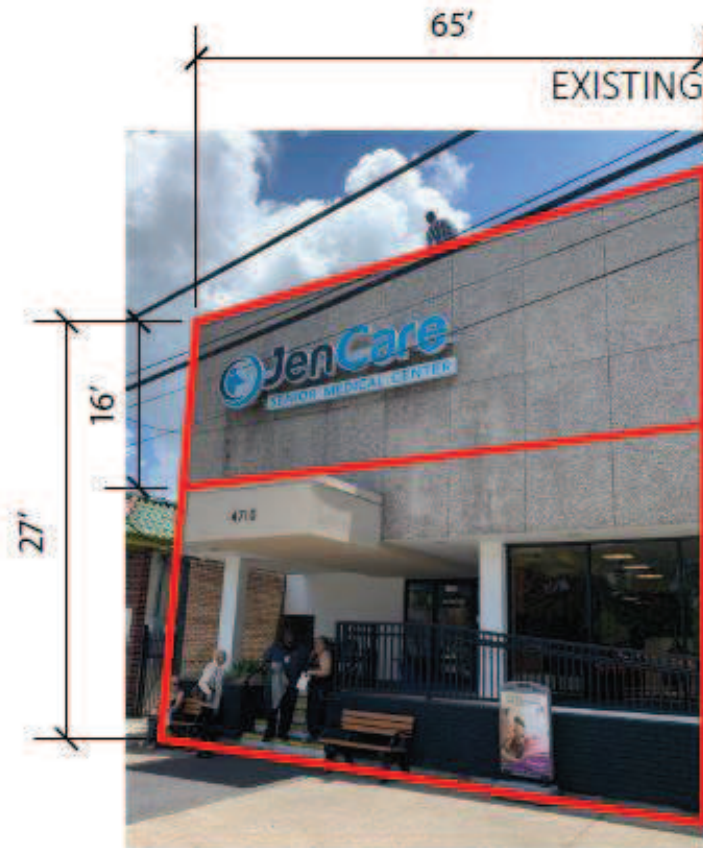


EXTERIOR BRANDING | CHANNEL LETTERS | HORIZONTAL | RACEWAY MOUNTED

A1-2



- A1 Remove and dispose of existing lettersets. Patch and Paint from previous signage.
- A2 Install Qty (1) ONE NEW Black Day/WhiteNight channel letters with logo on front. Letters raceway mount.

Allowed SF: 60  
Proposed SF: 57.67

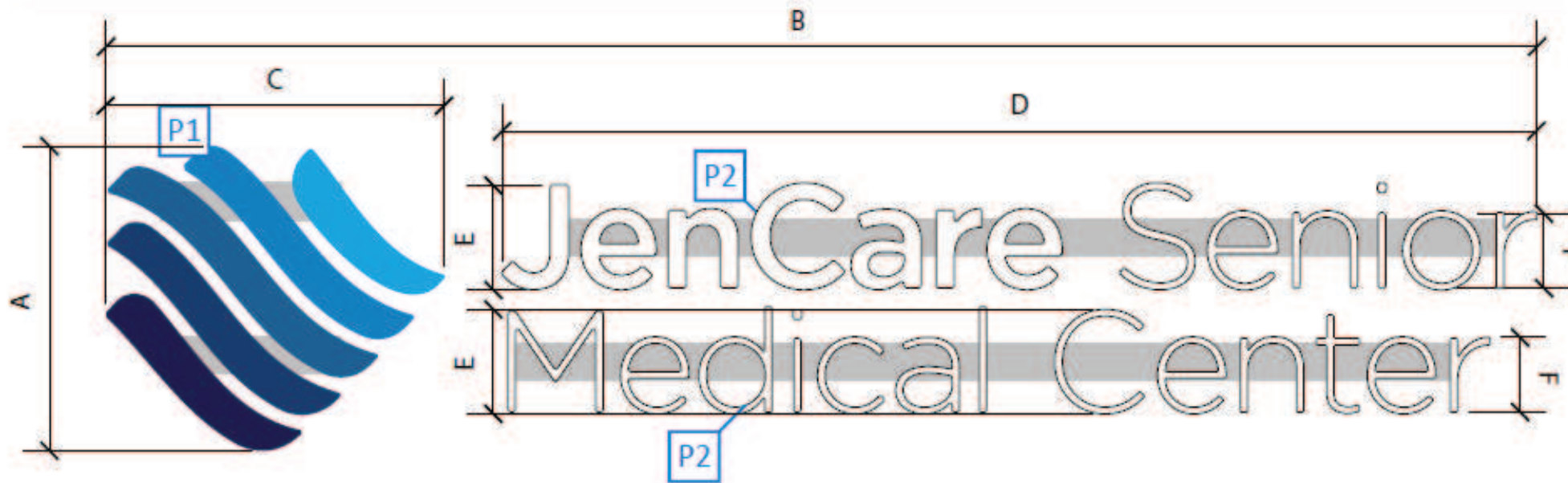
- \*This sign is designed to withstand 130 MPH wind load.
- \*This sign will contain a UL label.
- \*This sign is to be installed using 3/8" thru-bolts or appropriately sized hardware as necessary.
- \*Channel letters are to be attached to raceway using typical non-corrosive screw in anchors.



S Carrollton Ave: 60 Linear Feet  
Cleveland Ave: 160 Linear Feet

CODE NOTE:  
Wall Signs- 15F per Linear Feet of frontage

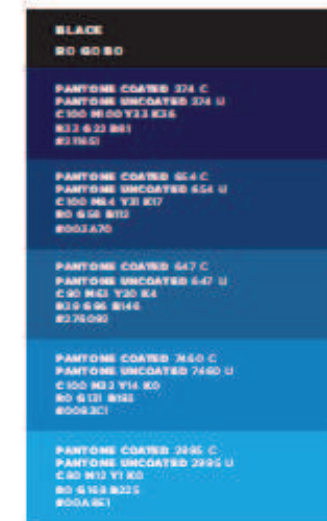
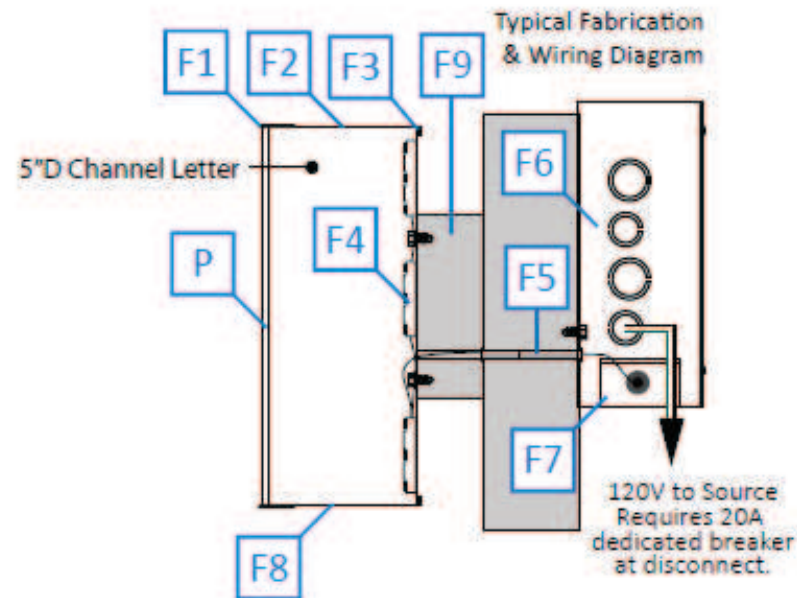
EXTERIOR BRANDING | CHANNEL LETTERS | HORIZONTAL | RACEWAY MOUNTED



	Overall Height A	Overall Width B	Icon Width C	Copy Width D	Upper Case "C" E	Lower case "r" F	Minimum Stroke "I"	Square Footage Box Measured
4'H Horizontal	3'-6"	16'-5 3/4"	3'-10 13/16"	11'-11"	1'-2 1/16"	10 3/4"	1 1/8"	57.67

Face-Lit Channel Letter Set  
Raceway Mounted

- P1 1st surface digitally printed 1/8" white acrylic with color to match ChenMed approved color menu.
- P2 1/8" white acrylic with Day/Night Vinyl applied to 1st surface.
- F1 1" Trimcap attached to return w/#8 Metal screw every 12" Minimum. Black
- F2 .040 Aluminum returns. Painted Semi-Gloss Black.
- F3 .063 Aluminum Backer
- F4 12V Principle LED's Suitable for wet locations
- F5 Weather proof Pass thru for low voltage wire
- F6 Electrical Box
- F7 LED Premium Power Supply. IP68 Waterproof 120-277
- F8 Weep Holes
- F9 6"H X 2" Deep Raceway painted to match building fascia.



- \*This sign is designed to withstand 130 MPH wind load.
- \*This sign will contain a UL label.
- \*This sign is to be installed using 3/8" thru-bolts or appropriately sized hardware as necessary.
- \*Channel letters are to be attached to raceway using typical non-corrosive screw in anchors.

