

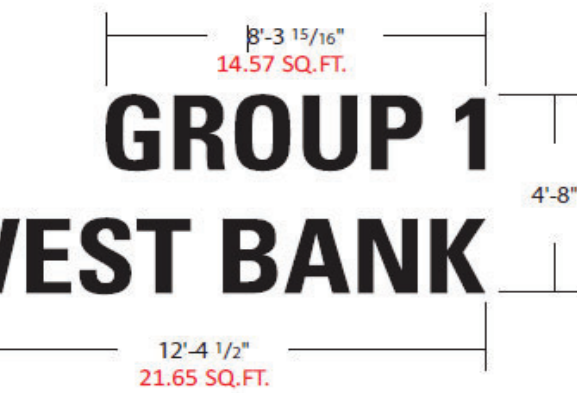


3800 Lapalco Blvd Harvey, LA 70058

- Proposed Building Sign Placement



B315-8BC580483BE7



**Specifications**

**PDNN-21 Non-illuminated Molded Letters**  
Molded black acrylic letters - 1 1/2" Profile  
Offset glass portal 1/4"

Univers 67 Condensed - Bold

**Colors**

■ Molded black acrylic letters



**Project ID**  
**LM2-66965**

17062  
Bohn Toyota  
3800 Lapalco Blvd.  
Harvey, LA

**Sign Item**  
PDNN-21

Date: 14-AUG-2025  
Scale: 1/4"=1'-0"  
Contact: L.Milligan  
Designer: C.Sabatino

**Revision Note**

R1: 08-15-2025  
Revised to PDNN-21  
Removed "TEXAS" from  
dealer name.

**Information Required  
for Production**

DocuSigned by:  
Customer Approval

**NEW DEALER NAME CHANGE**

**PDNN-21**

Letters aligned with red band  
Letters 10" above red band

166'-10 1/2"

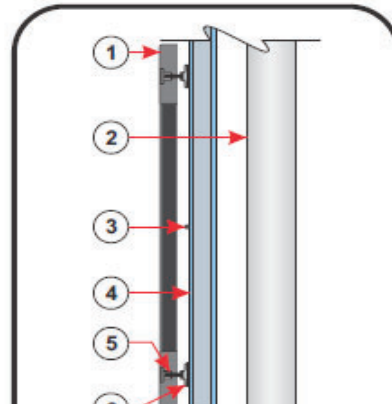
**C D E F G H I**  
**L M N O P Q**  
**T U V W X Y Z**

UPPER CASE

LOWER CASE

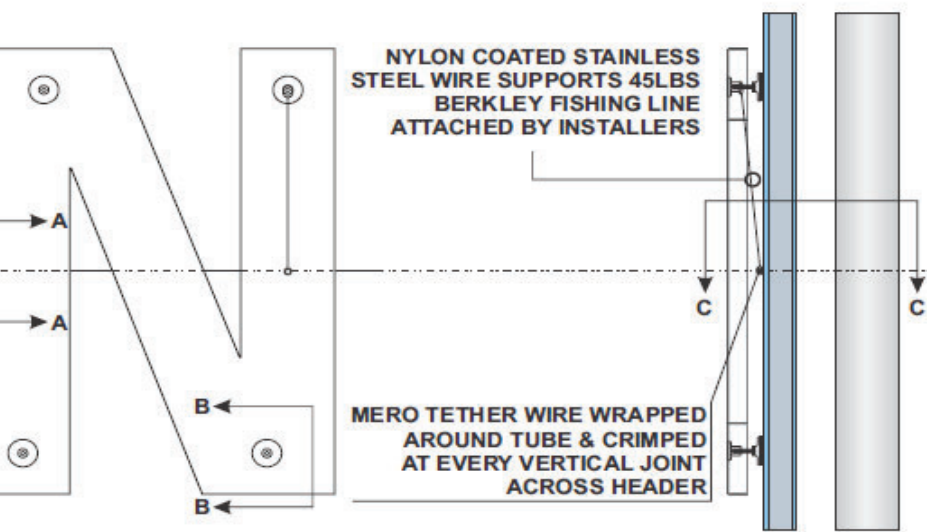


<b>TOY1CXEX011</b>	
<b>NON-ILLUMINATED LETTERS 21"</b>	
Installation:	<input type="checkbox"/> Interior: <input checked="" type="checkbox"/> Exterior:
Electrical specifications:	
Volts:	<input type="text" value="N/A"/> Amp.: <input type="text" value="N/A"/> Circ.: <input type="text" value="N/A"/>
#	Descriptions:
1	MOLDED BLACK ACRYLIC LETTERS 1 1/4" PROFILE
2	STEEL STRUCTURE (BY OTHER)
3	TETHER WIRE WRAPPED AROUND TUBE & CRIMPED AT EVERY VERTICAL JOINT ACROSS HEADER (BY OTHER)
4	TRANSLUCENT GLASS (BY OTHER)
5	SIGN ATTACHMENT RECEPTACLE
6	CIRCULAR BASE PEDESTAL
#	Colors:
A	PRE COLORED BLACK

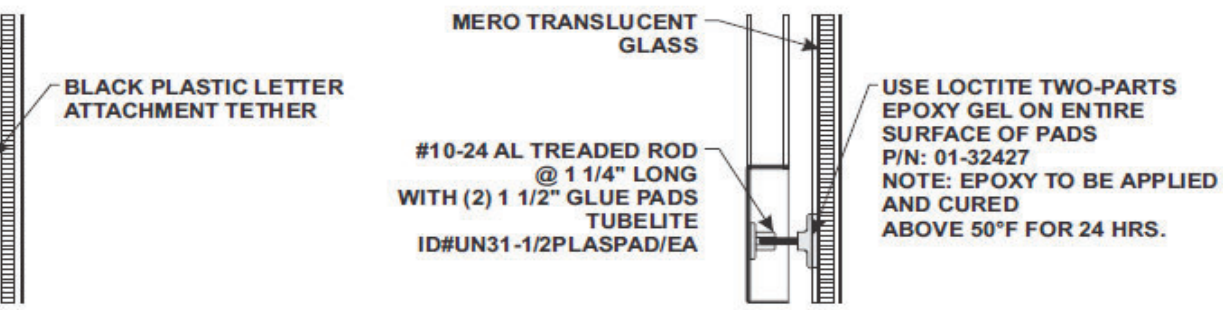


**DAMMON**  
**ENGINEERING, INC.**  
LOUISIANA & MISSISSIPPI  
Slidell, Louisiana Ph: 985-649-5832 Fax: 985-641-5950 www.dammonengineering.com info@dammonengineering.com

#	Revision(s)	By:	Date:
4	ADDED INFO FOR LOWER	AGM	02-27-2013



**NON ILLUMINATED DEALERNAME LETTER INSTALLATION**



**TOY1CXEX011**

**NON-ILLUMINATED LETTERS 21"**

Installation:  Interior:  Exterior:

Electrical specifications:

Volts:  Amp.:  Circ.:

**DAMMON**  
ENGINEERING, INC.

LOUISIANA & MISSISSIPPI

5104LLouisiana Ph: 985-649-5832 Fax: 985-641-9950  
www.dammonengineering.com info@dammonengineering.com

