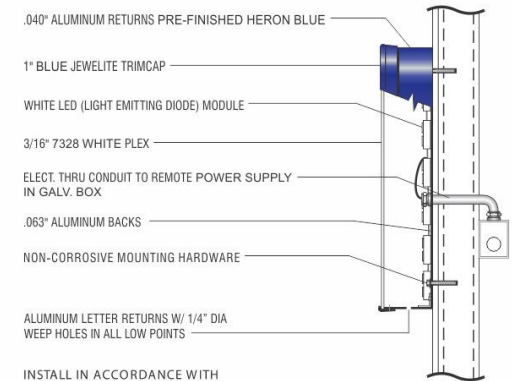




PHOTO NOT TO PAGE SCALE

**Vinyl Schedule**

- Trans. Blue
- Trans. Dark Red



INSTALL IN ACCORDANCE WITH NATIONAL ELECTRICAL CODES

**INDIVIDUAL CHANNEL LETTERS (REMOTE POWER SUPPLIES)**

NOT TO SCALE

SIGN TYPE: Mfg. & install (1) set of channel letters as shown above onto buildings Front Elevation shown left in photo...

FACES: 3/16" White Plex

VINYL: 3M Trans. Blue, Dark Red w/ 1" White inline

RETURNS: All .040 Heron Blue

BACKS: All .063 Mill Finish Aluminum

TRIMCAP: 1" Blue

LED: White



**COLORS REPRESENTED ON THIS PRINT MAY NOT MATCH THE PMS CHIP, VINYL OR PAINT COLORS EXACTLY** it is to be viewed as a color representation only.

Project Information:			
Client:	Bent's RV	Designer:	Grant Tingley
Location:	8057 Airline Dr. Metairie, LA	Drawing No.:	A Page: _____
Project:	Flush Mounted Channel Letters	Scale:	1/2" = 1'-0"
Sales Rep:	Douglas Parfait	Date:	07/08/2018
Bid No.:	_____	Revision:	By: _____ Date: _____



8399 Florida Blvd. • Denham Springs, LA 70729  
Phone: (225)664-7962 • Fax: (225)665-4945

**Additional Notes:**

1. STRUCTURAL STEEL WILL BE ASTM-A36.
2. STEEL LESS THAN 1/4" THICK WILL BE GALVANIZED.
3. ALL STRUCTURAL STEEL TO BE PAINTED W/ TWO COATS OF RUST INHIBITING PAINT UNLESS GALVANIZED.
4. ALL CONNECTIONS WILL BE 1/2" DIAMETER BOLTS UNLESS NOTED.
5. PLASTIC SIGN FACES TO BE FORMED OF SLOW BURNING MATERIALS.
6. COMPLETED SIGN WILL BEAR ALL LABEL.
7. SIGN WILL BE LOCATED A MINIMUM OF 6" FROM BACK OF CURB.
8. BOTTOM OF SIGN WILL BE LOCATED A MINIMUM OF 4" ABOVE GRADE.
9. SIGN WILL BE FABRICATED AND INSTALLED TO WITHSTAND A MINIMUM WINDLOAD OF 130 M.P.H. @ 3 SEC. GUSTS IN ACCORDANCE W/ 2012 I.B.C.

Property of Jones Signs LLC, - Do Not Duplicate. This concept and artwork is the exclusive property of Jones Signs LLC, and is for the sole purpose of viewing by recipient. It is not to be released to outside parties. If no contact is initiated with Jones Signs LLC, this concept and artwork is to be returned in full. Any duplication and/or copying of these drawings in part or whole is prohibited. Any violation of these terms will result in penalties and prosecution under current copyright laws and/or be subject to full reimbursement of any and all associated design and production fees.

Approved By: \_\_\_\_\_ Date: \_\_\_\_/\_\_\_\_/2018