

PILING NOTES

1. PILES ARE TO BE CLASS B MODIFIED AND ALL PILES ARE TO BE 40 FT. IN LENGTH WITH A 8 INCH TIP AND 12" BUTT.
2. ALL PILES SHALL BE PRESSURE-TREATED ROUND TIMBER PILES CONFORMING TO ASTM D25.
2. DESIGN LOAD = 6 TONS PER PILE.
3. NO FIELD SUPERVISION OR INSPECTION PROVIDED UNDER THIS SEAL UNLESS OTHERWISE NOTED.
4. PILE LAYOUT MAY BE MODIFIED DUE TO ACTUAL DRIVING CONDITIONS. ENGINEER TO BE NOTIFIED ON ANY MODIFICATION.
6. A PILE BLOW COUNT LOG OF ALL PILES IS TO BE SUBMITTED TO THE ENGINEER OF RECORD. FAILURE TO SUBMIT SAID LOG WILL RELEASE THE ENGINEER OF ALL RESPONSIBILITY.
7. CONTRACTOR IS RESPONSIBLE FOR THE COMPARISON & VERIFICATION OF PILE LAYOUT DIMENSIONS WITH MOST RECENT ARCHITECTURAL DRAWINGS, ASSURING THAT PILES DO FALL WITHIN LIMITS OF THE DESIGN
8. USE DROP HAMMER OR SINGLE ACTING AIR HAMMER DELIVERING 7,500 FT-LBS OF ENERGY PER BLOW, RAM WEIGHT OF DROP HAMMER SHALL NOT EXCEED 2,500 TO 3,000 LBS AND THE DROP SHOULD NOT EXCEED 3 FT., AT MINIMUM OF 25 BLOWS PER FOOT. IF THE DROP EXCEEDS 3 FT., CONTACT ENGINEER FOR INSTRUCTIONS.

NOTES

1. ALL CONVENTIONAL REINFORCING STEEL SHALL MEET ASTM-A615 (GRADE 60)
2. DO NOT WELD ON REINFORCING STEEL. SECURELY CROSS-TIE THE VERTICAL AND SPIRAL REINFORCEMENT WITH DOUBLE WIRE. SUPPORT OR HOLD DOWN THE CAGE SO THAT THE VERTICAL DISPLACEMENT DURING CONCRETE PLACEMENT AND CASING EXTRACTION DOES NOT EXCEED 6 IN.

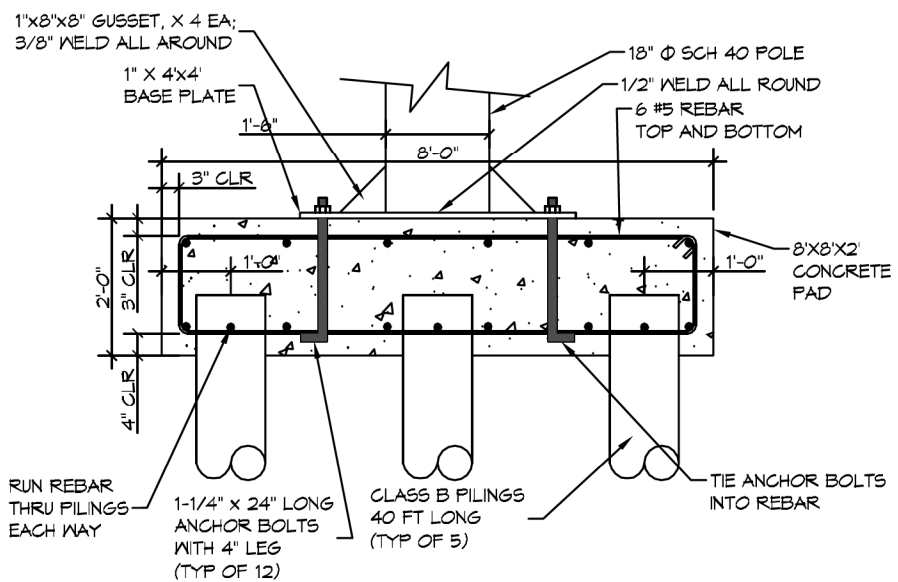
DAMMON
ENGINEERING, INC.
LOUISIANA & MISSISSIPPI

www.dammonengineering.com
info@dammonengineering.com
PH: 985-649-9832

Chief Engineer: Brian Mistich, PE
554 Old Spanish Trail
Slidell, LA 70688

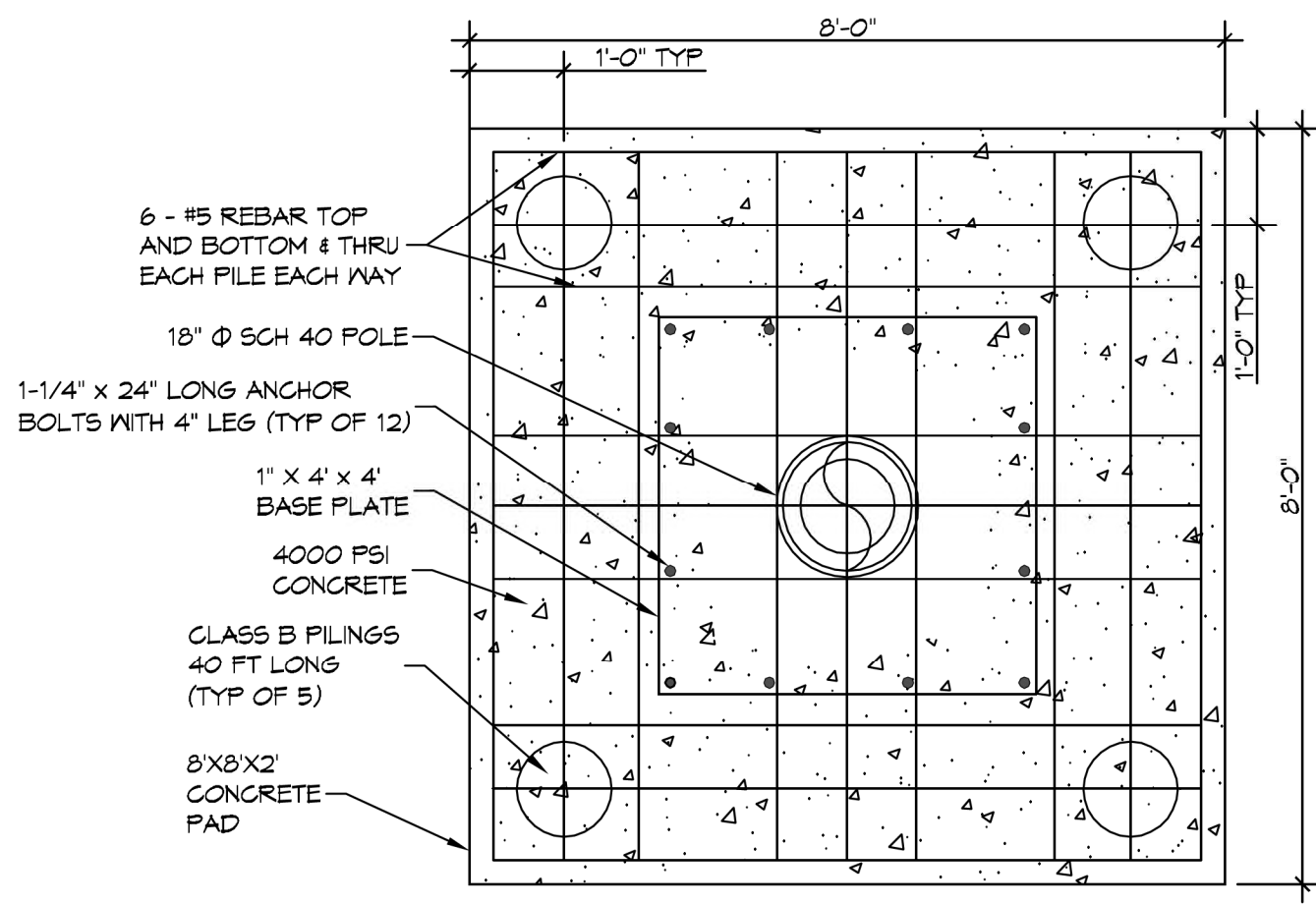
#	DESCRIPTION	DATE
1	FOUNDATION REVISED FOR PILING	6/19/19

SEAL:



1 POLE FOUNDATION PLAN
SCALE: 3/8" = 1'-0"

SECTION



2 FOUNDATION PLAN
SCALE: 1/2" = 1'-0"

PLAN

FOUNDATION FOR SIGN
BROTHERS SIGN
THE BEHRMAN HWY
TERRY TOWN, LA

JOB No: 2019 DATE: 05-01-2019
DRAWN BY: CAD CHECKED BY: BAM

SHEET TITLE:
SIGN FOUNDATION

DRAWING NUMBER:
SK-1

SHEET No: 1 of 1