

TABLE S601.7 - UPLIFT CONNECTIONS - 140 MPH WINDS EXP "B"
NFCM 2015 TABLE 3.2

CONNECTION	FRAMING SPACING (INCHES)	ROOF SPAN (FEET)	UPLIFT	LATERAL	SHEAR	NUMBER OF 8d COMMON NAILS OR 10d BOX NAILS IN EACH END OF 1-1/4" X 20 GAUGE STRAP
ROOF ASSEMBLY TO WALL ASSEMBLY	16" OC	16	401	292	152R	4
WALL ASSEMBLY TO FOUNDATION	16" OC	16	224	219	436	4

TABLE S601.8 - SILL OR BOTTOM PLATE TO FOUNDATION CONNECTIONS RESISTING UPLIFT LOADS - 140 MPH WIND EXP "B"
NFCM 2015 TABLE 3.2C

BOTTOM PLATE TO FOUNDATION ANCHOR BOLT CONNECTION RESISTING	FOUNDATION SUPPORTING	MAXIMUM ANCHOR BOLT SPACING (INCHES)	
		8' END ZONES	INTERIOR ZONES
UPLIFT LOADS	1 - 3 STORIES	25 INCHES ON CENTER	30 INCHES ON CENTER

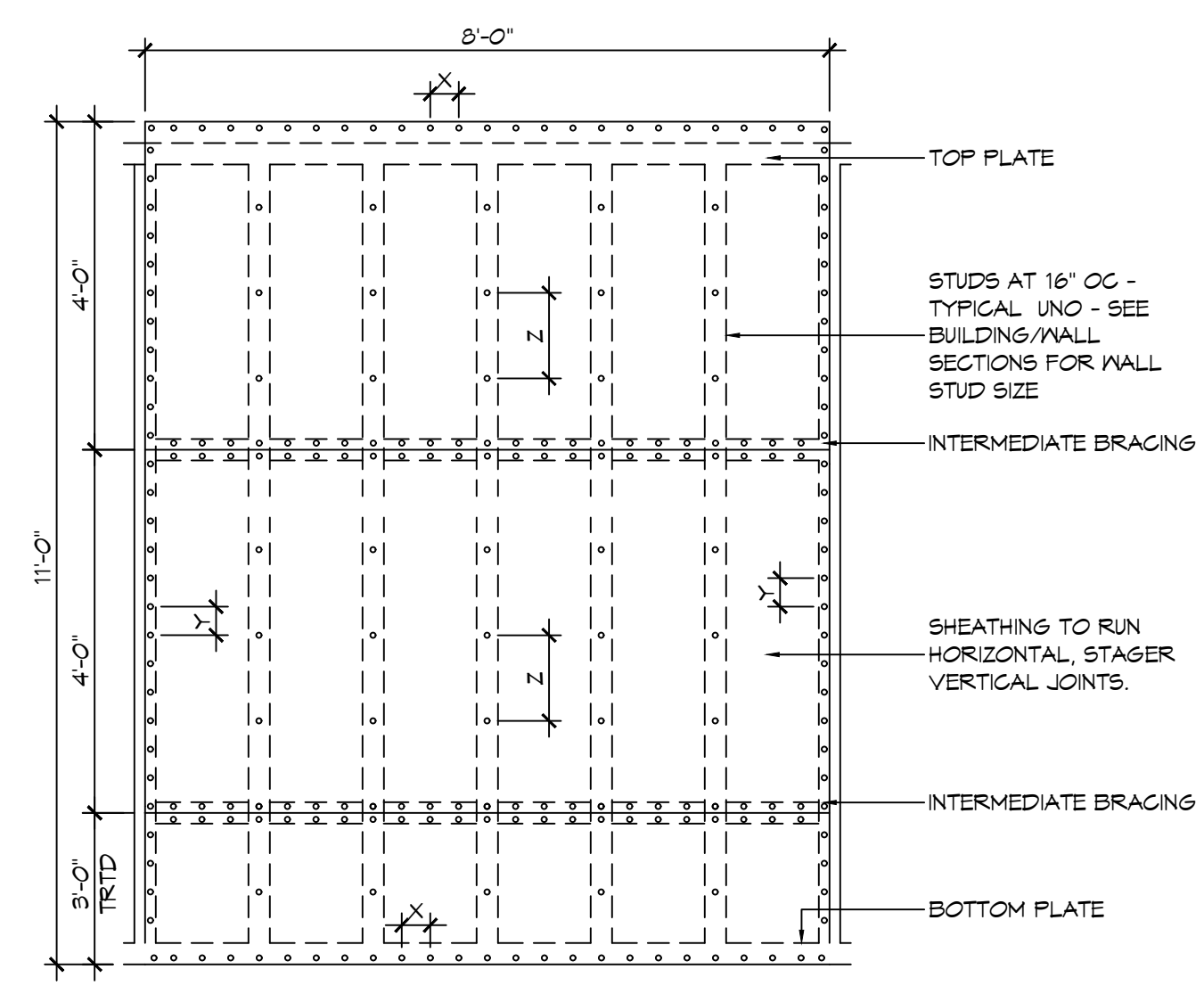
NOTE: A MINIMUM OF ONE ANCHOR BOLT SHALL BE PROVIDED WITHIN 6 TO 12 INCHES OF EACH END OF EACH PLATE

TABLE S601.9 - SILL OR BOTTOM PLATE TO FOUNDATION CONNECTIONS RESISTING SHEAR LOADS - 140 MPH WIND EXP "B"
NFCM 2015 TABLE 3.2B

BOTTOM PLATE TO FOUNDATION ANCHOR BOLT CONNECTION RESISTING	FOUNDATION SUPPORTING	MAXIMUM ANCHOR BOLT SPACING (INCHES)	
		5/8" Ø ANCHOR BOLTS	48 INCHES ON CENTER W/3X3X1/4" WASHER
UPLIFT LOADS	4 STORY		

TABLE S601.10 - FULL HEIGHT STUD REQUIREMENT FOR HEADERS OR WINDOW SILL PLATES IN EXTERIOR WALLS EXPOSURE "B"
NFCM 2015 TABLE 3.23C

HEADER SPAN (FEET)	WALL SPACING (INCHES)		
	12" O.C.	16" O.C.	24" O.C.
2	1	1	1
4	2	2	1
6	3	3	2
8	4	3	2



NAIL SPACING
X = 4" OC
Y = 4" OC
Z = 12" OC

X = PLATE EDGE NAIL SPACING
Y = LONG EDGE NAIL SPACING
Z = FIELD NAIL SPACING

INTERIOR SHEATHING
1/2" PLYWOOD EACH FACE STAGGERED 48" O.C. W/8d NAILS @ 4" O.C. FASTENING @ PANEL EDGES 8d NAILS @ 12" O.C. FASTENING @ INTERMEDIATE MEMBERS.

EXTERIOR SHEATHING
5/8" PLYWOOD EACH FACE STAGGERED 48" O.C. W/8d NAILS @ 4" O.C. FASTENING @ PANEL EDGES 8d NAILS @ 12" O.C. FASTENING @ INTERMEDIATE MEMBERS.

H SHEAR WALL EXTERIOR SHEATHING NAILING PATTERN

TABLE S601.5 - JACK STUD REQ - INT LOADBEARING WALLS
NFCM 2021 TABLE 3.22F

HEADER SUPPORTING	HEADER SPAN (FT)	ROOF SPAN (FEET)											
		12 FEET				24 FEET				36 FEET			
		3"	4.5"	5"	6.5"	3"	4.5"	5"	6.5"	3"	4.5"	5"	6"
ONE FLOOR ONLY (CENTER BEARING)	2	1	1	1	1	1	1	1	1	1	1	1	1
	4	1	1	1	1	1	1	1	1	1	1	1	1
	6	1	1	1	1	1	1	1	1	2	1	1	1
	8	1	1	1	1	2	1	1	1	2	2	2	1
	10	1	1	1	1	2	2	1	1	3	2	2	2
	12	1	1	1	1	2	2	2	1	3	2	2	2
	14	2	1	1	1	3	2	2	2	4	3	3	2
TWO FLOORS (CENTER BEARING)	2	1	1	1	1	1	1	1	1	2	1	1	1
	4	1	1	1	1	2	1	1	1	3	2	2	2
	6	2	1	1	1	3	2	2	2	4	3	2	2
	8	2	2	1	1	3	2	2	2	5	3	3	3
	10	2	2	2	1	4	3	3	2	6	4	4	3
	12	3	2	2	2	5	3	3	3	7	5	4	4
	14	3	2	2	2	6	4	4	3	8	5	5	4
16	4	3	2	2	6	4	4	3	9	6	6	5	

TABLE S601.6 - JACK STUD REQ - EXTERIOR LOADBEARING WALLS
NFCM 2021 TABLE 3.22F

ROOF AND CEILING	HEADER SPAN (FT)	ROOF LIVE LOAD 20 PSF									
		3"				4.5"					
		3"	4.5"	5"	6.5"	3"	4.5"	5"	6.5"		
ROOF AND CEILING	2	1	1	1	1	1	1	1	1	1	1
	4	1	1	1	1	1	1	1	1	1	1
	6	2	1	1	1	2	1	1	1	1	1
	8	2	2	2	1	2	2	2	2	1	1
	10	3	2	2	2	3	2	2	2	2	2
	12	3	2	2	2	3	2	2	2	2	2
	14	4	3	2	2	4	3	2	2	2	2
ROOF, CEILING, AND ONE CENTER BEARING FLOOR	2	1	1	1	1	1	1	1	1	1	1
	4	2	1	1	1	2	1	1	1	1	1
	6	2	2	2	1	3	2	2	2	2	2
	8	3	2	2	2	3	2	2	2	2	2
	10	4	3	2	2	4	3	3	2	2	2
	12	4	3	3	2	5	3	3	3	3	3
	14	5	4	3	3	5	4	3	3	3	3
16	6	4	4	3	6	4	4	3	3	3	

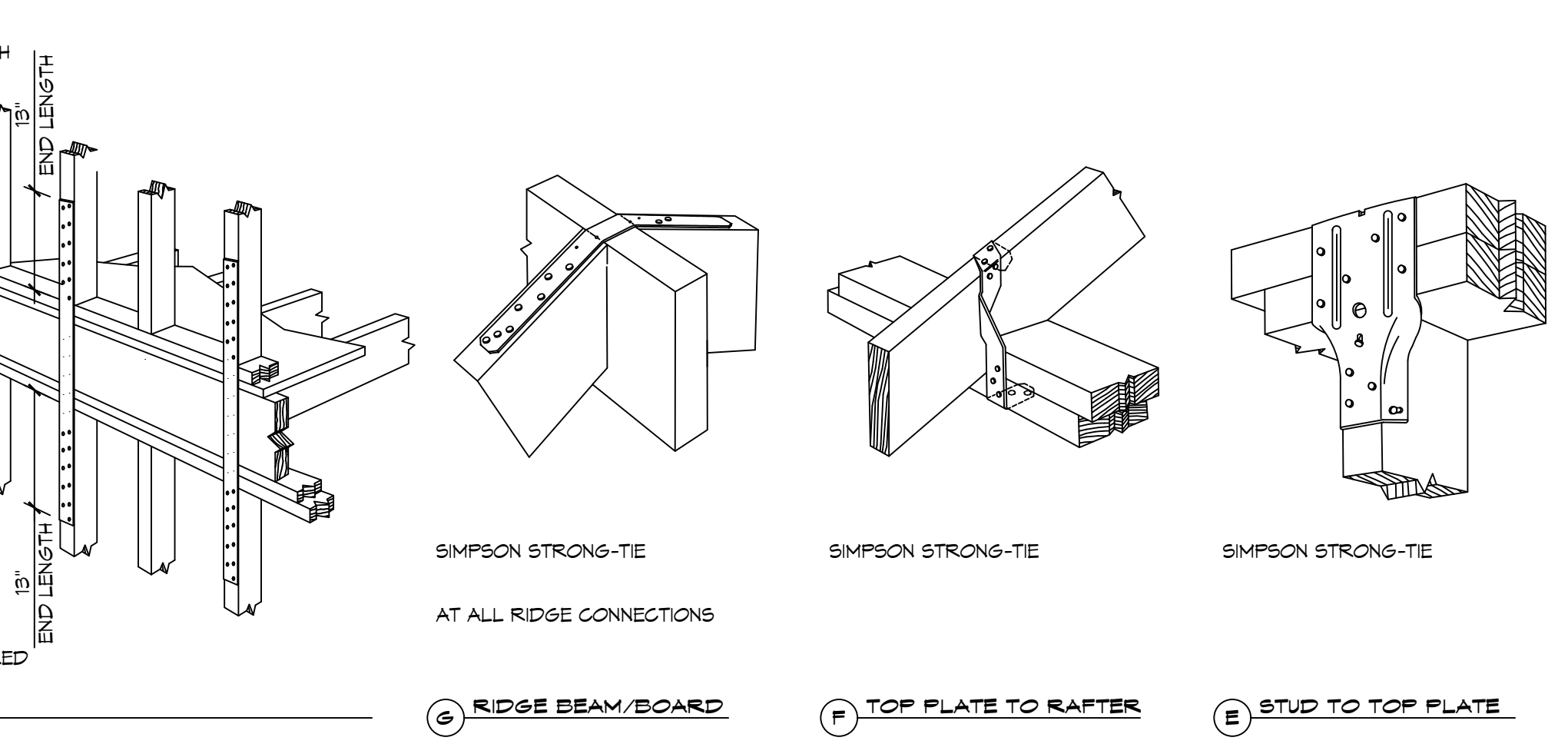
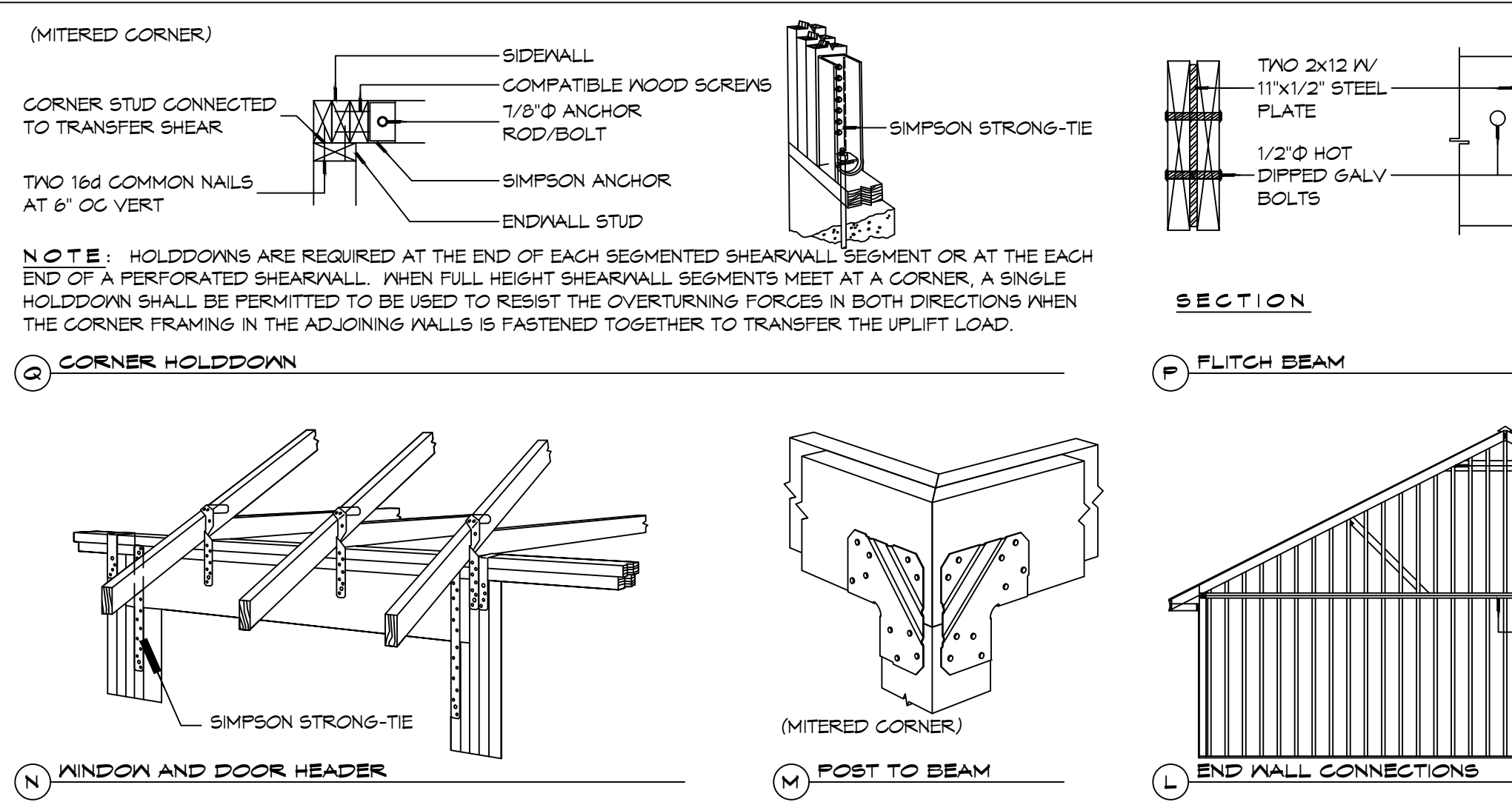
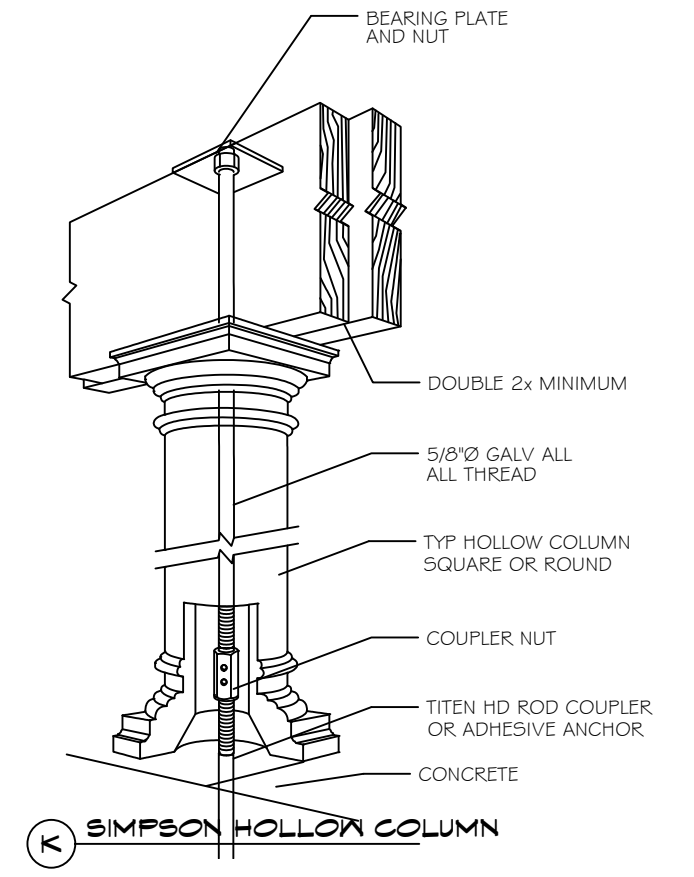


TABLE S601.3 - NAILING SCHEDULE
NFCM 2015 TABLE 3.1

DESCRIPTION	NUMBER OF COMMON NAILS	NUMBER OF BOX NAILS	SPACING
HEADER TO HEADER (FACE NAILED)	16d	16d	16" OC EDGES

TABLE S601.4 - BUILDING ENVELOPE REQUIREMENTS

ROOFS	OPAQUE ELEMENTS	ASSEMBLY MAXIMUM	INSULATION MIN. R-VALUE
	METAL BUILDING	U-0.065	R-19
ATTIC AND OTHER	U-0.027	R-30	
WALLS, ABOVE GRADE	MASS	U-0.151	R-5.7 c.i.
	METAL BUILDING	U-0.113	R-19.0
FLOORS	STEEL-FRAMED	U-0.124	R-19.0
	WOOD-FRAMED AND OTHER	U-0.089	R-19.0
	MASS	U-0.107	R-9 c.i.
	STEEL JOIST	U-0.052	R-19.0
SLAB-ON-GRADE	UN-HEATED	F-0.150	NR
	OPAKE DOORS	SWINGING	U-0.700 NR
	NON-SWINGING	U-1.450 NR	



METAL ROOF APPLICATION & FASTENING NOTES

1. INSTALL 26 GAUGE METAL ROOF PER MANUFACTURER'S RECOMMENDATIONS FOR 140 MPH WIND SPEED.

GENERAL UPLIFT CONNECTION NOTES

ROOF ASSEMBLY TO WALL ASSEMBLY:
UPLIFT CONNECTIONS SHALL BE FROM RAFTER OR TRUSS TO WALL STUD. WHEN RAFTERS OR TRUSSES ARE NOT LOCATED DIRECTLY ABOVE STUDS, RAFTERS SHALL BE ATTACHED TO THE WALL PLATE AND THE WALL TOP PLATE SHALL BE ATTACHED TO THE WALL STUD WITH UPLIFT CONNECTIONS. UPLIFT CONNECTIONS SHALL BE IN ACCORDANCE WITH TABLE S601.10.

WALL ASSEMBLY TO WALL ASSEMBLY:
STORY TO STORY UPLIFT CONNECTIONS FROM UPPER STORY WALL STUD TO LOWER STORY WALL STUD. WHEN UPPER STORY WALL STUDS ARE NOT LOCATED DIRECTLY ABOVE LOWER WALL STUDS, THE STUDS SHALL BE ATTACHED TO A COMMON MEMBER IN THE WALL STUD ASSEMBLY BY UPLIFT CONNECTIONS. UPLIFT CONNECTIONS SHALL BE IN ACCORDANCE WITH TABLE S601.11.

WALL ASSEMBLY TO FOUNDATION:
FIRST FLOOR WALL STUDS SHALL BE CONNECTED TO THE FOUNDATION, SILL PLATE, OR BOTTOM PLATE. A MINIMUM OF A 1-1/4" X 20 GA. ASTM A653 GRADE 88 STEEL STRAP SHALL BE NAILED TO THE WALL STUD. WALL STUDS HAVE A MINIMUM EMBEDMENT OF 1 INCHES IN CONCRETE FOUNDATIONS AND SLABS-ON-GRADE, 15 INCHES IN MASONRY BLOCK FOUNDATIONS, OR BE LAPPED UNDER THE BOTTOM PLATE, 3 INCH SQUARE WASHERS SHALL BE USED ON THE ANCHOR BOLTS AND ANCHOR BOLT SPACINGS SHALL NOT EXCEED THE REQUIREMENTS. STEEL STRAPS EMBEDDED IN OR IN CONTACT WITH SLAB-ON-GRADE OR MASONRY BLOCK FOUNDATIONS SHALL BE HOT-DIPPED GALV. AFTER FABRICATION, OR MANUF. FROM G105 OR 2450 GALV. STL. CONNECTIONS SHALL BE IN ACCORDANCE WITH TABLE S601.12.

TABLE S601.1 - ROOF SHEATHING ATTACHMENT REQUIREMENT - WIND LOAD EXP "B"

SHEATHING LOCATION	RAFTER / TRUSS SPACING	E F	
		MAX NAIL SPACING FOR 8d COMMON NAILS OR 10d BOX NAILS (INCHES OC)	
INTERIOR ZONE	12" OC	6	12
	16" OC	6	12
	24" OC	6	12
PERIMETER EDGE ZONE	12" OC	6	6
	24" OC	4	4

140 MPH WIND - EXPOSURE "B" TYPICAL
E = NAIL SPACING AT PANEL EDGES, INCHES.
F = NAIL SPACING AT INTERMEDIATE SUPPORTS IN THE PANEL FIELD, INCHES.

TABLE S601.1 - WALL SHEATHING AND CLADDING REQUIREMENT - WIND LOAD EXP "B"

SHEATHING LOCATION	RAFTER / TRUSS SPACING	E F	
		MAX NAIL SPACING FOR 8d COMMON NAILS OR 10d BOX NAILS (INCHES OC)	
INTERIOR ZONE	12" OC	6	12
	16" OC	6	12
	24" OC	6	6
PERIMETER EDGE ZONE	12" OC	6	12
	16" OC	6	12

140 MPH WIND - EXPOSURE "B" TYPICAL
E = NAIL SPACING AT PANEL EDGES, INCHES.
F = NAIL SPACING AT INTERMEDIATE SUPPORTS IN THE PANEL FIELD, INCHES.

DAMMON ENGINEERING, INC.
LOUISIANA & MISSISSIPPI

Chief Engineer: Brian M. Misch, PE
554 Old Spanish Trail
Slidell, LA 70458
www.dammonengineering.com
info@dammonengineering.com
PH: 985-649-5832

REVISIONS

#	DESCRIPTION	DATE

SEAL:

MINI HOUSE PLAN UNIT A

CHUCK LOESCHER

121 N. MONROE STREET
COVINGTON, LOUISIANA 70439

JOB No: 10-11-2025
DATE: 10-11-2025
DRAWN BY: DD/KJK
CHECKED BY: CKD

SHEET TITLE:
TYPICAL CONNECTION
DETAILS, SCHEDULES, AND
NOTES

DRAWING NUMBER:

S103

SHEET No: 3 of 3