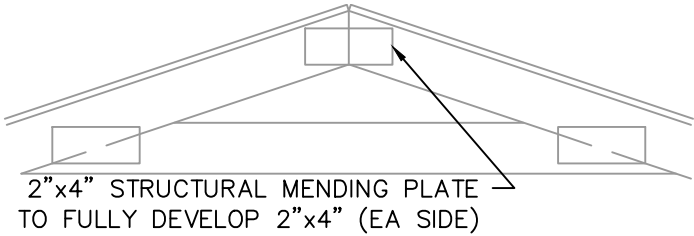
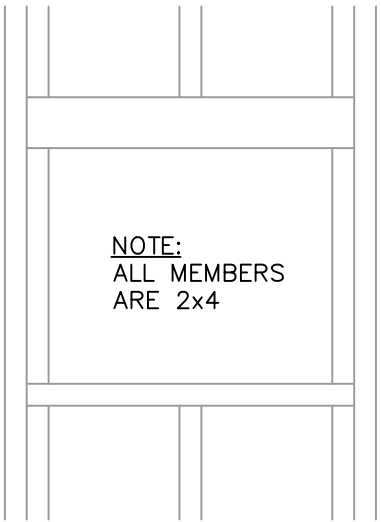


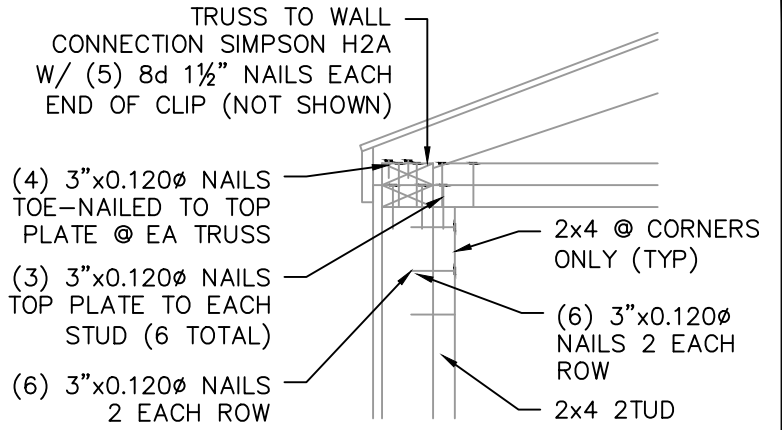
1-CORNER DETAIL



2-TRUSS SPLICE DETAIL

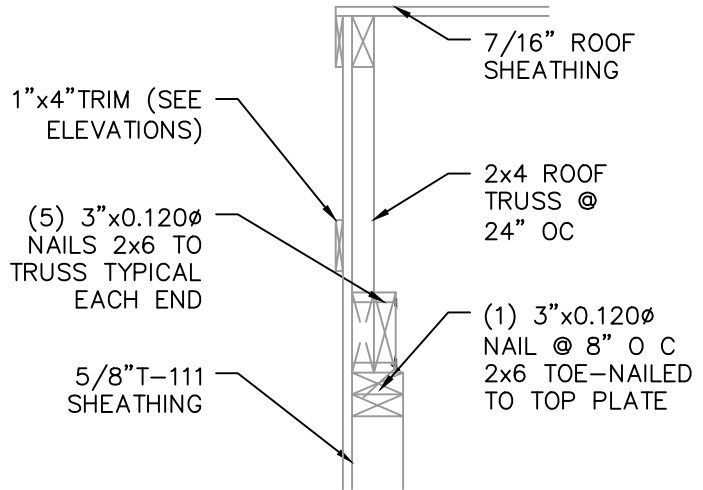


3-TYP WINDOW FRAMING

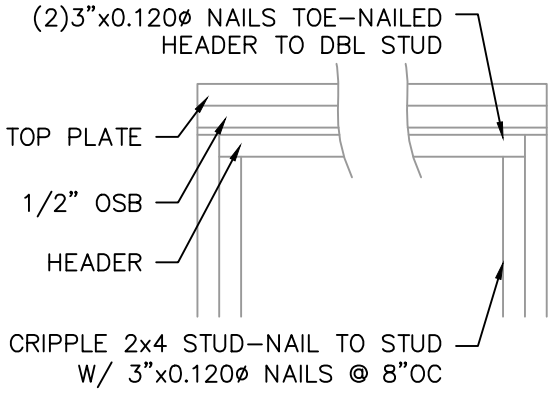


NOTE: INSTALL H2 5A PER MANUFACTURES RECOMMENDATIONS

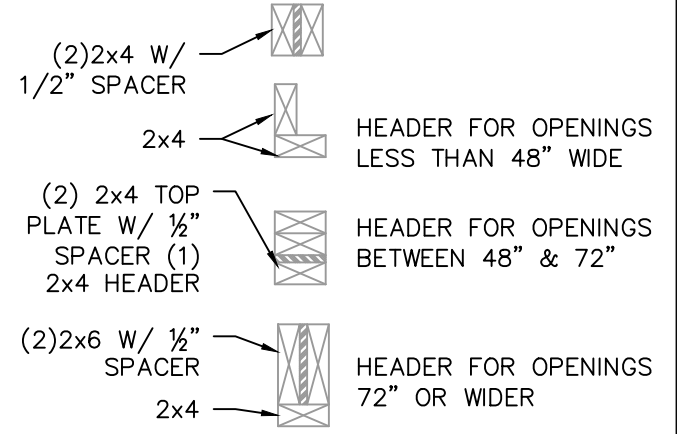
4-CORNER & WALL DETAIL



5-END WALL DETAIL



6-TYP DOOR FRAMING



NOTE: FOR 12' HIGH OR GREATER SIDEWALLS, A 48" MAX OPENING IS ALLOWED



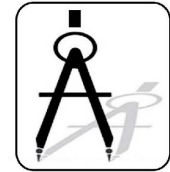
DANIELS PORTABLE BUILDINGS, LLC.

PHONE: 601-551-0469 EMAIL: CHRISDANIELST6@GMAIL.COM

DRAWN BY: TNT SCALE: NTS DATE: 04-14-2022

SHEET TITLE: BUILD DETAIL 1

DRAWING NUMBER: **S-109**



DAMMON ENGINEERING, INC.

554 Old Spanish Trail Slidell, LA 70458 (985) 649-5832

Chief Engineer: Brian Mistich, PE
554 Old Spanish Trail
Slidell, LA 70458

www.dammonengineering.com
info@dammonengineering.com
PHONE: 985-649-5832