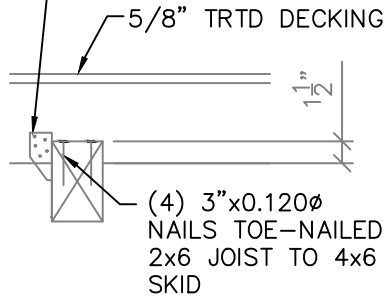
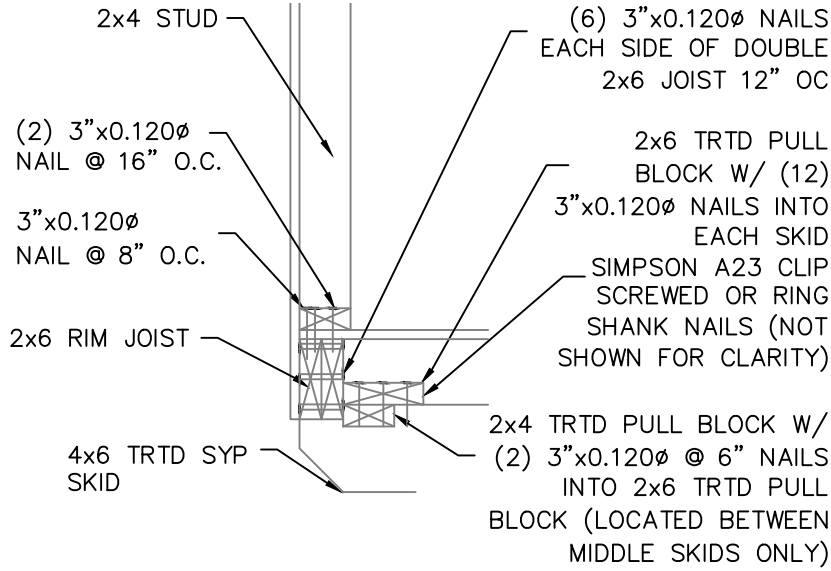


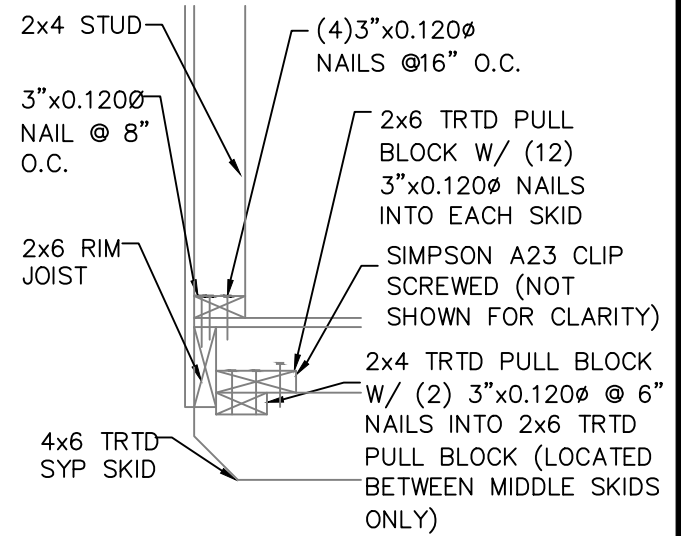
SIMPSON H2.5A W/ (5) 0.131x1-1/2" NAILS IN EACH END OF CLIP ON OUTSIDE SKIDS ONLY



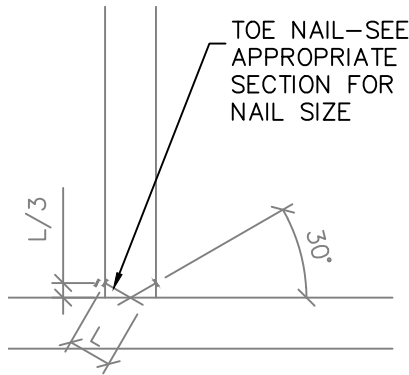
1—INNER & OUTER SKID
DETAIL @ EVERY JOIST



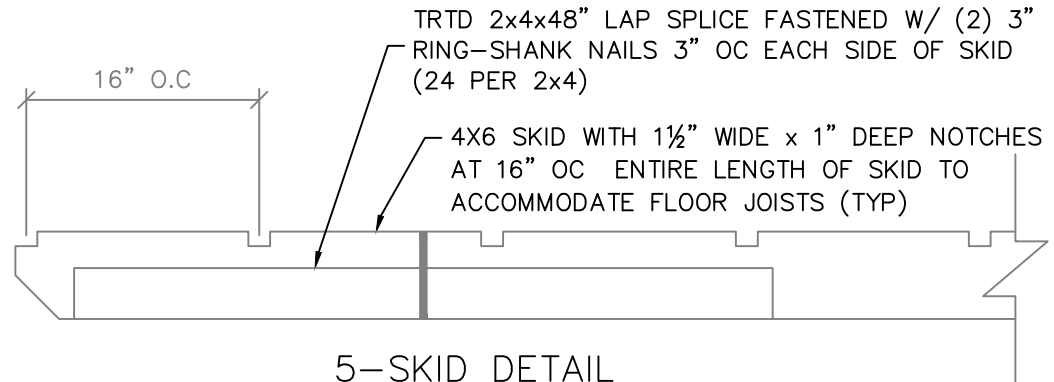
2—ENTRY DOOR ENDWALL JOIST DETAIL



3—REAR ENDWALL JOIST DETAIL



4—TOE—NAIL DETAIL



5—SKID DETAIL



DANIELS PORTABLE BUILDINGS, LLC.

PHONE: 601-551-0469 EMAIL: CHRISDANIELST6@GMAIL.COM

DRAWN BY: TNT SCALE: NTS DATE: 04-14-2022

SHEET TITLE: BUILD DETAILS 2

DRAWING NUMBER:

S-110



DAMMON ENGINEERING, INC.

554 Old Spanish Trail Slidell, LA 70458 (985) 649-5832

Chief Engineer: Brian Mistich, PE
554 Old Spanish Trail
Slidell, LA 70458

www.dammonengineering.com
info@dammonengineering.com
PHONE: 985-649-5832