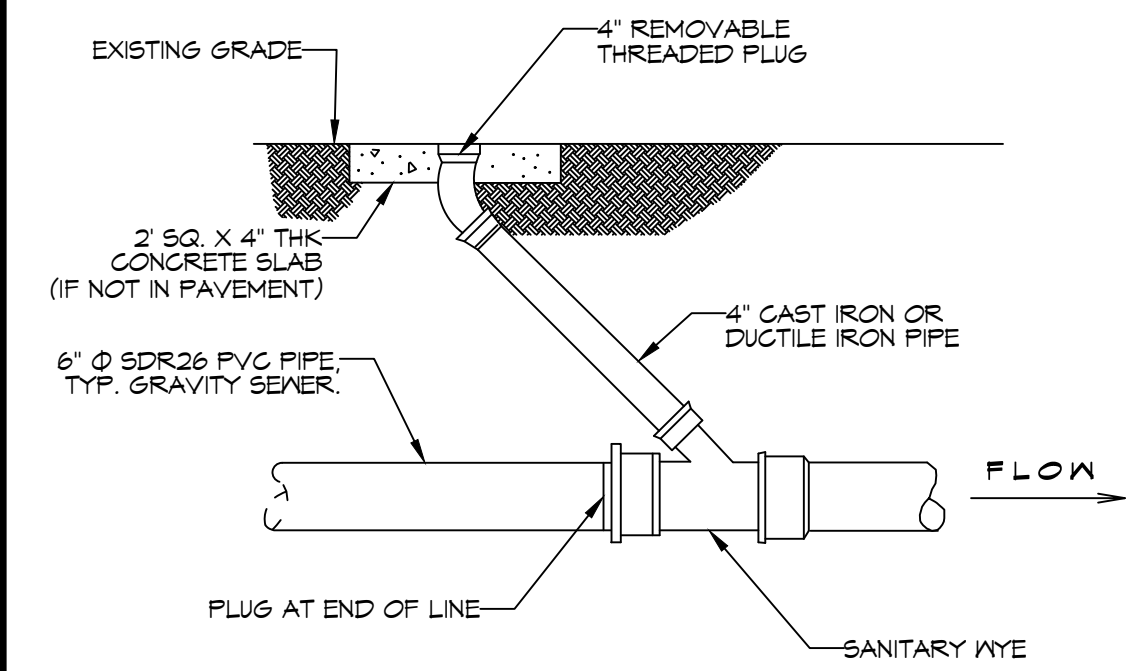


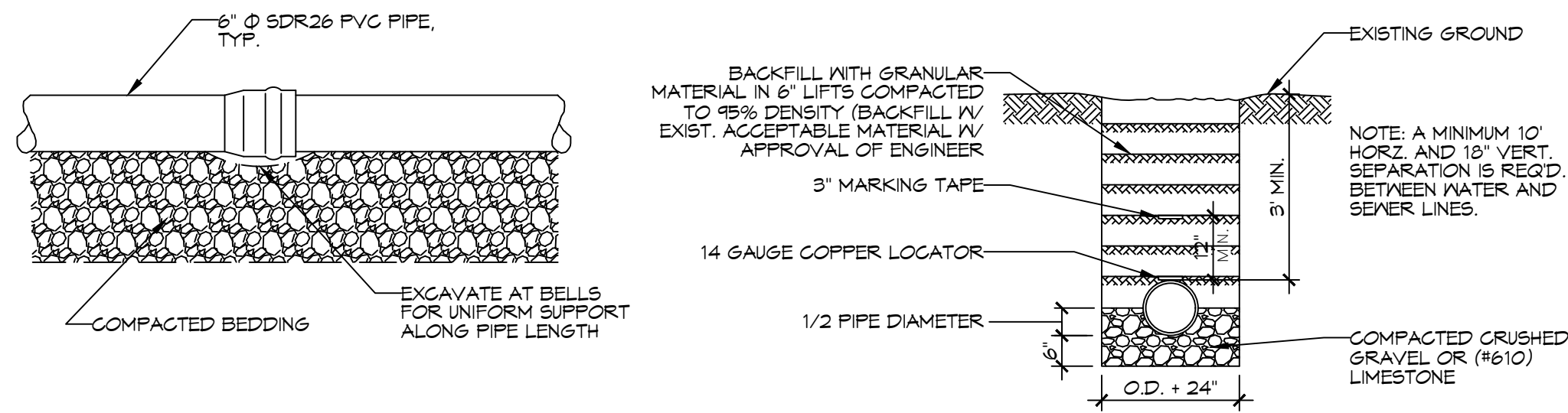
FILE NAME: J:\1-Submittal\10-10-2022\10-10-2022.dwg
 USER: JLD
 PLOT DATE: 10/10/2022 11:30:22 AM
 PLOT SCALE: 1/4"=1'-0"
 PLOT SIZE: 11.00 x 17.00

A DETAIL
SCALE: N.T.S.



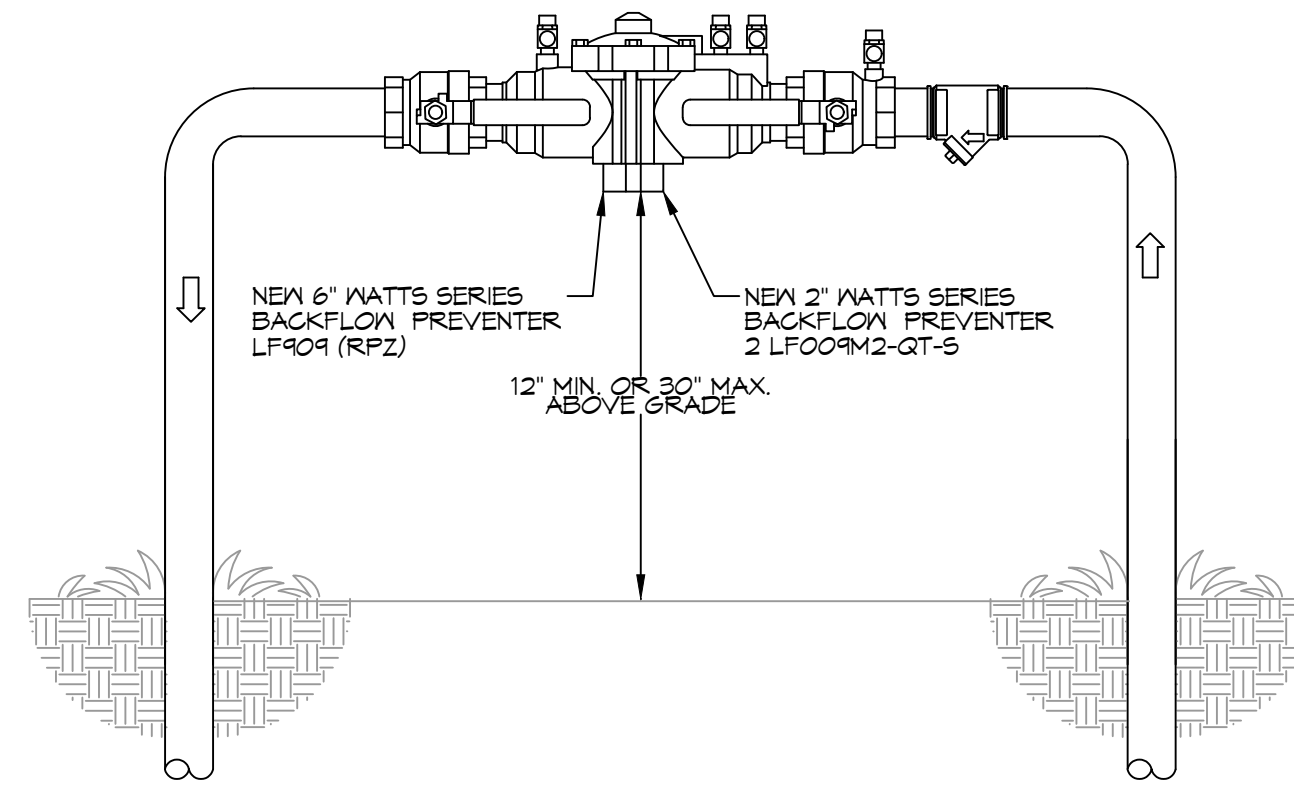
THROUGH FLOW CLEAN OUT DETAIL

B DETAIL
SCALE: N.T.S.



PIPE BEDDING DETAIL FOR SEWER AND WATER

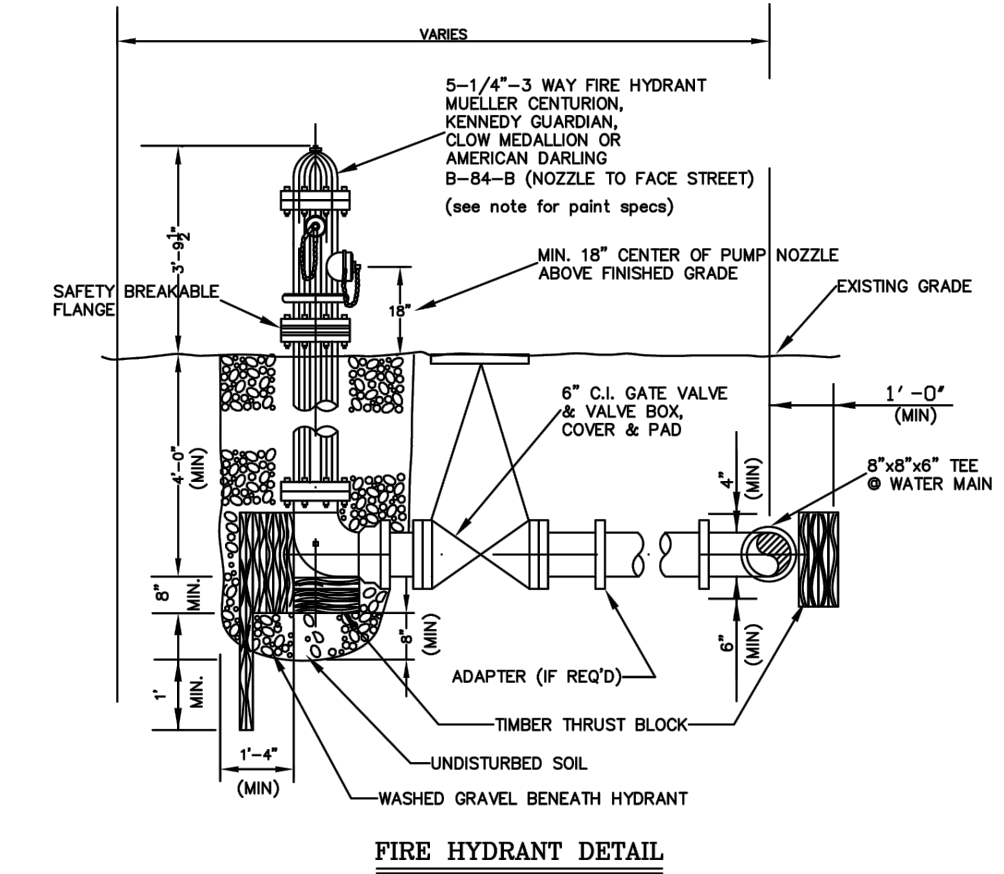
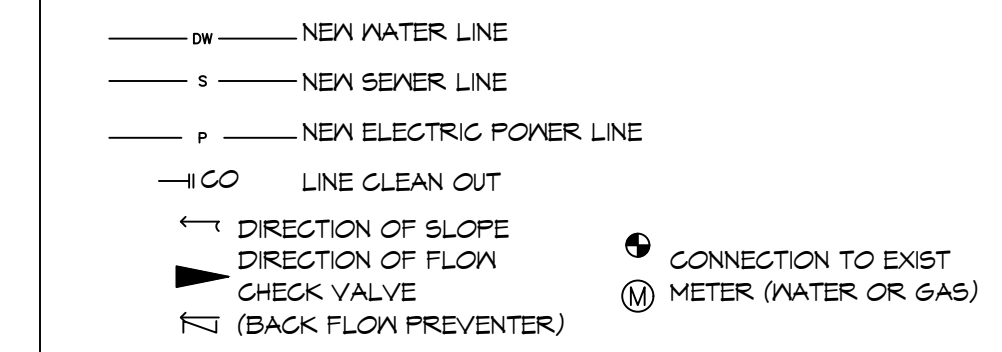
3 TYPICAL RISER DETAIL
SCALE: N.T.S.



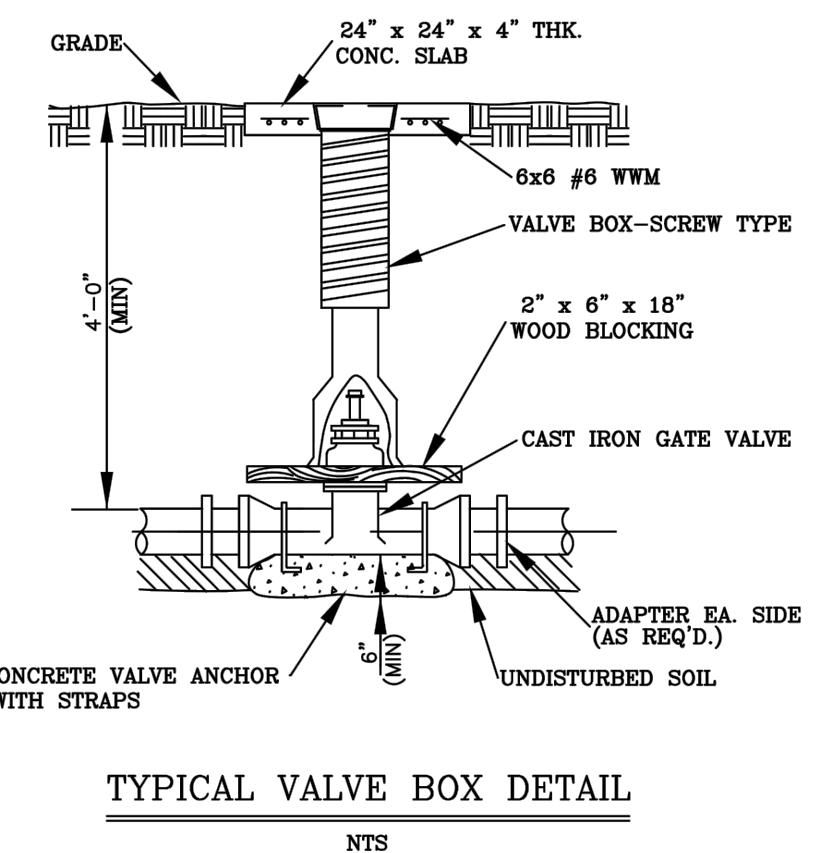
GENERAL SITE UTILITIES NOTES

- ALL CONSTRUCTION SHALL COMPLY WITH CONTRACT SPECIFICATIONS AND APPLICABLE LOCAL, STATE, AND FEDERAL STANDARDS AND REGULATIONS.
- CONSTRUCTION SHALL NOT INTERRUPT EXISTING UTILITIES.
- ALL DISTURBED GROUND SHALL BE RESTORED IN KIND TO A CONDITION EQUAL TO OR BETTER THAN ORIGINALLY FOUND.
- SOIL EROSION CONTROL SHALL BE IN ACCORDANCE WITH THESE DOCUMENTS.
- PROTECT EXISTING UTILITY LINES FROM DAMAGE. FOLLOW INDIVIDUAL UTILITY'S RECOMMENDATIONS FOR UTILITY LINE PROTECTION.
- CONTRACTOR SHALL IMMEDIATELY REPORT ALL DAMAGE TO UTILITY LINES TO BOTH UTILITY COMPANY AND ENGINEER.
- ALL DAMAGE CAUSED TO EXISTING UTILITY LINES BY CONTRACTOR'S OPERATIONS SHALL BE REPAIRED BY THE CONTRACTOR TO COMPLETE SATISFACTION OF THE UTILITY COMPANY AND ENGINEER.
- LOCATION OF EXISTING UTILITIES IS APPROXIMATE. CONTRACTOR SHALL FIELD VERIFY EXACT LOCATIONS.
- CONTRACTOR IS RESPONSIBLE FOR CUT AND GAP OF EXISTING UTILITIES PRIOR TO ANY DEMOLITION.
- CONTRACTOR SHALL CONTACT LOUISIANA ONE CALL PRIOR TO COMMENCEMENT OF SITE EXCAVATION.
- THE CONTRACTOR SHALL CONTACT CITY OF SLIDELL PUBLIC UTILITY DEPARTMENT AT (985) 846-4291 FOR TAPS.
- THE CONTRACTOR SHALL CONTACT HERB GORNOR @ WASHINGTON ST TAMMANY (985) 892-8804 FOR POWER CONNECTION.

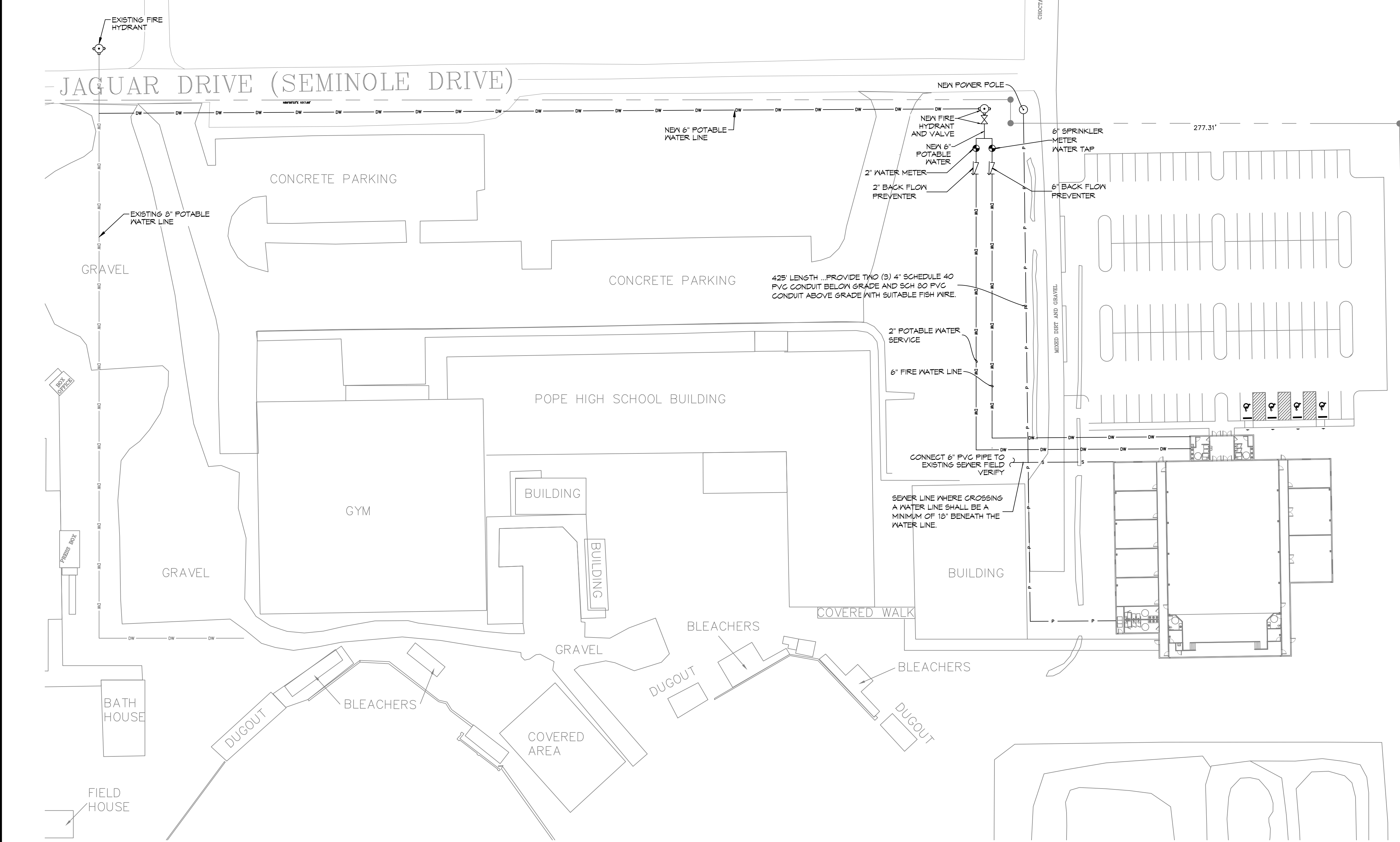
SITE UTILITIES LEGEND



- NOTES:
 HYDRANT PAINT SHALL BE FACTORY APPLIED.
 (FIELD APPLIED PAINT SHALL NOT BE APPROVED)
 PAINT COLOR SHALL BE:
 1. KENNEDY HYDRANTS: KENNEDY SAFETY YELLOW NUMBER 05
 2. MUELLER HYDRANTS: SAFETY YELLOW, F83R9Y955, M40150, PAINT CODE (M7)
 3. CLOW MEDALLION: SAFETY YELLOW
 4. AMERICAN DARLING HYDRANTS: DUPONT SAFETY YELLOW 1663E



4 FIRE HYDRANT DETAIL
SCALE: N.T.S.



2 SITE UTILITIES PLAN
SCALE: 1/4"=1'-0"

DAMMON ENGINEERING, INC.
 LOUISIANA & MISSISSIPPI
 Chief Engineer: Brian Mistich, PE
 554 Old Spanish Trail
 Slidell, LA 70458
 www.dammonengineering.com
 info@dammonengineering.com
 PH: 985.649.5832 F: 985.641.5950

#	DESCRIPTION	DATE

NEW AUDITORIUM
 POPE JOHN PAUL II
 HIGH SCHOOL
 1901 LAGUAR DR.
 SLIDELL, LA 70461
 JOB NO: 2922
 DATE: 01-25-2026
 DRAWN BY: CND
 CHECKED BY: BAK

SHEET TITLE:
 SITE UTILITIES PLAN
 DRAWING NUMBER:
C102
 SHEET No: 4 of 17