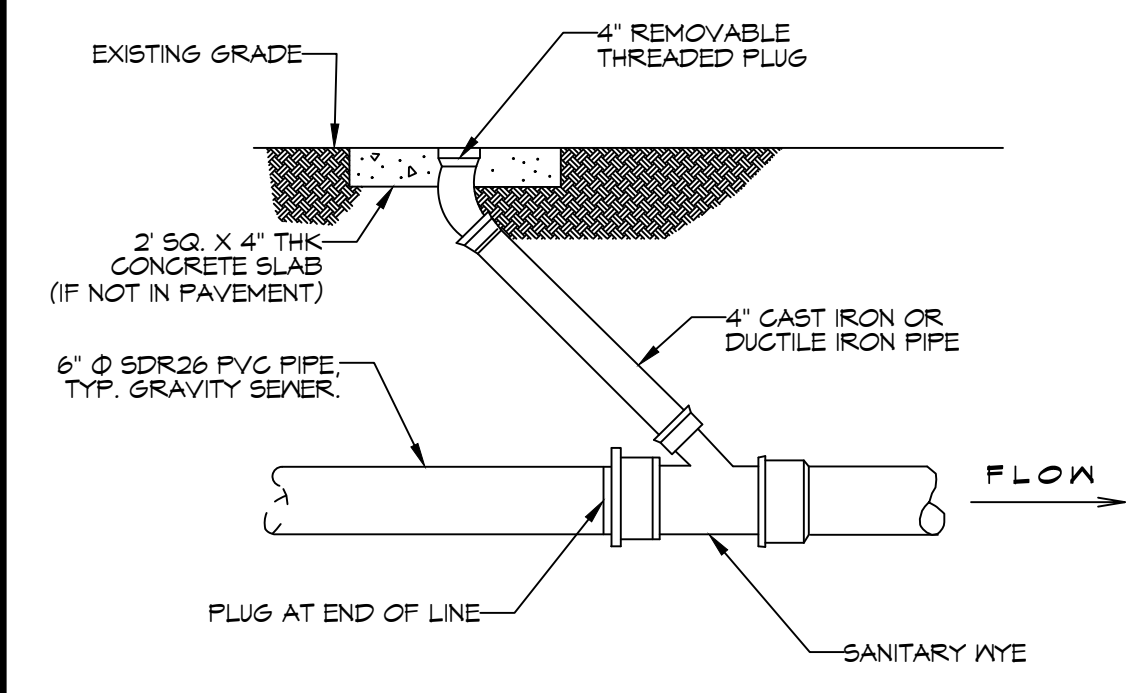
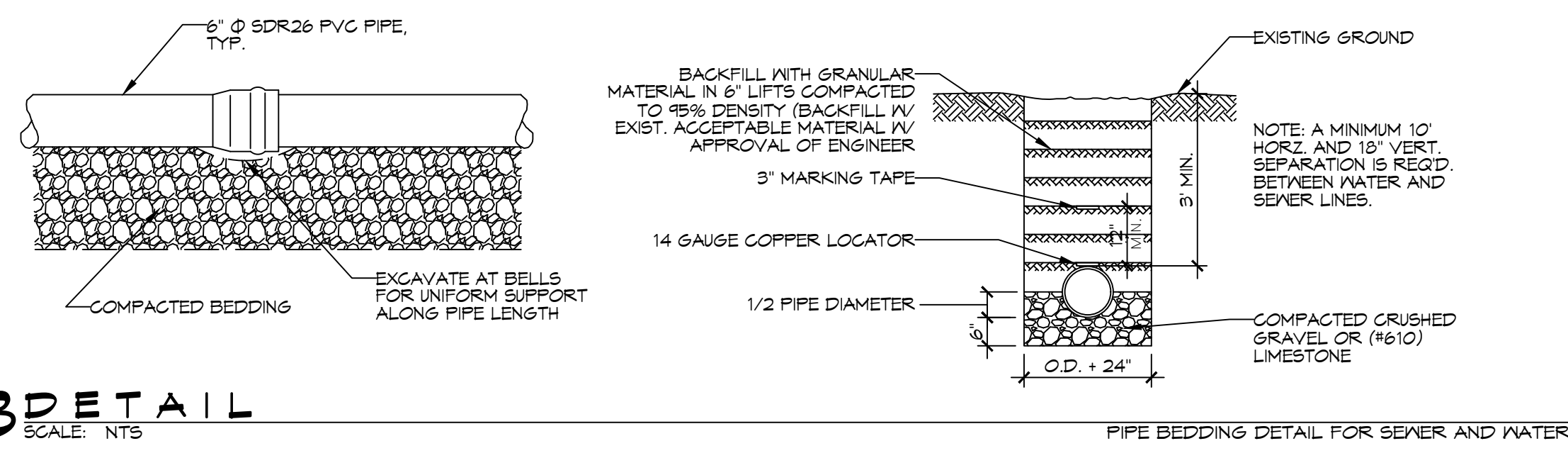


FILE NAME: J:\Projects\2022\22-001\22-001.dwg
 PLOT DATE: 05/27/2026
 PLOT TIME: 10:05:00 AM
 PLOT SCALE: 1"=40'-0"
 PLOT SHEET: 1 OF 1
 PLOT BY: J.M.

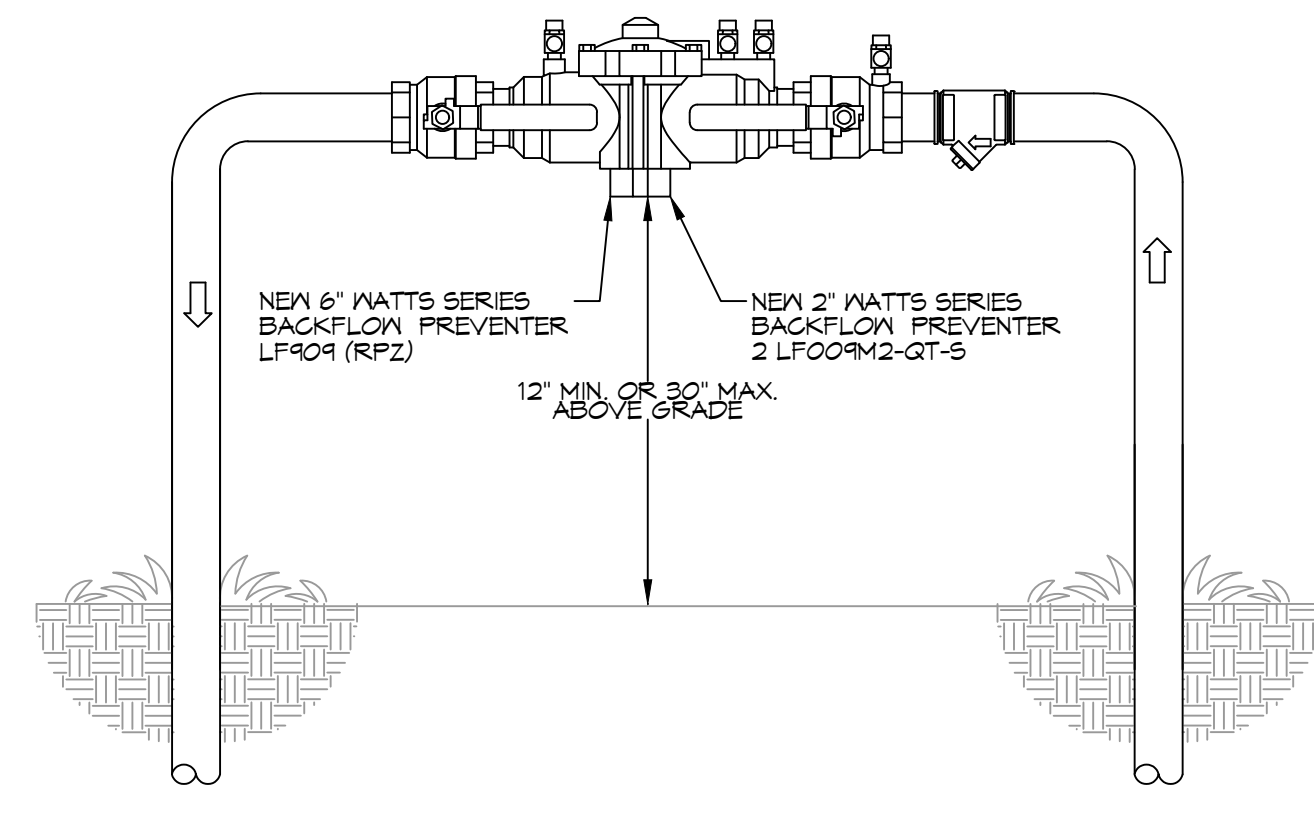
A DETAIL
SCALE: N.T.S.



B DETAIL
SCALE: N.T.S.



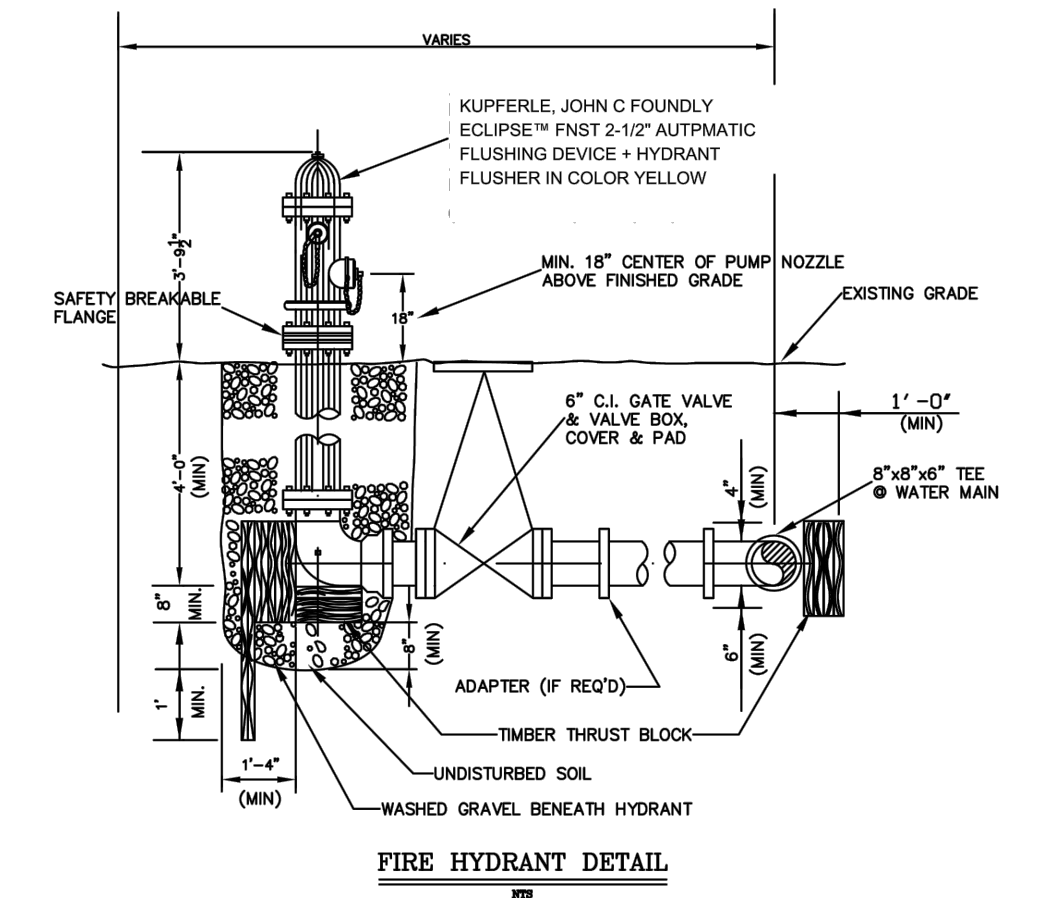
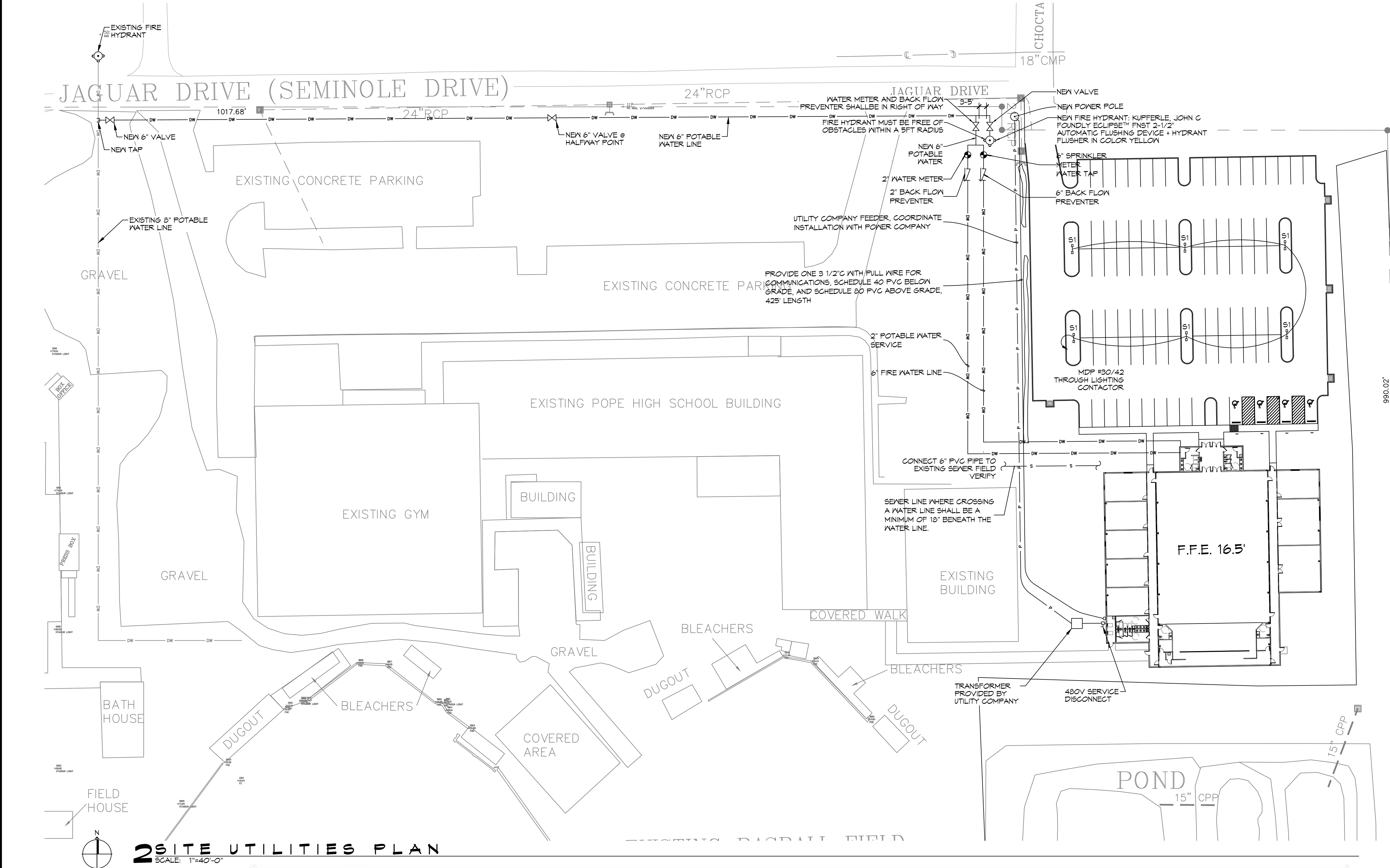
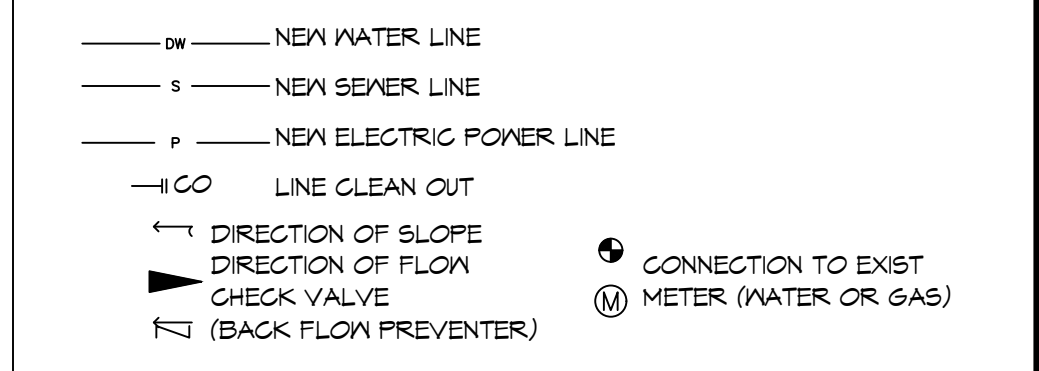
3 TYPICAL RISER DETAIL
SCALE: N.T.S.



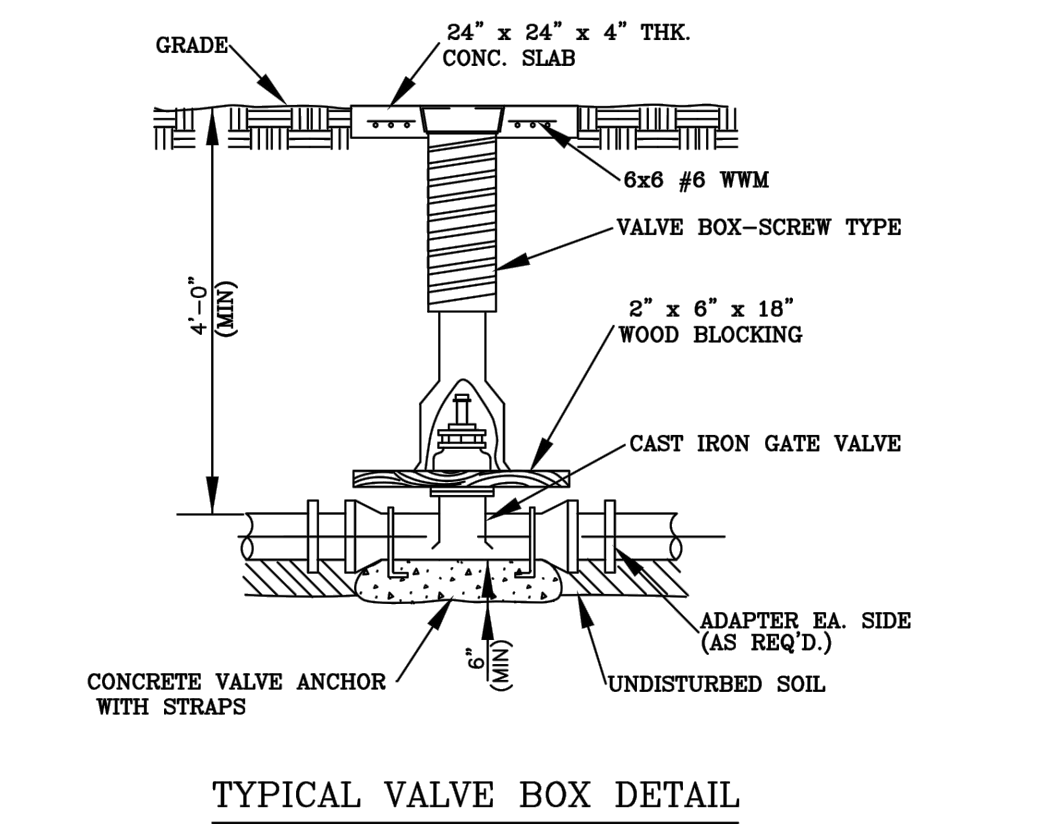
GENERAL SITE UTILITIES NOTES

- ALL CONSTRUCTION SHALL COMPLY WITH CONTRACT SPECIFICATIONS AND APPLICABLE LOCAL, STATE, AND FEDERAL STANDARDS AND REGULATIONS.
- CONSTRUCTION SHALL NOT INTERRUPT EXISTING UTILITIES.
- ALL DISTURBED GROUND SHALL BE RESTORED IN KIND TO A CONDITION EQUAL TO OR BETTER THAN ORIGINALLY FOUND.
- SOIL EROSION CONTROL SHALL BE IN ACCORDANCE WITH THESE DOCUMENTS.
- PROTECT EXISTING UTILITY LINES FROM DAMAGE. FOLLOW INDIVIDUAL UTILITY'S RECOMMENDATIONS FOR UTILITY LINE PROTECTION.
- CONTRACTOR SHALL IMMEDIATELY REPORT ALL DAMAGE TO UTILITY LINES TO BOTH UTILITY COMPANY AND ENGINEER.
- ALL DAMAGE CAUSED TO EXISTING UTILITY LINES BY CONTRACTOR'S OPERATIONS SHALL BE REPAIRED BY THE CONTRACTOR TO COMPLETE SATISFACTION OF THE UTILITY COMPANY AND ENGINEER.
- LOCATION OF EXISTING UTILITIES IS APPROXIMATE. CONTRACTOR SHALL FIELD VERIFY EXACT LOCATIONS.
- CONTRACTOR IS RESPONSIBLE FOR CUT AND GAP OF EXISTING UTILITIES PRIOR TO ANY DEMOLITION.
- CONTRACTOR SHALL CONTACT LOUISIANA ONE CALL PRIOR TO COMMENCEMENT OF SITE EXCAVATION.
- THE CONTRACTOR SHALL CONTACT CITY OF SLIDELL PUBLIC UTILITY DEPARTMENT AT (985) 846-4291 FOR TAPS.
- THE CONTRACTOR SHALL CONTACT HERB GORNOR @ WASHINGTON ST TAMMANY (985) 892-8804 FOR POWER CONNECTION.

SITE UTILITIES LEGEND



- NOTES:
 HYDRANT PAINT SHALL BE FACTORY APPLIED. (FIELD APPLIED PAINT SHALL NOT BE APPROVED)
 PAINT COLOR SHALL BE:
 1. KENNEDY HYDRANTS: KENNEDY SAFETY YELLOW NUMBER 05
 2. MUELLER HYDRANTS: SAFETY YELLOW, F830X9559, M40150, PAINT CODE (W7)
 3. CLOW MEDALLION: SAFETY YELLOW
 4. AMERICAN DARLING HYDRANTS: DUPONT SAFETY YELLOW 1663E



4 FIRE HYDRANT DETAIL
SCALE: N.T.S.

Luminaire Schedule						LLF	Lum. Lumens
Symbol	Label	Qty	Arrangement	Manufacturer & Part Number			
	S1	6	Back-Back	NLS - NV-1-T5W 32L-7-40K7- HV	0.950	10365	

PARKING LOT LIGHTING SCHEDULE
SCALE: N.T.S.

DAMMON ENGINEERING, INC.
 LOUISIANA & MISSISSIPPI
 Chief Engineer: Brian Mistich, PE
 554 Old Spanish Trail
 Slidell, LA 70458
 www.dammonengineering.com
 info@dammonengineering.com
 PH: 985.649.5832 F: 985.641.9950

REVISIONS	DATE	DESCRIPTION



NEW AUDITORIUM POPE JOHN PAUL HIGH SCHOOL
 1901 LAGAR DR
 SLIDELL, LA 70461
 JOB NO: 22-001
 DATE: 05-27-2026
 DRAWN BY: J.M.
 CHECKED BY: G.S.
 SHEET TITLE: SITE UTILITIES PLAN
 DRAWING NUMBER: C102
 SHEET No: 4 of 20