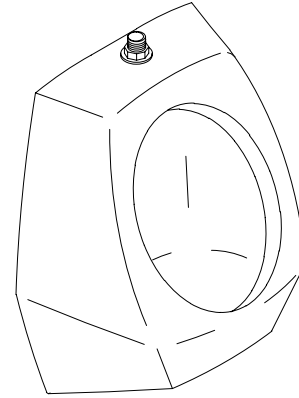


# K-4955-T

ADA

## FEATURES

- Vitreous china
- Siphon jet
- 3/4" top spud
- 1.0 gallon or less flush
- ADA compliant when rim is mounted no higher than 17" from finished floor



## CODES/STANDARDS APPLICABLE

Specified model meets or exceeds the following:

- ADA when rim is mounted no higher than 17" from finished floor
- ASME/ANSI A112.19.2M
- ASME/ANSI A112.19.6M
- CABO/ANSI A117.1
- Energy Policy Act of 1992 (EPACT)
- IAPMO/UPC
- Canadian Standards Association (CSA)
- States of Massachusetts, New York, & Texas
- City of Los Angeles, CA

## COLORS/FINISHES

- 0 White
- Other Refer to Fixtures Price Book for additional colors

## SPECIFIED MODEL:

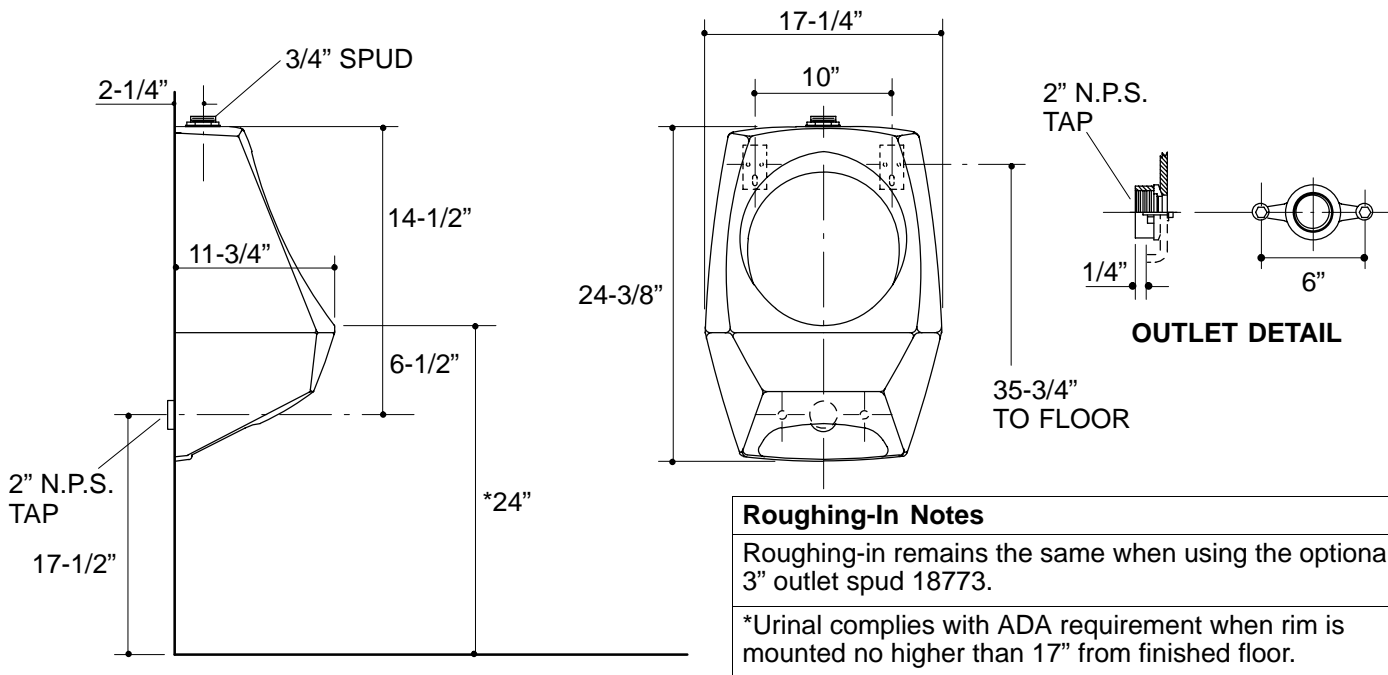
Model	Description	Colors/Finishes	
K-4955-T	3/4" top spud urinal	<input type="checkbox"/> 0 White	<input type="checkbox"/> Other_____

## PRODUCT SPECIFICATION:

The siphon jet urinal shall be made of vitreous china with a 3/4" top spud. Urinal shall be 1.0 gallon or less flush. Urinal shall be ADA compliant when rim is mounted no higher than 17" from finished floor. Urinal shall be Kohler Model K-4955-T-\_\_\_\_\_.

## PRODUCT INFORMATION

ADA compliant.	
Fixture:	
Configuration	Top spud
Spud inlet size	3/4"
Gallons per flush	< 1 gallon*
* Designed to flush with less than one gallon of water when installed with a water saving flush valve.	
Included Components:	
3/4" inlet spud	18376
2" outlet spud	18766
Hangers (2 required)	65412
Flush valve requirements: Refer to manufacturer's instructions and local codes.	



1.15>116

## PRODUCT DIAGRAM