

Ordering Information

Applicable product:		
Three-hole bar sink	K-6015-3	shown
Two-hole bar sink	K-6015-2	not shown
One-hole bar sink	K-6015-1	not shown

Product Information

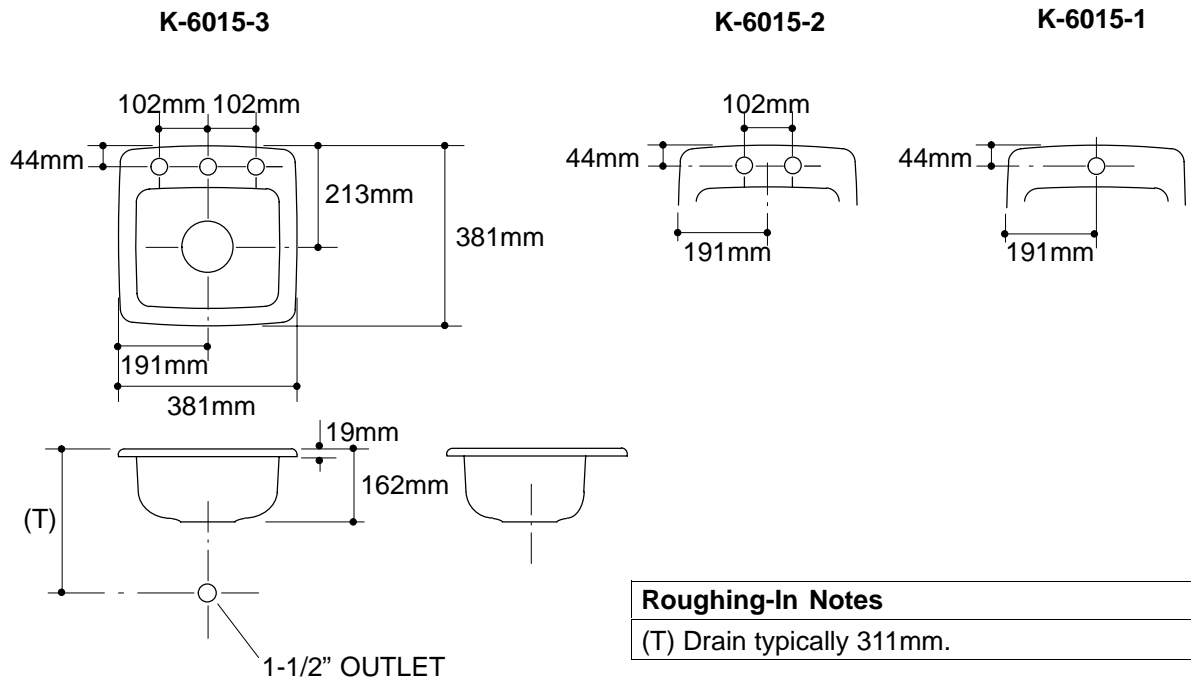
Fixture*:		basin area	water depth
Sink		305 x 254mm	140mm
Outlet	Ø89mm		
Faucet holes	Ø35mm		

* Approximate measurements for comparison only.

Included Components:	
Adhesive sealant	63034
Cutout template	102519-7

Installation Notes

Refer to installation instructions included with fixture before beginning installation.



Roughing-In Notes

(T) Drain typically 311mm.