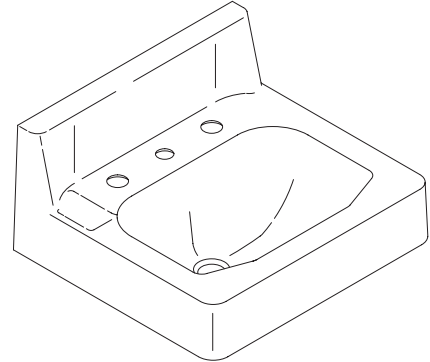


WALL-MOUNT LAVATORY

K-2810, K-2849, K-2869

ADA



FEATURES

- 20" x 18"
- Cast iron
- Wall-mount
- 8" centers (K-2869), 4" centers (K-2849), or single-hole (K-2810) drilling
- With overflow
- ADA compliant
- Optional soap dispenser hole on left (-L) or right (-R)
- Optional 11-1/2" thru bolt holes (-B)
- Optional 18-3/8" thru bolt holes (K-2849-W only)

CODES/STANDARDS APPLICABLE

Specified model meets or exceeds the following:

- ADA
- ASME/ANSI A112.19.2M
- CABO/ANSI A117.1
- IAPMO/UPC
- CSA International B45
- State of Massachusetts

HOLE OPTIONS

- L Soap dispenser hole on left
- R Soap dispenser hole on right
- B 11-1/2" thru bolt holes
- W 18-3/8" thru bolt holes

COLORS/FINISHES

- 0 White
- Other Refer to Fixtures Price Book for additional colors

Accessories:

- CP Polished Chrome
- Other Refer to Faucets Price Book for additional finishes

SPECIFIED MODEL:

Model	Description	Hole Options				Colors	
		-L	-R	-B	-W	0 White	Other
K-2810	Single-hole lavatory	<input type="checkbox"/>	<input type="checkbox"/>	<input type="checkbox"/>		<input type="checkbox"/>	<input type="checkbox"/>
K-2849	4" centers lavatory	<input type="checkbox"/>	<input type="checkbox"/>	<input type="checkbox"/>	<input type="checkbox"/>	<input type="checkbox"/>	<input type="checkbox"/>
K-2869	8" centers lavatory		<input type="checkbox"/>	<input type="checkbox"/>		<input type="checkbox"/>	<input type="checkbox"/>

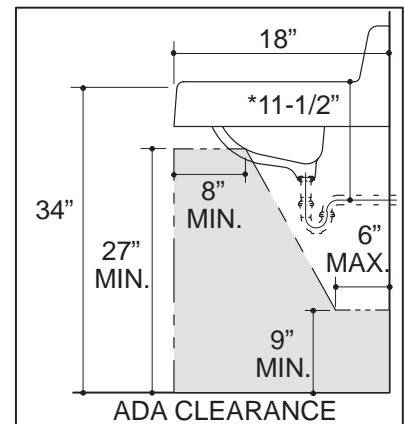
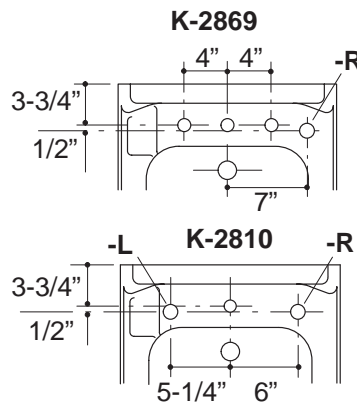
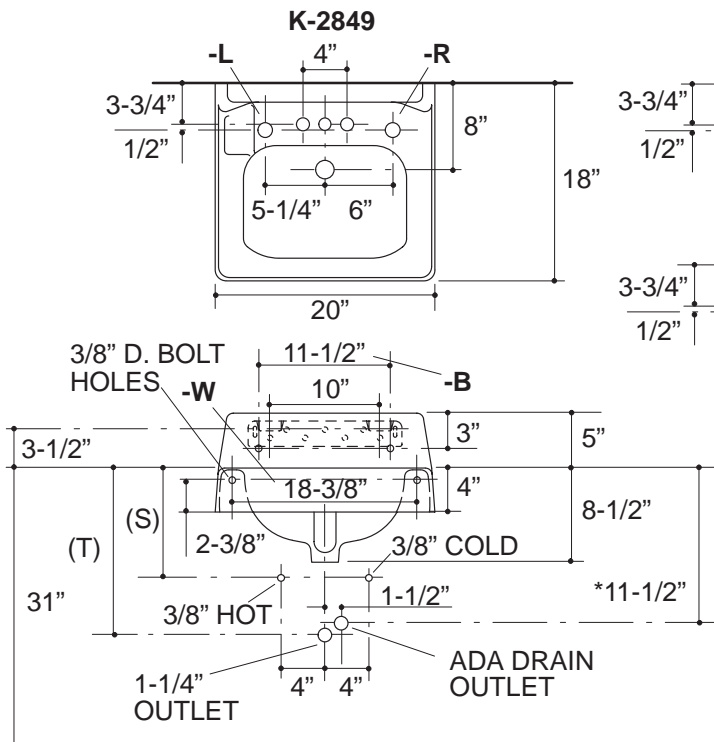
Recommended Accessories			
K-8998	Trap	<input type="checkbox"/> CP	<input type="checkbox"/> Other_____

PRODUCT SPECIFICATION:

The wall-mount lavatory with back, shall be 20" in length, and 18" in width. Lavatory shall be made of cast iron. Lavatory shall have 8" centers (K-2869), 4" centers (K-2849), or single-hole (K-2810) drilling. Lavatory shall have overflow. Lavatory shall be ADA compliant. Lavatory shall have soap dispenser hole on left (-L) or right (-R). Lavatory shall have 11-1/2" thru bolt holes (-B). Lavatory shall have 18-3/8" thru bolt holes (K-2849-W). Lavatory shall be Kohler Model K-_____-_____-_____.

PRODUCT INFORMATION

ADA compliant.			
Fixture*:		basin area	water depth
Lavatory		15" x 10"	5"
Outlet	1-11/16" D.		
* Approximate measurements for comparison only.			
Holes	K-2869	K-2849	K-2810
Spout	1-1/8" D.	1-1/8" D.	1-3/8" D.
Faucet	1-5/16" D.	1-3/16" D.	
Soap dispenser			1-1/4" D.
Included Components:			
Hanger	64503		



Roughing-In Notes

*Based on K-8998, with 1" tailpiece exposed.

(T) Pop-up drain 14-1/8", grid drain 13-1/4".

Supply (Based on 12" riser which may require cutting).

K-2849
K-2810

K-2869

.95<116

PRODUCT DIAGRAM