

## Ordering Information

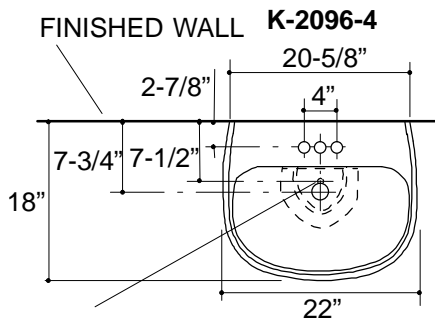
Applicable product:		
4" centers lavatory	K-2096-4	shown
8" centers lavatory	K-2096-8	not shown
Single-hole lavatory	K-2096-1	not shown
Accessories/hardware:		
Lavatory supplies, 3/8" pr.	K-7605-P	recommended
Trap	K-8998	recommended

## Product Information

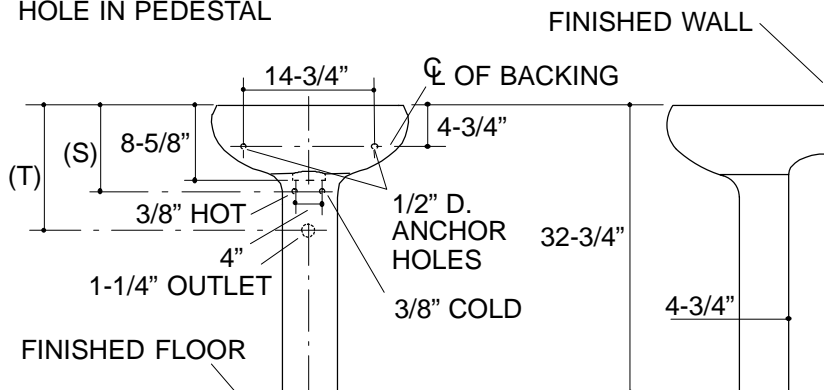
Fixture*:		basin area	water depth
Lavatory		20" x 12"	5-1/2"
Outlet	1-3/4" D.		
* Approximate measurements for comparison only.			

Holes	<b>K-2096-4</b>	<b>K-2096-8</b>	<b>K-2096-1</b>
Spout	1-3/16" D.	1-3/16" D.	1-3/8" D.
Faucet	1-3/16" D.	1-3/8" D.	

Included Components:	
Lavatory basin, 4" centers	K-2145-4
Lavatory basin, 8" centers	K-2145-8
Lavatory basin, single-hole	K-2145-1
Pedestal	K-2147
Pedestal accessory pack	52204
Rubber pads	63069



1/2" D. MOUNTING  
HOLE IN PEDESTAL

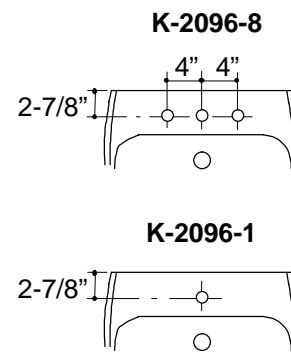


## Roughing-In Notes

Fixture dimensions are nominal and conform to tolerances in ASME Standard A112.19.2M.

(T) Pop-up drain typically 14-1/4".

(S) 10" (Based on 12" riser which may require cutting).



.75<116