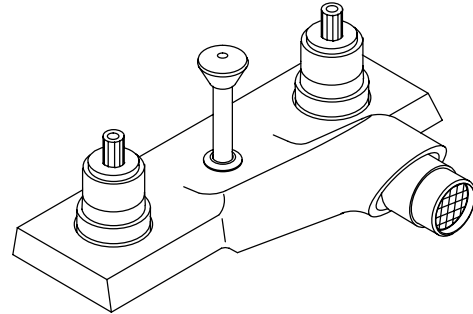


**BIDET BASE FAUCET
K-9279-K**

FEATURES

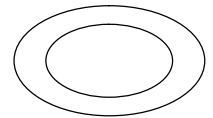
- Brass construction
- For 4" centers
- Brass valve bodies
- Quarter-turn washerless ceramic disc valves
- Swivel spray spout
- Pop-up drain with lift rod and tailpiece
- Variety of handle style options



CODES/STANDARDS APPLICABLE

Specified model meets or exceeds the following:

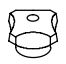
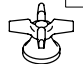



- ASME/ANSI A112.18.1M
- CSA B125



COLORS/FINISHES

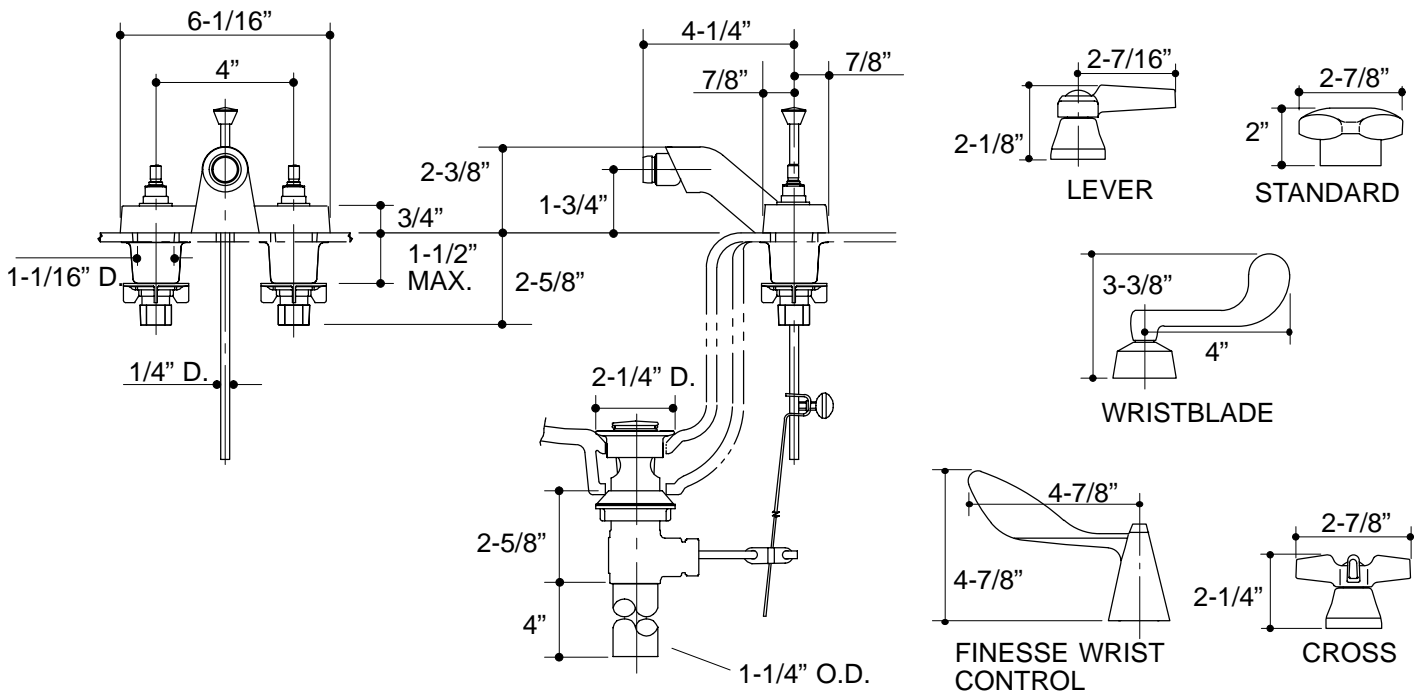
- CP Polished Chrome
- PB Polished Brass

SPECIFIED MODEL: For complete faucet, both base faucet and handle choice must be specified.

Model	Description					
K-9279-K	Triton/Finesse Centerset Bidet Base Faucet	<input type="checkbox"/> CP	<input type="checkbox"/> PB			
Required Accessory (Includes Two Handles)			 ADA	 ADA	 ADA	 ADA
K-16010-2	Triton Standard Handles	<input type="checkbox"/> CP				
K-16010-3	Triton Cross Handles		<input type="checkbox"/> CP			
K-16010-4	Triton Lever Handles			<input type="checkbox"/> CP		
K-16010-5	Triton Wristblade Lever Handles				<input type="checkbox"/> CP	
K-16050-5	Finesse Wrist Control Lever Handles					<input type="checkbox"/> CP <input type="checkbox"/> PB

PRODUCT SPECIFICATION:

Two-handle centerset bidet base faucet shall be of brass construction. Faucet shall feature brass valve bodies. Faucet shall feature quarter-turn washerless ceramic disc valves, assuring positive handle stop positioning. Product shall include 4" centers, swivel spray spout, and pop-up drain with lift rod and tailpiece. Base faucet shall be Kohler Model K-9279-K-_____ and handles shall be Kohler Model K-_____-_____-_____.



316

PRODUCT DIAGRAM