

KOHLER® SERVICE PARTS

BATH AND SHOWER FITTINGS

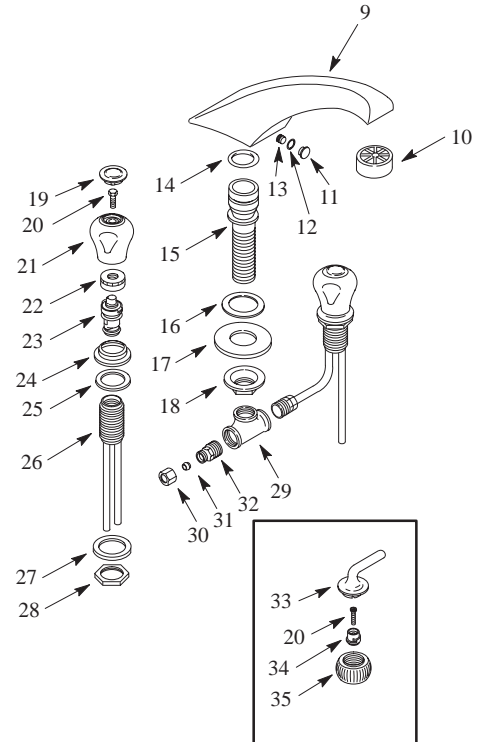
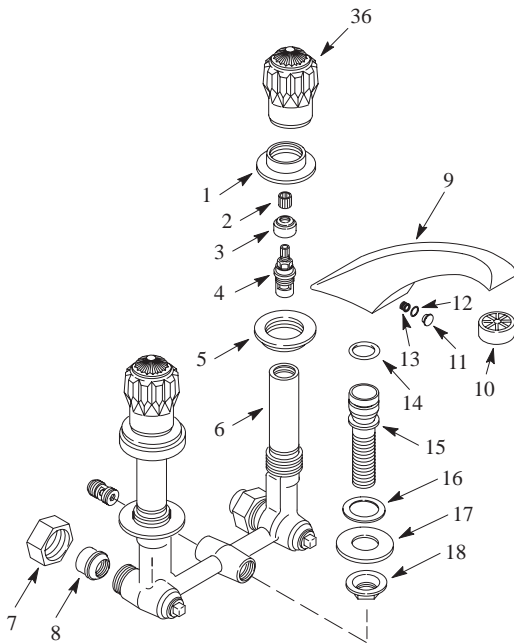
K-7019-FCV FLAIR II DECK-MOUNTED BATH FAUCET
K-7019-7A FLAIR II DECK-MOUNTED BATH FAUCET
 W/SLIP-FIT CONNECTION

K-15295 CORALAISTM DECK-MOUNTED BATH FAUCET
K-15296 CORALAISTM DECK-MOUNTED BATH FAUCET
K-15296-S CORALAISTM DECK-MOUNTED BATH FAUCET
 W/SLIP-FIT CONNECTION

ORDER BY KIT NUMBER OR PART NUMBER, NOT ITEM NUMBER OR KIT LETTER.

Ordering Options

Item	Part No. or Kit
1	22904
2	A or B
3	46115
4	C or D
5	23077
6	*
7, 8	E or F
9	70530 †, K
10	38808, K
11	21290
12	32698
13	21291, K
14	41391
15	21292
16	21293
17	41219
18	21329
19	G or H
20	70047
21	70233 †
22	70008
23	I or J
24	70352 †
25	70355
26	*
27	40001
28	40005
29	24359
30, 31, 32	L
33	70303 †
34	70307
35	70306 †**
36	M



Kit Ordering Information

Kit	Kit Part No.	Kit Name	Kit Contents
A	59027	Spline Adapter	1 ea., item 2
B	42685	Spline Adapter (Wrist-Blade Handle)	1 ea., item 2
C	30430	Ceramic Valve (Closes Clockwise)	1 ea., item 4
D	30431	Ceramic Valve (Closes Counterclockwise)	1 ea., item 4
E	30204	Union Sub-Assembly (1/2" I.P.)	1 ea., items 7 and 8
F	30203	Union Sub-Assembly (5/8" O.D.)	1 ea., items 7 and 8
G	70207	Plug Button (Cold)	1 ea., item 19
H	70208	Plug Button (Hot)	1 ea., item 19
I	70127	Valve Unit (Closes Clockwise)	1 ea., item 23
J	70415	Valve Unit (Closes Counterclockwise)	1 ea., item 23
K	70532	Spout Assembly	1 ea., items 9, 10, and 13
L	38865	Compression Fitting	1 ea., items 30, 31, and 32
M	106299§ ■	Flair Handle Options	See INDEX.

KITS MAY INCLUDE EXTRA PARTS

NOTES

- * Not available as a service part.
- ** These parts are also available in colors and wood.

LEGEND

- † Specify finish.
- § Reference number only.
- Parts further exploded in catalog; see INDEX.