

Ordering Information

Applicable product:		
Single-hole sink	K-5902-1U	shown
Accessories/hardware:		
Hardwood cutting board	K-5906	optional

Product Information

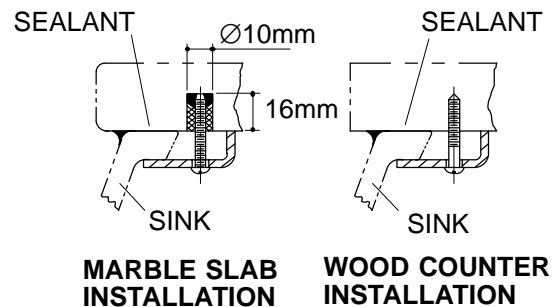
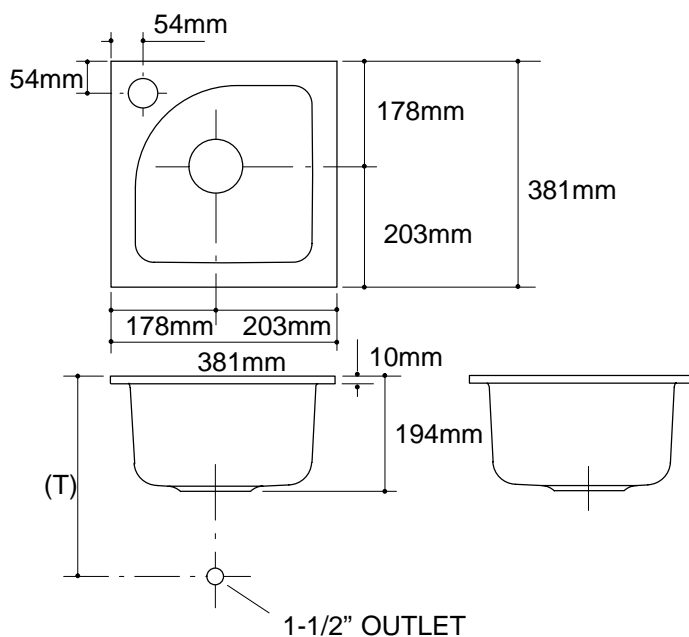
Fixture*:		basin area	water depth
Sink		305 x 305mm	178mm
Outlet	Ø92mm		
Faucet holes	Ø60mm		

* Approximate measurements for comparison only.

Included Components:	
Basin clamp assembly	52047
Cutout template	112823-7

Installation Notes

Refer to installation instructions included with fixture before beginning installation.



NOTE: WATERPROOF UNPROTECTED OVERHANG AREA ON THE UNDERSIDE OF WOOD COUNTER

Roughing-In Notes

Fixture dimensions are nominal and conform to tolerances in ASME/ANSI Standard A112.19.1M.

(T) Drain typically 330mm.

Supplied basin clamp assemblies require 25mm minimum countertop thickness. Installer must supply anchors for thinner countertops.

1.25>116