

Ordering Information

Applicable product:		
Heater version	K-1433-H	shown
Accessories/hardware:		
Jet trim kit	K-9696	required
Drain	K-7167	recommended
Apron	K-1435	optional
Vinyl tiling-in bead*	K-1181	optional
*Use K-1181 vinyl bead when wall material contacts any top surface of bath		

Required Electrical Service

Dedicated circuit required, protected with Class A Ground-Fault Circuit-Interrupter (GFCI):	
Pump/control, heater	120 V., 20 A, 60 Hz

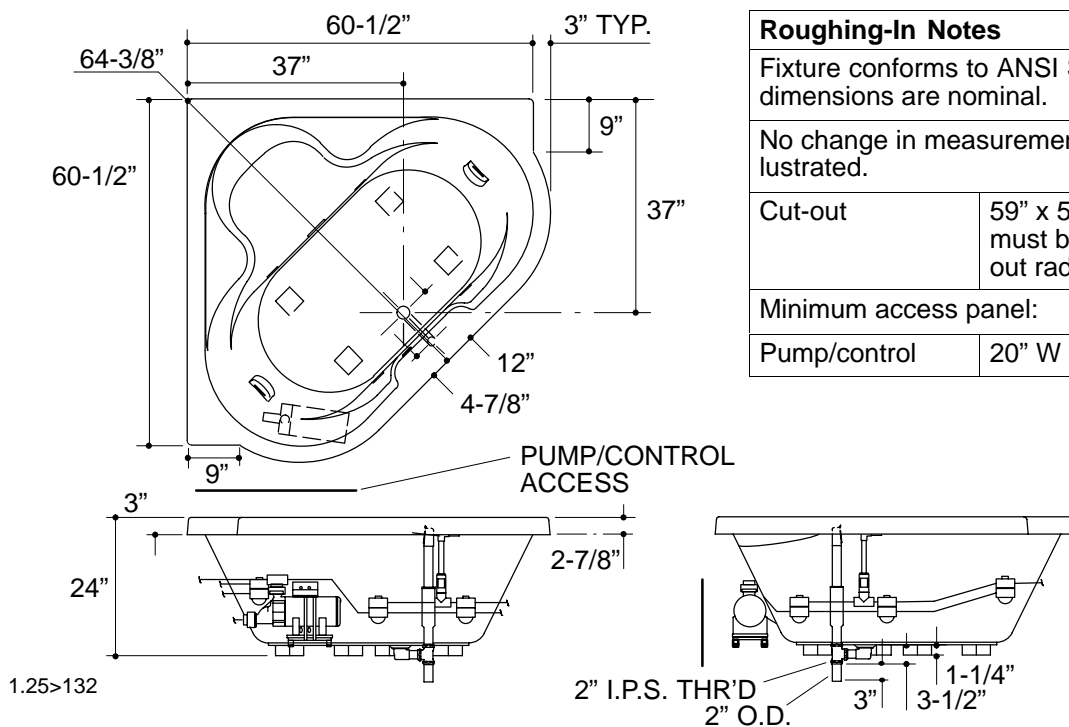
Product Information

Fixture*:	basin area	top area	weight		
Bathing well	45" x 25"	66" x 33"	155 lbs.		
	water depth	capacity			
To overflow	19"	112 gal.			
* Approximate measurements for comparison only.					
Pump	high HP	low HP	V	Hz	A
2-speed	1	1/8	120	60	16.5
Included Components:					
Cutout template			111461-7		

Installation Notes

If installing a rim-mount faucet, make sure there is no interference with drain overflow and circulating system before drilling any holes. Consult local and national codes for minimum air gap requirements if installing a spout on the faucet deck.

Each pump is supplied with a grounding type plug-in cord. Locate the outlet behind the whirlpool, and within 24" of the pump.



Roughing-In Notes

Fixture conforms to ANSI Standard Z124.1. All dimensions are nominal.

No change in measurements if connected with drain illustrated.

Cut-out 59" x 59" corner installation. Unit must be on job site to determine cut-out radius of contoured front.

Minimum access panel:

Pump/control	20" W x 15" H	required
--------------	---------------	----------

1.25>132