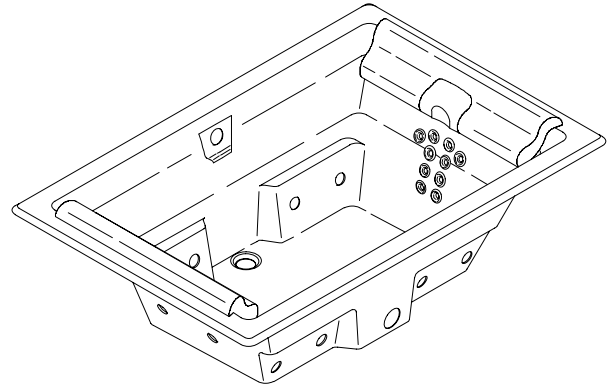


FEATURES

- 72" x 48" x 23"
- Acrylic
- System III - 2 hp variable flow pump with integral heater, electronic switch, and pulsating neckjets with pillow
- Ten color-matched sequencing Bodyssage™ backjets, and two large pillows
- UL Listed
- LESS ALL TRIM
- Pump is supplied with a grounding-type plug in cord



CODES/STANDARDS APPLICABLE

Specified model meets or exceeds the following:

- ANSI Z124.1
- ASME/ANSI A112.19.7M
- IAPMO/UPC
- Underwriters Laboratories (UL)
- State of Massachusetts

COLORS/FINISHES

- 0 White
- Other Refer to Fixtures Price Book for additional colors

Accessories:

- CP Polished Chrome
- PB Polished Brass
- SC Satin Chrome
- Other Refer to Faucets Price Book for additional finishes
- NA None Applicable

SPECIFIED MODEL:

Model	Description	Colors/Finishes	
K-1388	Whirlpool	<input type="checkbox"/> 0 White	<input type="checkbox"/> Other _____

Required Accessories			
K-9390	Jet trim kit	<input type="checkbox"/> CP	<input type="checkbox"/> PB <input type="checkbox"/> Other _____

Recommended Accessories			
K-7167	Drain	<input type="checkbox"/> CP	<input type="checkbox"/> PB <input type="checkbox"/> Other _____
K-7926-2	Pillows™ bath-mount high-flow bath faucet, 7" Flume spout OR	<input type="checkbox"/> PB	<input type="checkbox"/> SC
K-7929-2	Pillows™ bath-mount high-flow bath faucet, 9" Flume spout OR	<input type="checkbox"/> PB	<input type="checkbox"/> SC
K-7936-2	Pillows™ bath-mount high-flow bath faucet, 9-5/8" Bullnose spout OR	<input type="checkbox"/> PB	<input type="checkbox"/> SC
K-7938-2	Pillows™ bath-mount high-flow bath faucet, 6" Bullnose spout	<input type="checkbox"/> PB	<input type="checkbox"/> SC

Optional Accessories		
K-1179	Vinyl tiling-in bead (use when wall material contacts any top surface of bath)	<input type="checkbox"/> NA

PRODUCT SPECIFICATION:

The whirlpool shall be 72" in length, 48" in width, and 23" in height. Whirlpool shall be made of acrylic. Whirlpool shall have System III, 1 hp 2 speed pump with integral heater, electronic switch, and pulsating neckjets with pillow. Whirlpool shall have 10 color-matched sequencing Bodyssage™ backjets and two large pillows. Whirlpool shall be UL listed. Whirlpool shall be less all trim. Whirlpool pump shall be supplied with a grounding-type plug-in cord. Whirlpool shall be Kohler Model K-1388-_____.

PILLOWTALK™ II

REQUIRED ELECTRICAL SERVICE

Dedicated circuit required, protected with Class A Ground-Fault Circuit-Interrupter (GFCI):

Pump/control	120 V., 20 A, 60 Hz
--------------	---------------------

PRODUCT INFORMATION

Fixture*:	basin area	top area	weight
Bathing well	47" x 30"	62" x 38"	135 lbs.
	water depth	capacity	
To overflow	17-1/2"	124 gals.	

* Approximate measurements for comparison only.

Pump:	HP	V	Hz	A
1-speed	2	120	60	18.5

INSTALLATION NOTES

If installing a rim-mount faucet, make sure there is no interference with drain overflow and circulating system before drilling any holes. Consult local and national codes for minimum air gap requirements if installing a spout on the faucet deck.

Pump is supplied with a grounding type plug-in cord. Locate the outlet behind the whirlpool, and within 24" of the pump.

Roughing-In Notes

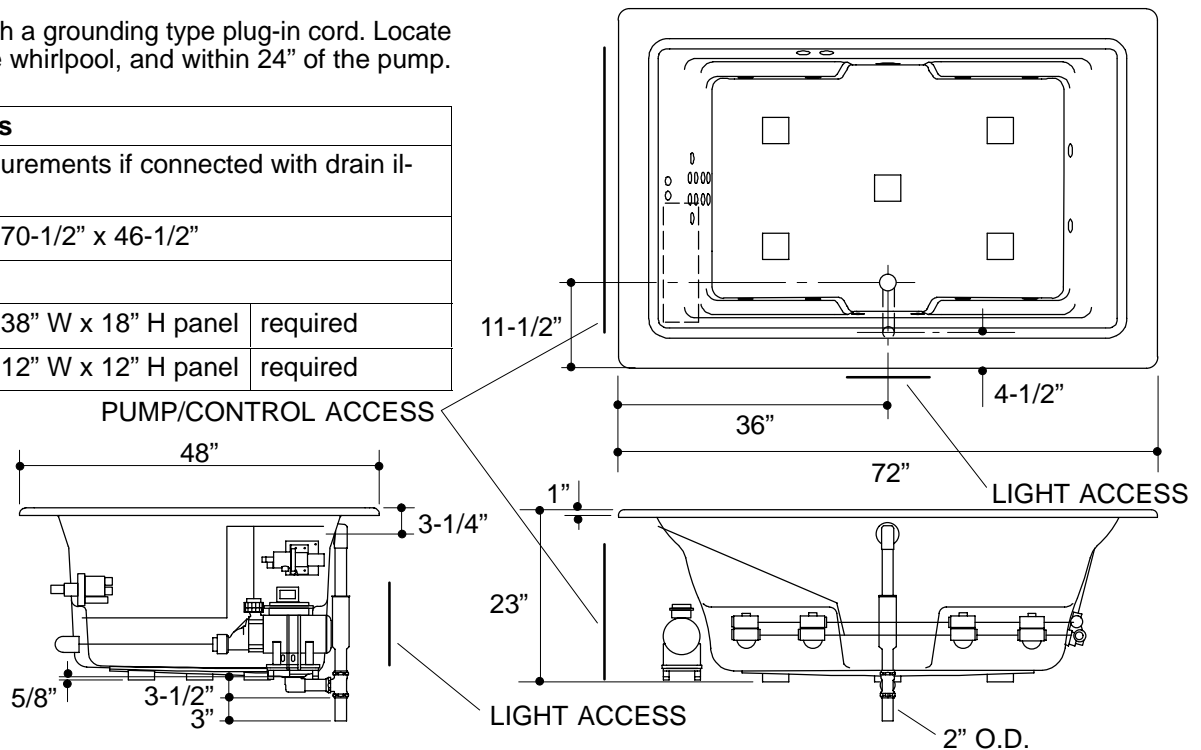
No change in measurements if connected with drain illustrated.

Cut-out	70-1/2" x 46-1/2"
---------	-------------------

Minimum access:

Pump/control	38" W x 18" H panel	required
--------------	---------------------	----------

Lights	12" W x 12" H panel	required
--------	---------------------	----------



1.25>132

PRODUCT DIAGRAM