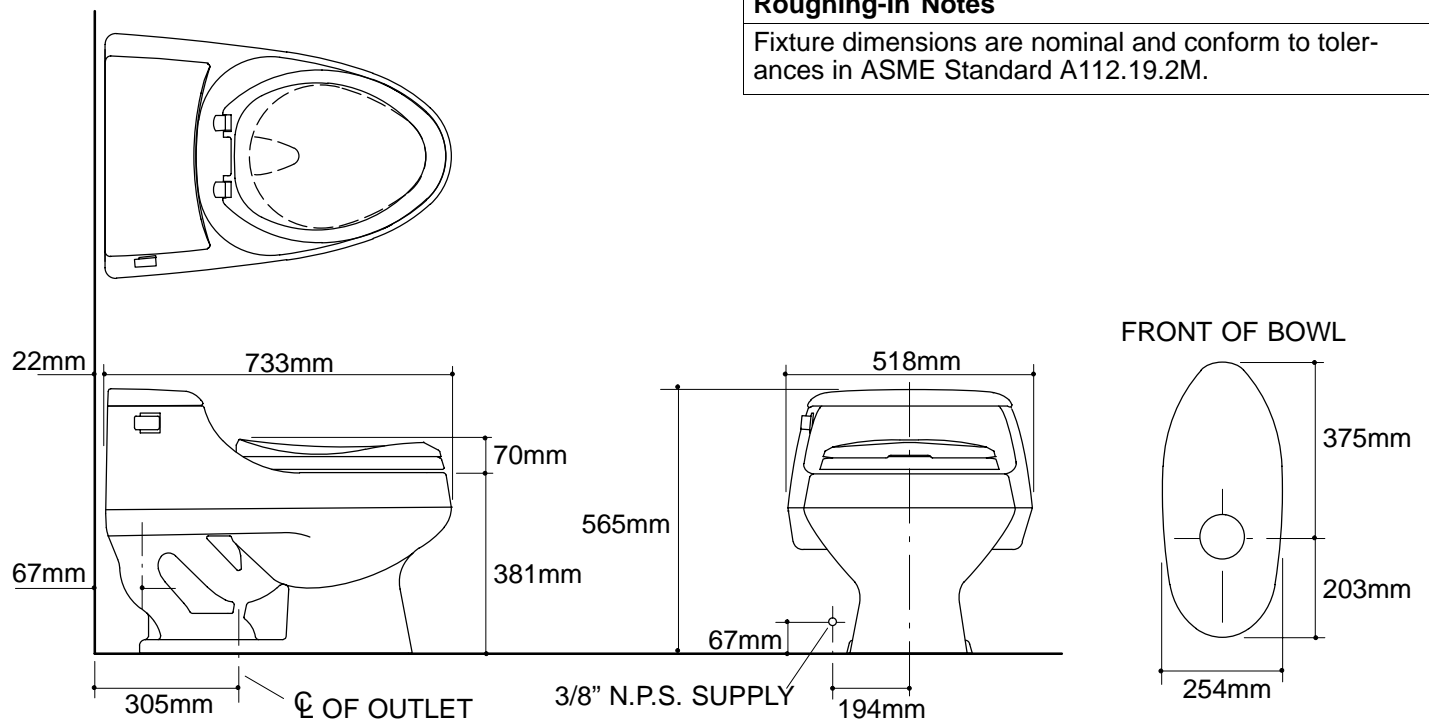


**Ordering Information**

|                       |        |             |
|-----------------------|--------|-------------|
| Accessories/hardware: |        |             |
| 3/8" supply           | K-7637 | recommended |
| Floor bolts (pr.)     | 21401  | recommended |

**Product Information**

|                         |                    |
|-------------------------|--------------------|
| Fixture:                |                    |
| Configuration           | 1-piece, elongated |
| Litres per flush        | 6 litres           |
| Passageway              | 51mm               |
| Water depth from rim    | 152mm              |
| Seat post hole centers  | 140mm              |
| Included Components:    |                    |
| Tank cover              | 84250              |
| Tank accessory pack     | 84301              |
| Bolt cap accessory pack | 52048              |
| Seat                    | K-4653             |
| Trip lever              | K-9430             |



116