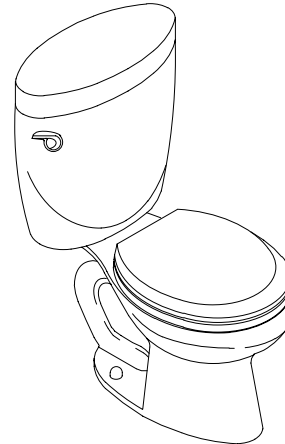


## FEATURES

- 12" rough-in
- Vitreous china
- Round front bowl
- Eco Lite system
- Includes a manual dual-flush trip lever to select either 1.1 gallon or 1.6 gallon flush
- Combination toilet
- Less seat and supply
- With Insuliner® insulated tank lining (-U)



## CODES/STANDARDS APPLICABLE

Specified model meets or exceeds the following:

- ASME/ANSI A112.19.2M
- ASME/ANSI A112.19.6M
- Energy Policy Act of 1992 (EPACT)

## COLORS/FINISHES

- 0 White
- Other Refer to Fixtures Price Book for additional colors

### Accessories:

- 0 White
- CP Polished Chrome
- PB Polished Brass
- Other Refer to Price Book for additional colors

## SPECIFIED MODEL:

| Model     | Description                | Colors/Finishes                  |                                     |
|-----------|----------------------------|----------------------------------|-------------------------------------|
| K-3472-K  | Round front bowl toilet    | <input type="checkbox"/> 0 White | <input type="checkbox"/> Other_____ |
| K-3472-KU | Toilet with insuliner tank | <input type="checkbox"/> 0 White | <input type="checkbox"/> Other_____ |

| Recommended Accessories |   |                                  |   |
|-------------------------|---|----------------------------------|---|
| K-4662                  | Lustra™ seat with cover                                 | <input type="checkbox"/> 0 White | <input type="checkbox"/> Other_____                             |
| K-4662-A                | Lustra™ seat with cover (includes anti-microbial agent) | <input type="checkbox"/> 0 White |   |
| K-4686-A                | Primary™ seat with scalloped side handles               | <input type="checkbox"/> 0 White | <input type="checkbox"/> Other_____                             |
| K-7637                  | Angle supply with stop                                  | <input type="checkbox"/> CP      | <input type="checkbox"/> PB <input type="checkbox"/> Other_____ |
| Optional Accessories    |   |                                  |   |
| K-9431                  | Dual-flush trip lever (non-CP)                          | <input type="checkbox"/> PB      | <input type="checkbox"/> Other_____                             |

## PRODUCT SPECIFICATION:

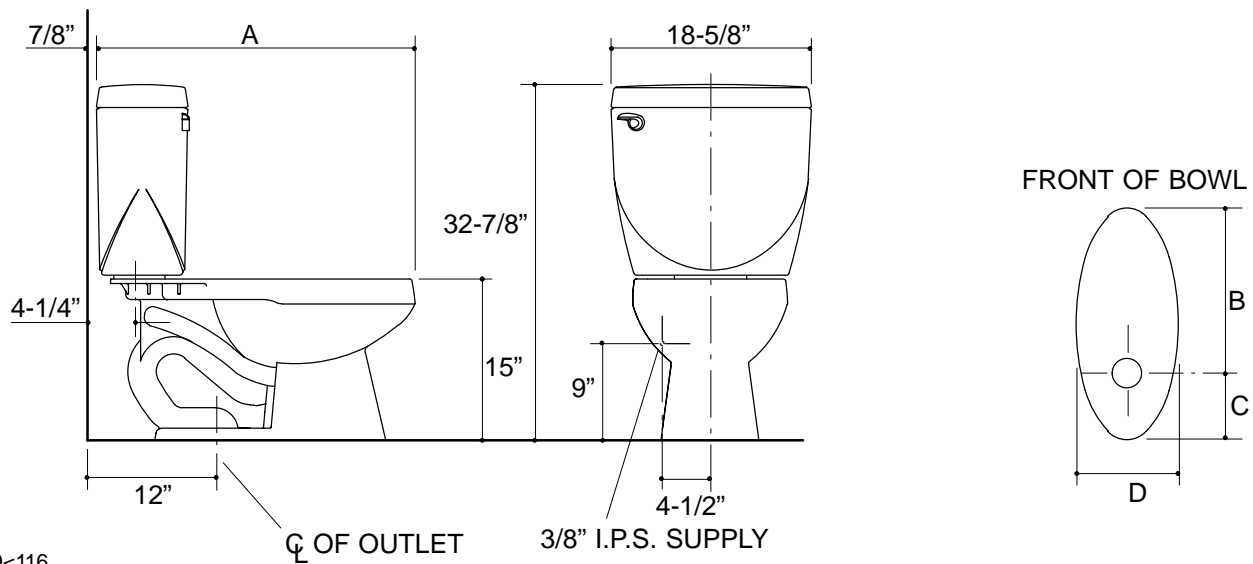
The round front toilet combination shall be 12" rough-in with Kohler Eco Lite system. Toilet shall be made of vitreous china. Toilet shall include a manual dual-flush trip lever to select either 1.1 gallon or 1.6 gallon flush. Toilet shall be less seat and supply. Toilet shall have Insuliner® insulated tank lining (-U). Toilet shall be Kohler Model K-3472-\_\_\_\_\_-\_\_\_\_\_.

## PRODUCT INFORMATION

|                              |             |
|------------------------------|-------------|
| Fixture:                     |             |
| Gallons per flush            | 1.6 gallons |
| Passageway                   | 1-3/4"      |
| Water depth from rim         | 6-3/4"      |
| Seat post hole centers       | 5-1/2"      |
| Included Components:         |             |
| Bowl, K-3472-K and K-3472-KU | K-4237-AB   |
| Tank                         | K-4591-K/KU |
| Tank cover                   | 80576       |
| Trip lever                   | 84128       |
| Bolt cap accessory pack      | 52048       |
| Tank accessory pack          | 73062       |

### Roughing-In Notes

|             | A       | B       | C       | D      |
|-------------|---------|---------|---------|--------|
| K-3472-K/KU | 27-1/2" | 14-1/8" | 6-3/16" | 9-3/4" |



## PRODUCT DIAGRAM