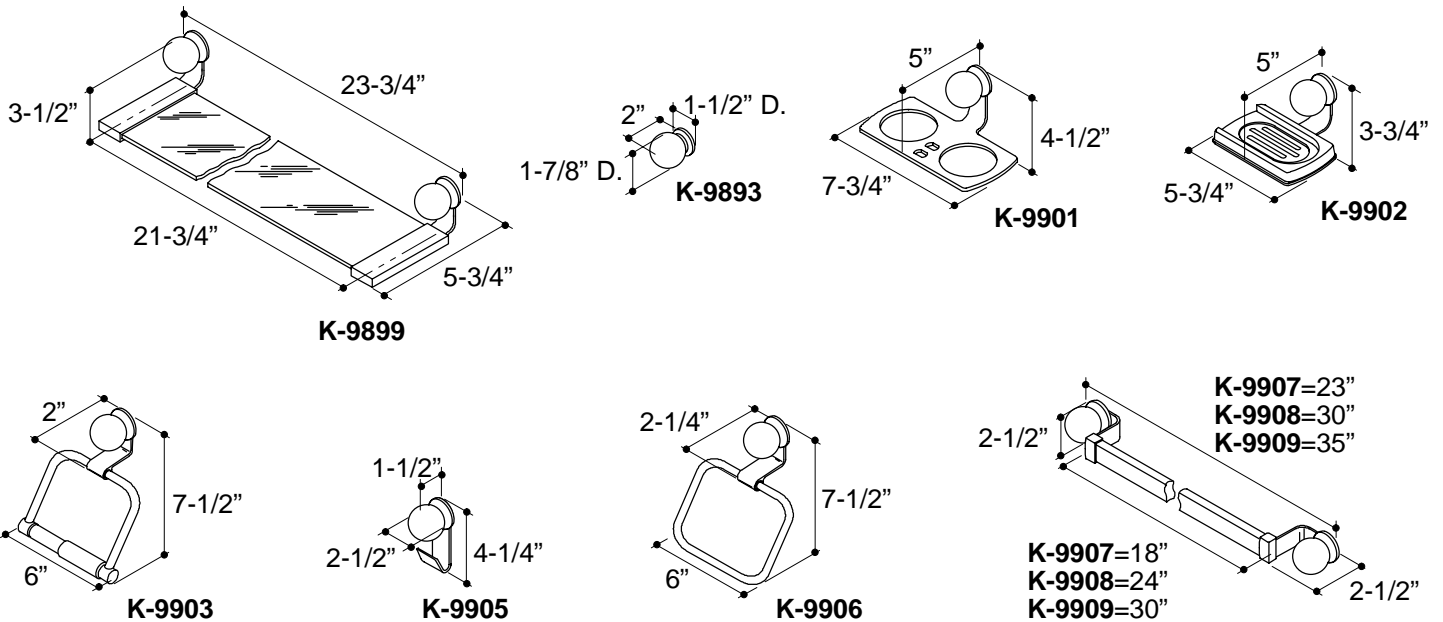


Ordering Information

Applicable product:	
Accessories trim kit, single	K-9893
Glass shelf	K-9899
Double tumbler and toothbrush holder	K-9901
Soap dish	K-9902
Toilet tissue holder	K-9903
Robe hook	K-9905
Towel ring	K-9906
18" towel bar	K-9907
24" towel bar	K-9908
30" towel bar	K-9909



K-9893 Cirrus™ Accessories
115016-1-AA (9619)

NOTES: