

**DOUBLE PANTRY FAUCET
K-7894**

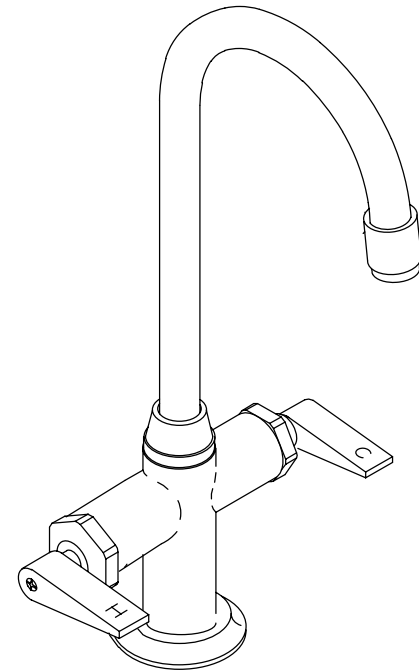
FEATURES

- Brass construction
- Single-hole mounting
- Brass valve bodies
- Quarter-turn washerless ceramic disc valves
- 5-1/2" gooseneck swing spout
- 2.2 gallons per minute
- Lever handles

CODES/STANDARDS APPLICABLE

Specified model meets or exceeds the following:

- ASME/ANSI A112.18.1M
- CSA B125
- Energy Policy Act of 1992
- IAPMO/UPC
- NSF 61



ADA

COLORS/FINISHES

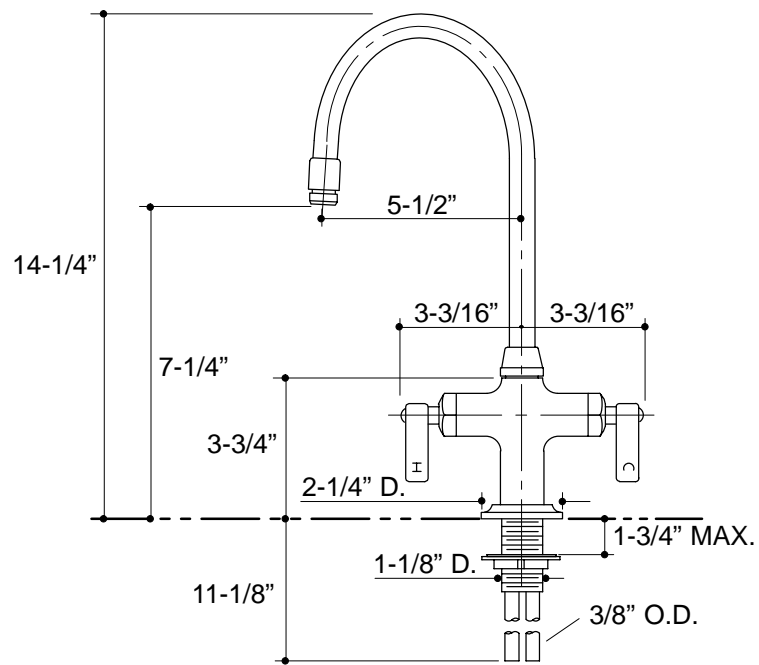
- CP Polished Chrome

SPECIFIED MODEL:

Model	Description	
K-7894	Blagdon Double Pantry Faucet	<input type="checkbox"/> CP

PRODUCT SPECIFICATION:

Two-handle double pantry faucet shall be of brass construction. Faucet shall feature brass valve bodies. Faucet shall feature quarter-turn washerless ceramic disc valves, assuring positive handle stop positioning. Product shall include single-hole mounting, 5-1/2" gooseneck swing spout, and lever handles. Faucet shall be Kohler Model K-7894-CP.



316

PRODUCT DIAGRAM