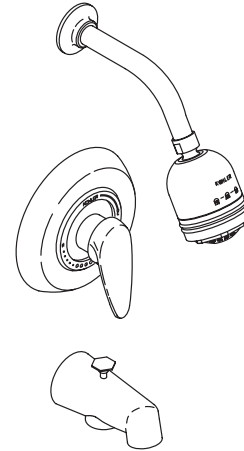


FEATURES

- Brass construction
- Lever handle
- Intended for use with Rite-Temp or Hi Flow Rite-Temp valves

**BATH AND SHOWER FAUCET TRIM
K-T14640-4
ALSO K-T14641-4, K-T14642-4, K-304,
K-306-KS**

ADA



CODES/STANDARDS APPLICABLE

Specified model meets or exceeds the following:

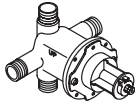
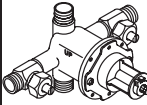
- ASME/ANSI A112.18.1M
- ASSE/ANSI 1016

COLORS/FINISHES

- CP Polished Chrome
- Other Refer to Faucets Price Book for additional finishes

SPECIFIED MODEL: For complete faucet, both faucet trim and Rite-Temp valve must be specified.

Model	Description		
K-T14640-4	Bath and Shower Faucet Trim	<input type="checkbox"/> CP	<input type="checkbox"/> Other_____
K-T14641-4	Shower Only Faucet Trim	<input type="checkbox"/> CP	<input type="checkbox"/> Other_____
K-T14642-4	Valve Only Faucet Trim	<input type="checkbox"/> CP	<input type="checkbox"/> Other_____

Required Accessory				
K-304-K	Rite-Temp Valve Without Stops	<input type="checkbox"/> NA		
K-304-KS	Rite-Temp Valve With Stops		<input type="checkbox"/> NA	
K-306-KS	Hi Flow Rite-Temp Valve With Integral Stops			<input type="checkbox"/> NA

Optional Accessory				
88526	Hi Flow Rite-Temp Thin Wall Installation Kit	<input type="checkbox"/> CP	<input type="checkbox"/> PB	<input type="checkbox"/> Other_____

PRODUCT SPECIFICATION:

Rite-Temp pressure-balancing single-control bath and shower faucet trim shall be of brass construction. Bath and shower trim shall include 3-way showerhead with arm and flange, 4-7/8" diverter spout with N.P.S. connection, and faceplate with handle. Shower only trim shall include 3-way showerhead with arm and flange, and faceplate with handle. Valve only trim shall include faceplate with handle. Faucet trim shall be K-T_____4-_____ and Rite-Temp valve shall be K-304-_____-NA OR K-306-KS-NA Hi Flow Rite-Temp valve.

PRODUCT INFORMATION

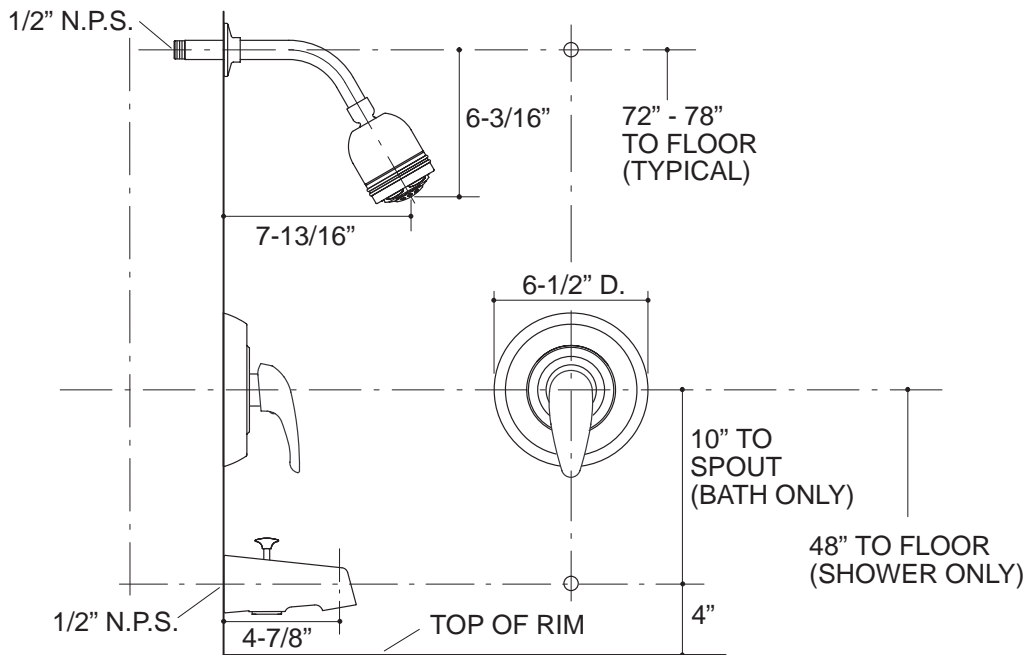
WARNING: Risk of damage to the K-306-KS valve assembly. When using the K-306-KS valve in a fiberglass or acrylic installation, use the thin wall installation kit (88526).

INSTALLATION NOTES

Avoid cross-flow conditions. Do not install shut-off device on either valve outlet.

Cap shower outlet if deck-mount spout, diverter, or handshower is connected to spout outlet.

Install straight pipe or tube drop of 7 to 18" with single elbow between valve and wall-mount spout.



PRODUCT DIAGRAM