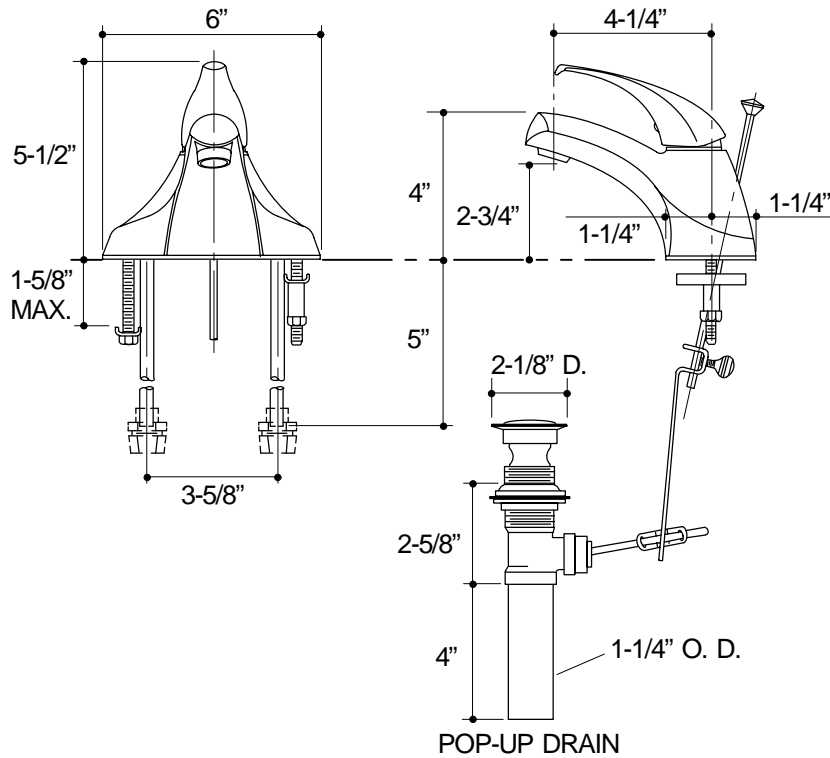


Ordering Information

Applicable faucet:	
With pop-up drain	K-15182
With 16" long supplies and pop-up drain	K-15182-L
With ground joints and pop-up drain	K-15182-P
ADA Lever handle is ADA compliant	



316

K-15182 Coralais™ Lavatory Faucet
115834-1-AA (-)

NOTES: