

Ordering Information

Applicable product:		
Spun Glass Vessels	K-2276	shown
Accessories/hardware:		
Vessels wall-mount bracket	K-9655	optional
Drain	K-7702-BA	required
Trap	K-9018	recommended

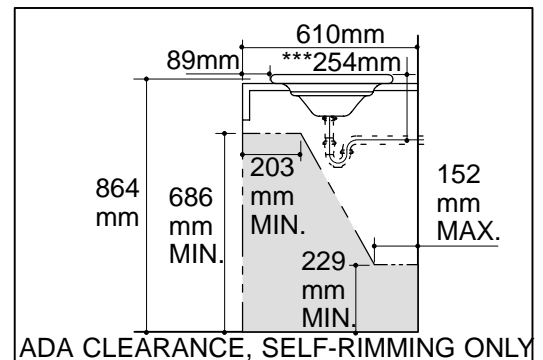
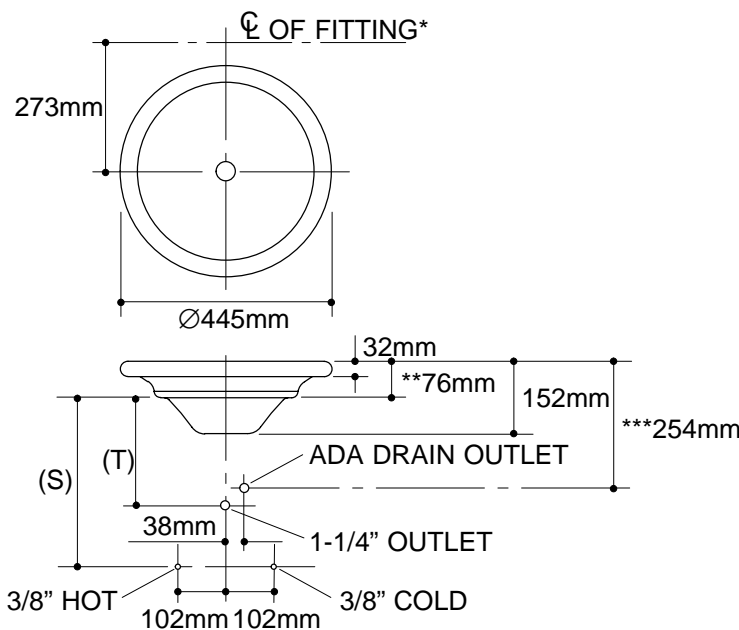
Product Information

ADA compliant, self-rimming only:			
Fixture*:		basin area	water depth
Lavatory		Ø381mm	140mm
Outlet	Ø44mm		
* Approximate measurements for comparison only.			
Included Components:			
Installation tape			84938
Cutout template			115888-7

Installation Notes

Refer to installation instructions included with fixture before beginning installation.

Product does not have an overflow.



Roughing-In Notes

(T) Pop-up drain 229mm.

(S) 356mm (Based on 305mm riser which may require cutting).

*Spout must be 127mm long (min.) for adequate clearance into lavatory when installed with centerline as shown.

**Spout must be tall enough to clear 76mm rim height and provide a 25mm air gap per ASME A112.1.2

***Based on K-9018, with 25mm of tailpiece exposed.