

Ordering Information

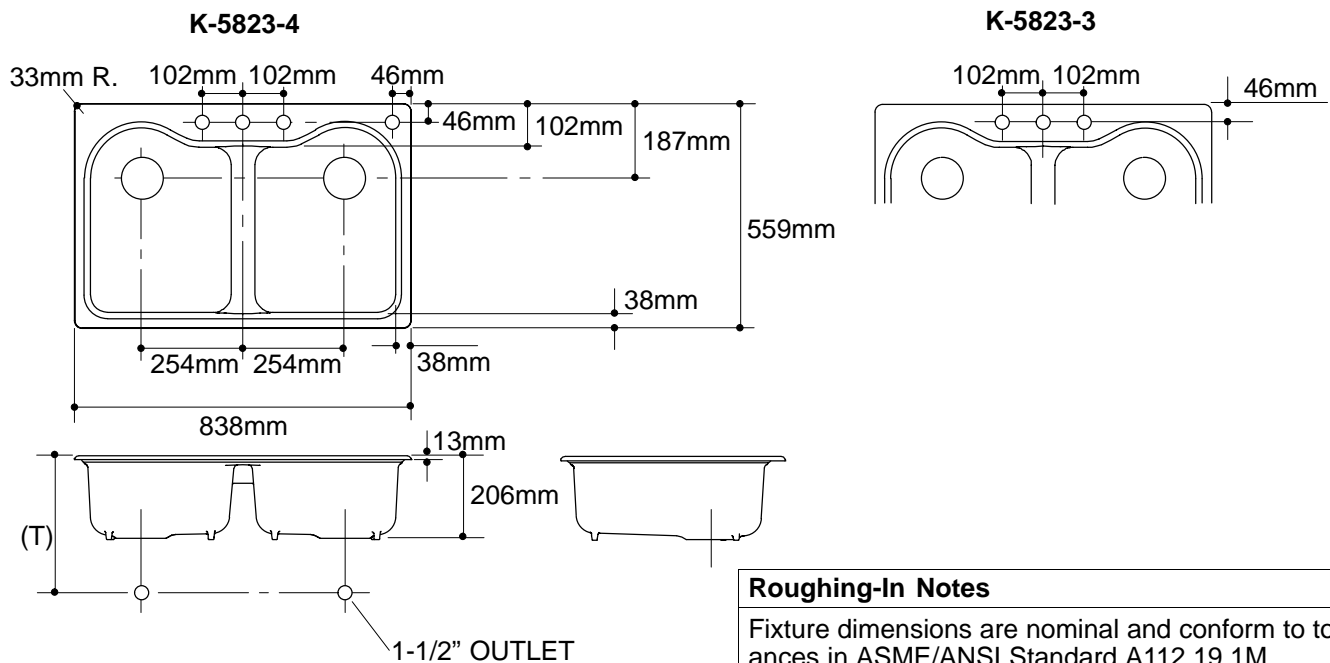
Applicable product:		
Four-hole sink	K-5823-4	shown
Three-hole sink	K-5823-3	not shown
Accessories/hardware:		
Hardwood cutting board	K-6559	optional

Product Information

Fixture*:		basin area	water depth
Sinks		356 x 457mm	178mm
Outlet	Ø98mm		
Faucet and spout holes	Ø35mm		
* Approximate measurements for comparison only.			

Installation Notes

Refer to installation instructions included with fixture before beginning installation.



Roughing-In Notes

Fixture dimensions are nominal and conform to tolerances in ASME/ANSI Standard A112.19.1M.

(T) Drain typically 343mm.

Cutout 806 x 527mm with 25mm radius corners.

.85<116

K-5823 Hartland™ Sink
115918-1M-CA (-)

KOHLER[®]