

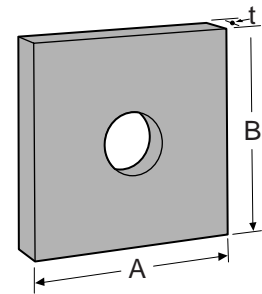
## ATS – PLATE WASHERS

Model	A (in)	B (in)	Hole Dia. (in)	t (in)
ATS-PW4	2 <sup>3</sup> / <sub>8</sub>	2	9/16	5/8
ATS-PW5	2 <sup>3</sup> / <sub>8</sub>	2	1 <sup>1</sup> / <sub>16</sub>	5/8
ATS-PW6	2 <sup>3</sup> / <sub>8</sub>	2	1 <sup>3</sup> / <sub>16</sub>	5/8
ATS-PW7	2 <sup>3</sup> / <sub>8</sub>	2	1 <sup>5</sup> / <sub>16</sub>	5/8
ATS-PW8	2 <sup>3</sup> / <sub>8</sub>	2	1 <sup>1</sup> / <sub>16</sub>	5/8
ATS-PW9	2 <sup>3</sup> / <sub>8</sub>	2	1 <sup>3</sup> / <sub>16</sub>	5/8

1. Used above 3 series plates at rod terminations when necessary.

Model	A (in)	B (in)	Hole Dia. (in)	t (in)
ATS-DW4	2 <sup>7</sup> / <sub>8</sub>	3	9/16	5/8
ATS-DW5	2 <sup>7</sup> / <sub>8</sub>	3	1 <sup>1</sup> / <sub>16</sub>	3/4
ATS-DW6	2 <sup>7</sup> / <sub>8</sub>	3	1 <sup>3</sup> / <sub>16</sub>	3/4
ATS-DW7	2 <sup>7</sup> / <sub>8</sub>	3	1 <sup>5</sup> / <sub>16</sub>	3/4
ATS-DW8	2 <sup>7</sup> / <sub>8</sub>	3	1 <sup>1</sup> / <sub>16</sub>	3/4
ATS-DW9	2 <sup>7</sup> / <sub>8</sub>	3	1 <sup>3</sup> / <sub>16</sub>	3/4

1. Used with ATS-2BH, ATS-2CH, ATS-2DH, or AB-2EH cages at rod termination.

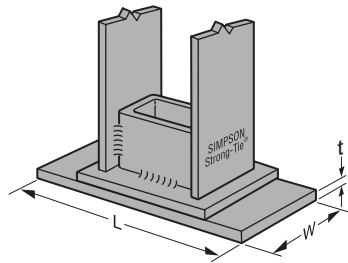


ATS Plate Washer

## ATS – 3 SERIES PLATE WASHERS

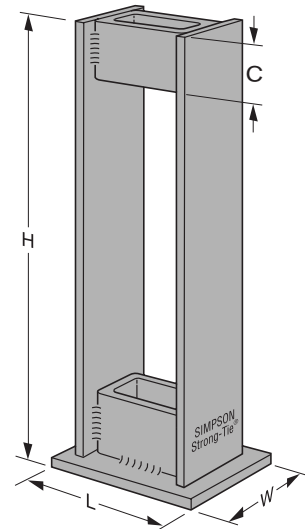
Model	A (in)	B (in)	Hole Dia. (in)	t (in)
ATS-3B	3	3	9/16	3/8
ATS-3C	4	3	1 <sup>1</sup> / <sub>16</sub>	3/8
ATS-3D	5 <sup>1</sup> / <sub>2</sub>	3	1 <sup>1</sup> / <sub>16</sub>	1/2
ATS-3E	5 <sup>1</sup> / <sub>2</sub>	3 <sup>1</sup> / <sub>2</sub>	1 <sup>3</sup> / <sub>16</sub>	5/8
ATS-3G	6	3 <sup>1</sup> / <sub>2</sub>	1 <sup>5</sup> / <sub>16</sub>	5/8
ATS-3J	8	3 <sup>1</sup> / <sub>2</sub>	1 <sup>5</sup> / <sub>16</sub>	7/8
ATS-3K	9	3 <sup>1</sup> / <sub>2</sub>	1 <sup>1</sup> / <sub>16</sub>	7/8
ATS-3U	6 <sup>1</sup> / <sub>2</sub>	3 <sup>1</sup> / <sub>2</sub>	9/16	5/8
ATS-3V	8 <sup>1</sup> / <sub>2</sub>	3 <sup>1</sup> / <sub>2</sub>	1 <sup>1</sup> / <sub>16</sub>	7/8
ATS-3W	10	3 <sup>1</sup> / <sub>2</sub>	1 <sup>3</sup> / <sub>16</sub>	1
ATS-3WW	10	3 <sup>1</sup> / <sub>2</sub>	1 <sup>1</sup> / <sub>16</sub>	1 <sup>1</sup> / <sub>8</sub>
ATS-3X	11	3 <sup>1</sup> / <sub>2</sub>	1 <sup>3</sup> / <sub>16</sub>	1 <sup>3</sup> / <sub>8</sub>
ATS-3Y	12	3 <sup>1</sup> / <sub>2</sub>	1 <sup>3</sup> / <sub>16</sub>	1 <sup>1</sup> / <sub>4</sub>
ATS-3Z	13	3 <sup>1</sup> / <sub>2</sub>	1 <sup>5</sup> / <sub>16</sub>	1 <sup>1</sup> / <sub>2</sub>
ATS-3ZZ	13	3 <sup>1</sup> / <sub>2</sub>	1 <sup>3</sup> / <sub>16</sub>	1 <sup>1</sup> / <sub>2</sub>
ATS-3ZX	15	3 <sup>1</sup> / <sub>2</sub>	1 <sup>5</sup> / <sub>16</sub>	1 <sup>1</sup> / <sub>2</sub>

1. Other plates available, contact factory.



Optional ATS-PL1, ATS-PL2, ATS-PL3

(For increasing maximum incremental story bearing capacity of ATS Cage.)



ATS-2BH, ATS-2CH, ATS-2DH, and ATS-2EH

## ATS – CAGES AND PL PLATES

Model	L	W	t	H	C	Bearing Capacity				Tension Capacity (lbs)	
						D.Fir-L Plates (lbs)	SP Plates (lbs)	Hem-Fir Plates (lbs)	S-P-F Plates (lbs)	(100)	(133)
ATS-2BH	3 3/4	3	1/4	13	2	7,125	6,440	4,620	4,840	19,400	19,400
ATS-2CH	4 1/2	3	1/4	13 1/4	2 5/8	8,540	7,720	5,530	5,810	25,210	25,210
ATS-2DH	5	3	3/8	15	3	9,335	8,440	6,050	6,350	41,200	41,200
ATS-2EH	5	3	3/8	16	3 1/2	9,335	8,440	6,050	6,350	60,400	60,400
ATS-PL1	6	3	1/2	-	-	10,400	9,405	6,740	7,075	-	-
ATS-PL2	9	3	1	-	-	16,020	14,490	10,390	10,900	-	-
ATS-PL3	12	3	1 3/8	-	-	21,650	19,580	14,032	14,725	-	-

- 1" maximum rod diameter for ATS-2BH and ATS-2CH cages.
- 1 1/8" maximum rod diameter for ATS-2DH and ATS-2EH cages.
- ATS-PL1, ATS-PL2, and ATS-PL3 plate washers have a 1 1/16" diameter hole.