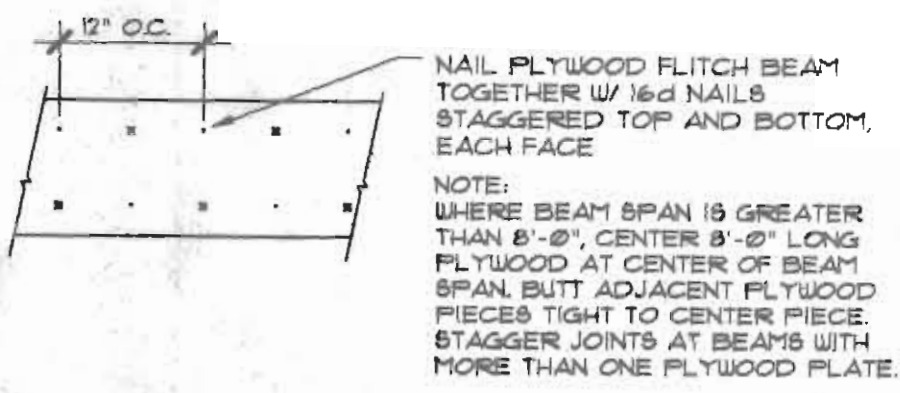
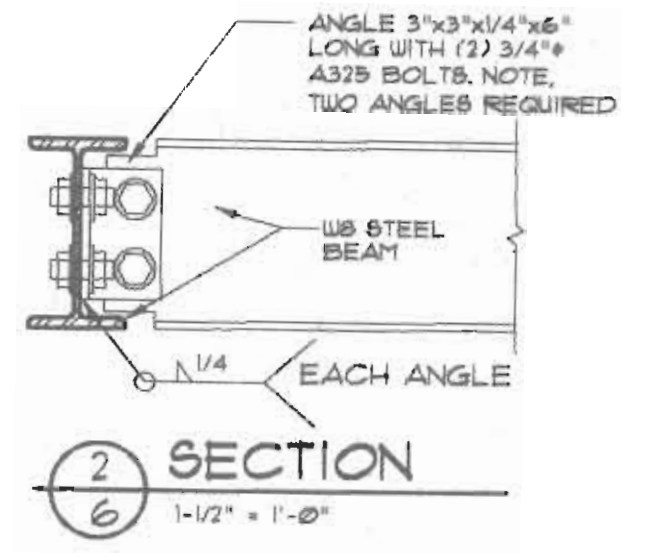
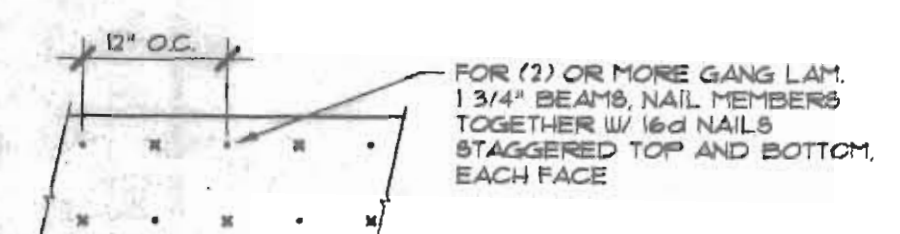


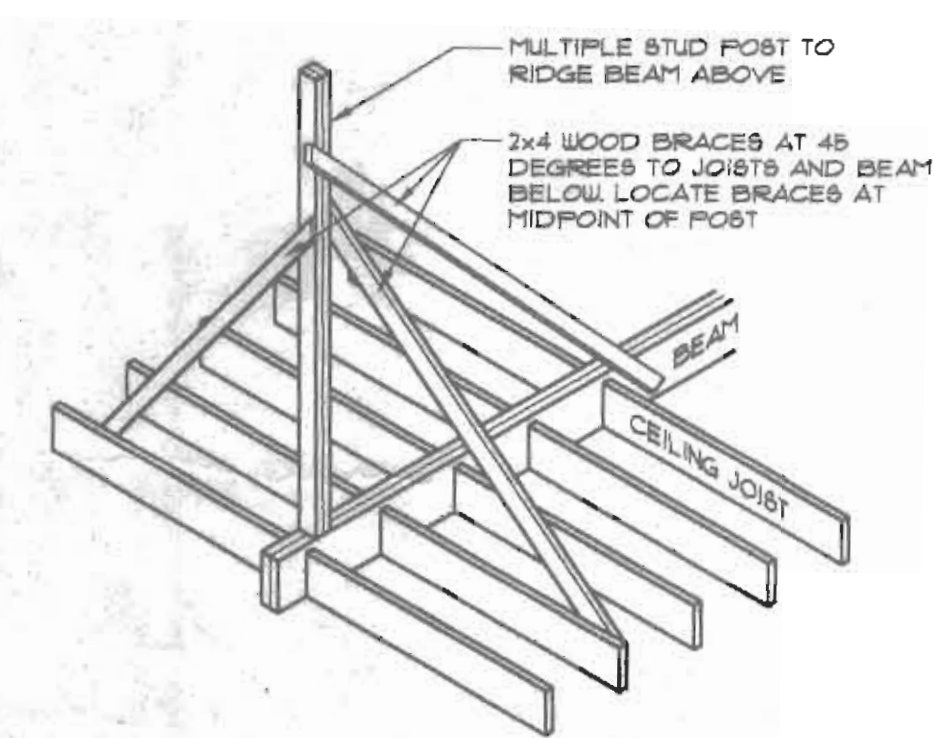
STRUCTURAL LEGEND	
RAFTERS (OC)	RAFTERS, 2x6'S @ 16" O.C. UNLESS NOTED OTHERWISE
FL. JST'S. (OC)	FLOOR JOISTS, 2x10'S @ 16" O.C. WITH BRIDGINS UNLESS NOTED OTHERWISE
CLG. JST'S. (OC)	CEILING JOISTS, 2x8'S @ 16" O.C. UNLESS NOTED OTHERWISE



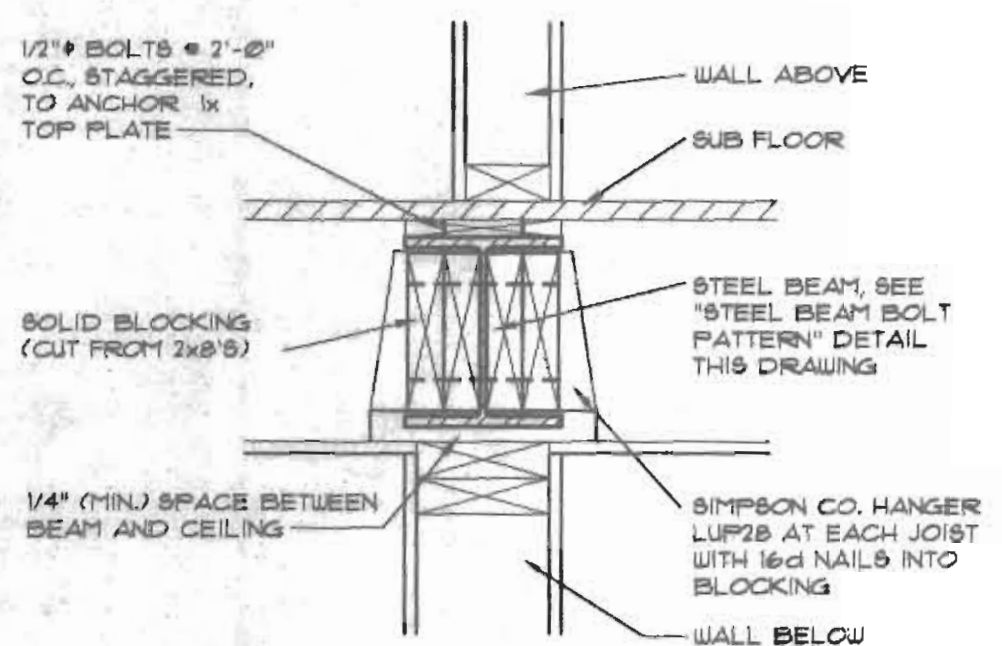
PLYWOOD FLITCH BEAM DETAIL  
NOT TO SCALE



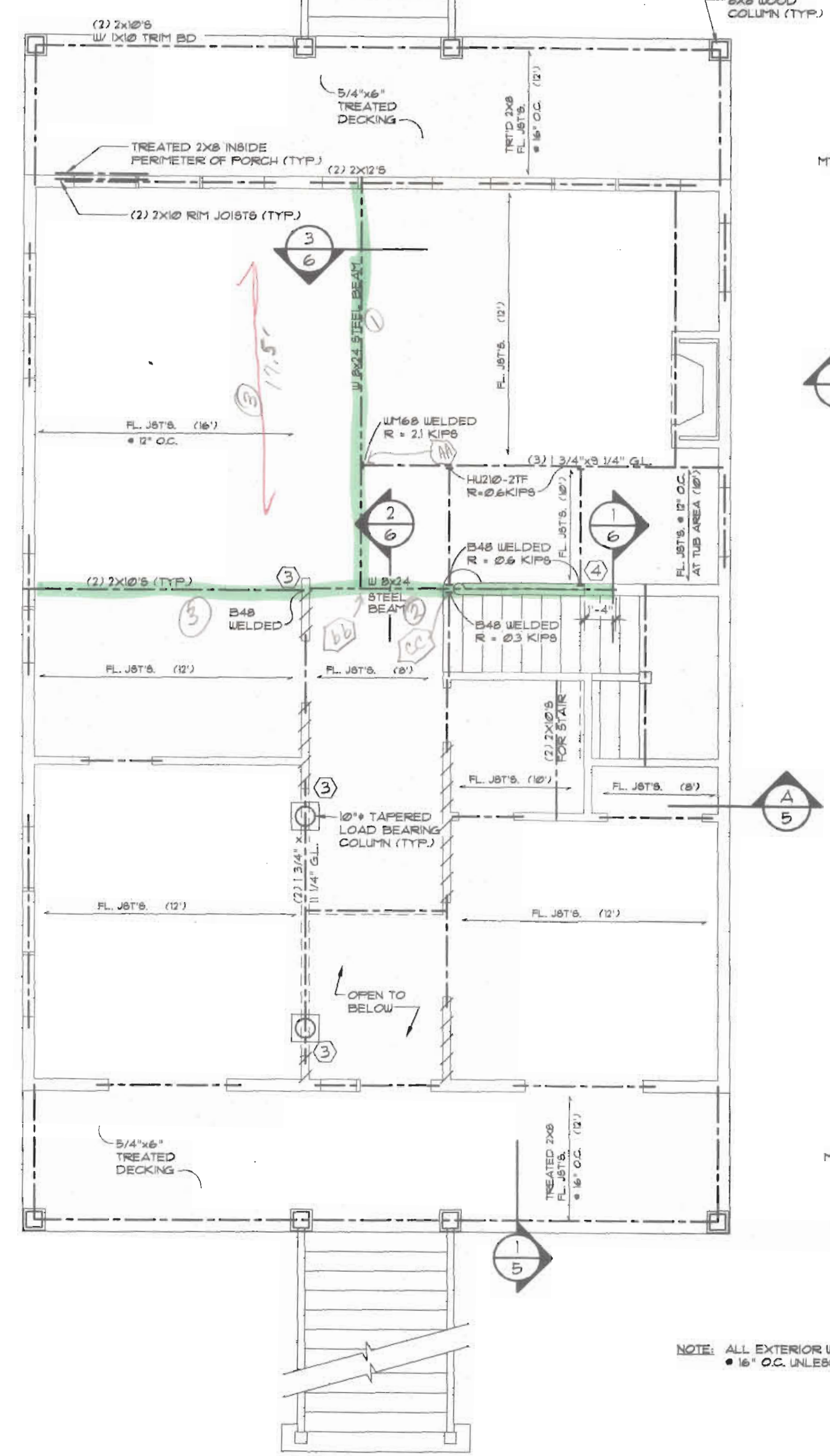
MULTIPLE GANG LAM. DETAIL  
NOT TO SCALE



DETAIL OF POST FROM BEAM TO RIDGE BEAM



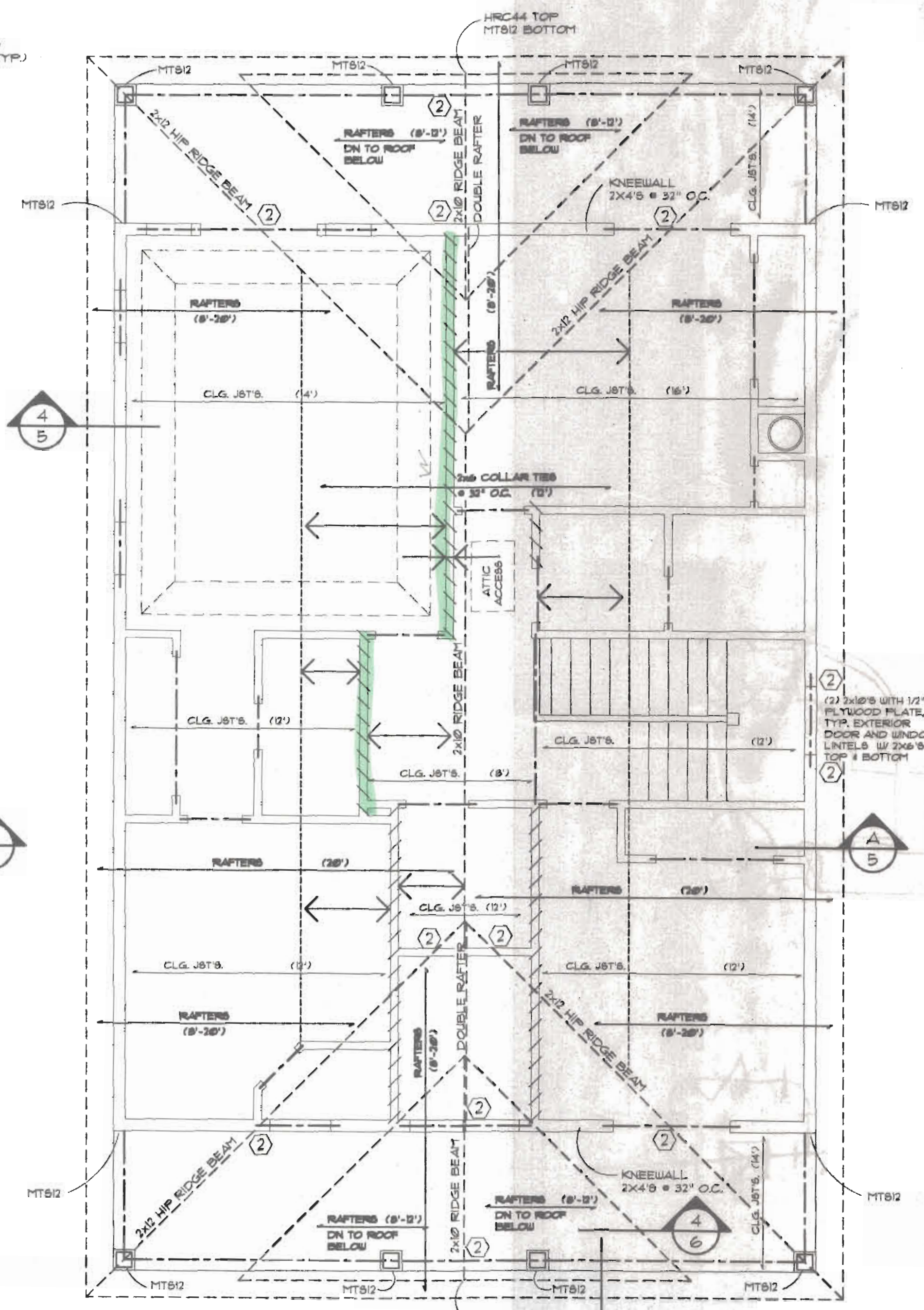
SECTION 1  
1-1/2" x 1'-0"



SECOND FLOOR STRUCTURAL PLAN  
1/4" x 1'-0"

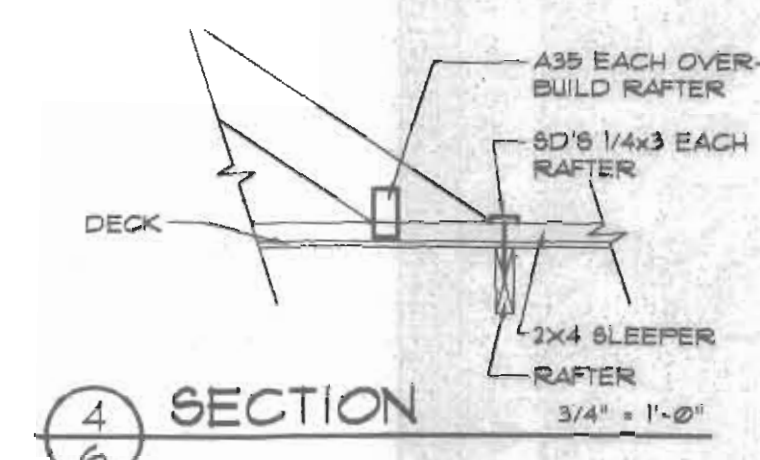
NOTE: ALL EXTERIOR WALLS ARE 2x6 @ 16" O.C. UNLESS NOTED OTHERWISE

GABLE PLAN  
1/4" x 1'-0"



ROOF AND CEILING STRUCTURAL PLAN  
1/4" x 1'-0"

GABLE PLAN  
1/4" x 1'-0"



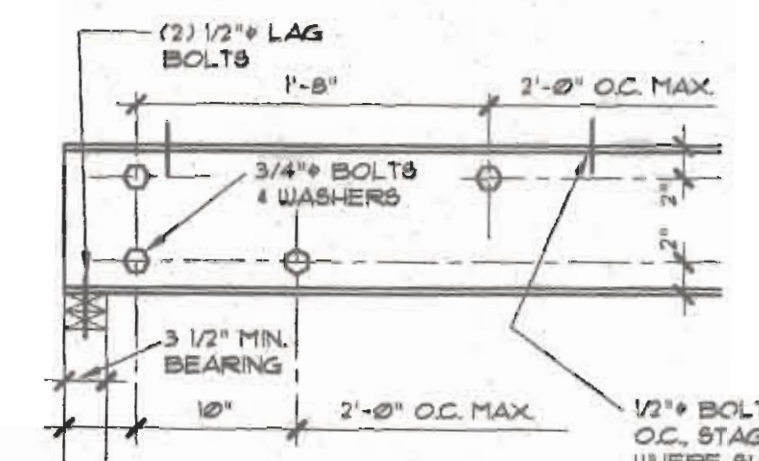
SECTION 4  
3/4" x 1'-0"

STRUCTURAL NOTES

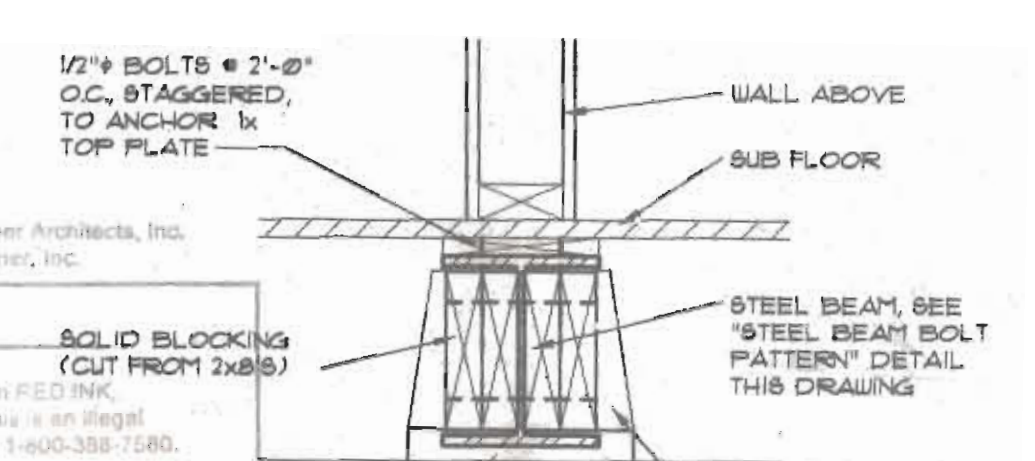
- PHANTOM LINE INDICATES STEEL BEAM
- THIS SYMBOL INDICATES LOAD BEARING INTERIOR WALLS. ALL EXTERIOR WALLS ARE LOAD BEARING
- DASH LINE INDICATES ROOF FRAMING
- CENTER LINE INDICATES BEAMS BELOW ROOF. (SEE STUD NOTE 3) BELOW
- INDICATES THE NUMBER OF STUDS UNDER BEAM ABOVE. NOTE: IF NUMBER OF STUDS AT BEAM ENDS ARE NOT INDICATED, USE (2) STUDS.
- UNLESS NOTED OTHERWISE, ALL INTERIOR DOOR AND WALL OPENINGS IN LOAD BEARING WALLS SHALL HAVE (2) 2x10 LINTEL WITH (2) STUDS AT EACH LINTEL END (TYPICAL).
- UNLESS NOTED OTHERWISE, ALL EXTERIOR DOOR AND WINDOW OPENINGS SHALL HAVE (2) 2x10'S WITH 1/2" PLYWOOD PLATE LINTEL. USE (2) STUDS AT LINTEL ENDS UNLESS OTHERWISE NOTED. PROVIDE STEEL LINTEL ANGLES W/ 4" MIN. BEARING WHERE REQUIRED OVER EXTERIOR MASONRY WALL OPENINGS.
- AT ALL BUILDING CORNERS USE NOMINAL 1/2" STRUCTURAL GRADE 2 PLYWOOD OR NOMINAL 1/2" OSB (ORIENTED STRAND BOARD) MIN. 4"-0" WIDTH, USE 8d NAILS @ 4" O.C. FOR EDGE NAILING AND 12" O.C. FOR ALL INTERMEDIATE NAILING.
- CONNECTORS INDICATED ARE MANUFACTURED BY THE SIMPSON STRONG-TIE COMPANY, INC. SAN LEANDRO, CALIFORNIA 94577 (800-999-5099)
- BRACE ROOF TO WALL OR BEAM BELOW W/ 2x4'S @ 32" O.C.

DESIGN CRITERIA

- (NOTE: ACTUAL DESIGN CRITERIA IN YOUR AREA MAY VARY. IT IS THE RESPONSIBILITY OF THE OWNER/BUILDER TO VERIFY THESE.)
- FRAMING DESIGN BASED ON THE FOLLOWING LOADING CONDITIONS:
    - ROOF & FLOOR DEAD LOADS - 15 P.S.F.
    - ROOF LIVE LOAD - 20 P.S.F.
    - FLOOR LIVE LOAD - 40 P.S.F.
    - MAXIMUM WIND SPEED - 110 M.P.H.
  - VERIFY SEISMIC REQUIREMENTS FOR YOUR AREA.
  - SOIL DESIGN BEARING PRESSURE IS ASSUMED 2000 P.S.F. LOCAL SOIL CONDITIONS AND/OR LOCAL PRACTICE MAY NECESSITATE A MORE STRINGENT FOOTING AND FOUNDATION WALL DESIGN. CONSULT WITH LOCAL CONTRACTOR OR BUILDING INSPECTOR.
  - INSULATION:
    - CEILING - R-30
    - WALL - R-13 (R-19 @ 2x6 WALLS)
    - FLOOR - R-13
  - GL. MATERIAL SPECS. LAMINATED VENEER LUMBER GANG LAM LVL SHALL BE BY LOUISIANA-PACIFIC OF WILMINGTON, NC (800-999-3055) OR APPROVED EQUAL SUPPLIER. PROPERTIES SHALL MEET OR EXCEED:
    - F<sub>b</sub> = 2550 PSI
    - F<sub>v</sub> = 280 PSI
    - E = 2,000,000 PSI
 GANG LAM 10" LVL'S ARE INDICATED. GANG LAM 10" LVL'S CAN BE USED BUT VARY FROM SIZES INDICATED.



STEEL BEAM BOLT PATTERN  
NOT TO SCALE



SECTION 3  
1-1/2" x 1'-0"

ALL FEDERAL, STATE, AND LOCAL CODES, ORDINANCES, REGULATIONS ETC. SHALL BE CONSIDERED AS PART OF SPECIFICATIONS FOR THIS BUILDING AND SHALL TAKE PRECEDENCE OVER ANYTHING SHOWN, DESCRIBED, OR IMPLIED WHERE SAME ARE AT VARIANCE

DONALD A. GARDNER, INC.  
 ARCHITECTS • PLANNERS  
 P. O. BOX 26178 • GREENVILLE S.C. • 29616  
 864 • 288 • 7580  
 WWW.DONGARDNER.COM

DESIGN NO. 156-C  
 SHEET OF 6 CLT  
 STRUCTURAL PLANS

DO NOT SCALE DRAWINGS.  
 COPYRIGHT © 4/4/99 ALL RIGHTS RESERVED BY DONALD A. GARDNER, INC.  
 NOT TO BE COPIED OR REPRODUCED WITHOUT WRITTEN PERMISSION