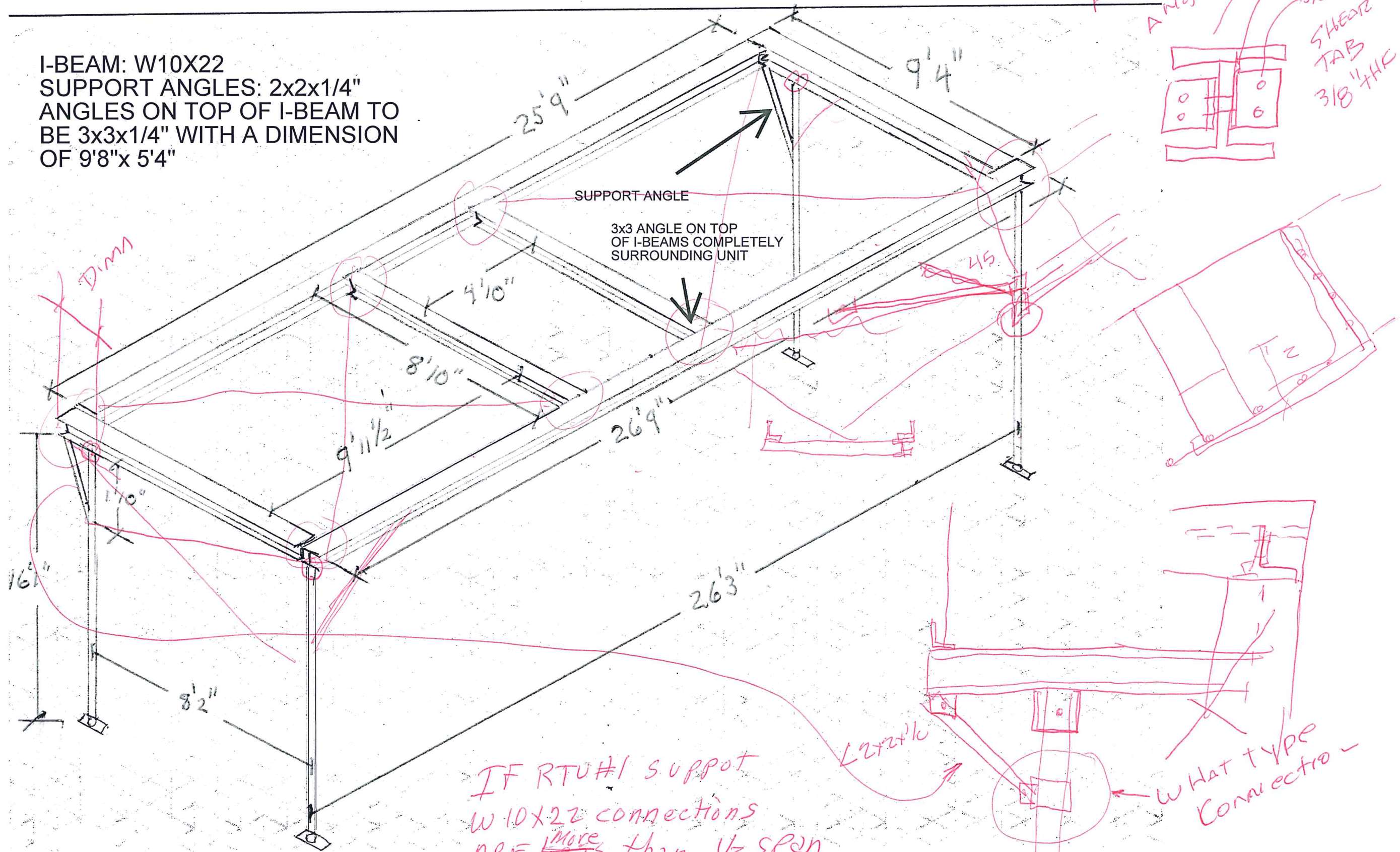


BOYET RTU 1 PLATFORM DIMENSIONS

I-BEAM: W10X22
 SUPPORT ANGLES: 2x2x1/4"
 ANGLES ON TOP OF I-BEAM TO
 BE 3x3x1/4" WITH A DIMENSION
 OF 9'8" x 5'4"



IF RTU#1 support
 W10X22 connections
 ARE ~~less~~ ^{more} than 1/3 SPAN
 OF 26' Long W10x22
 then Add additional Cross

L2x2x1/4

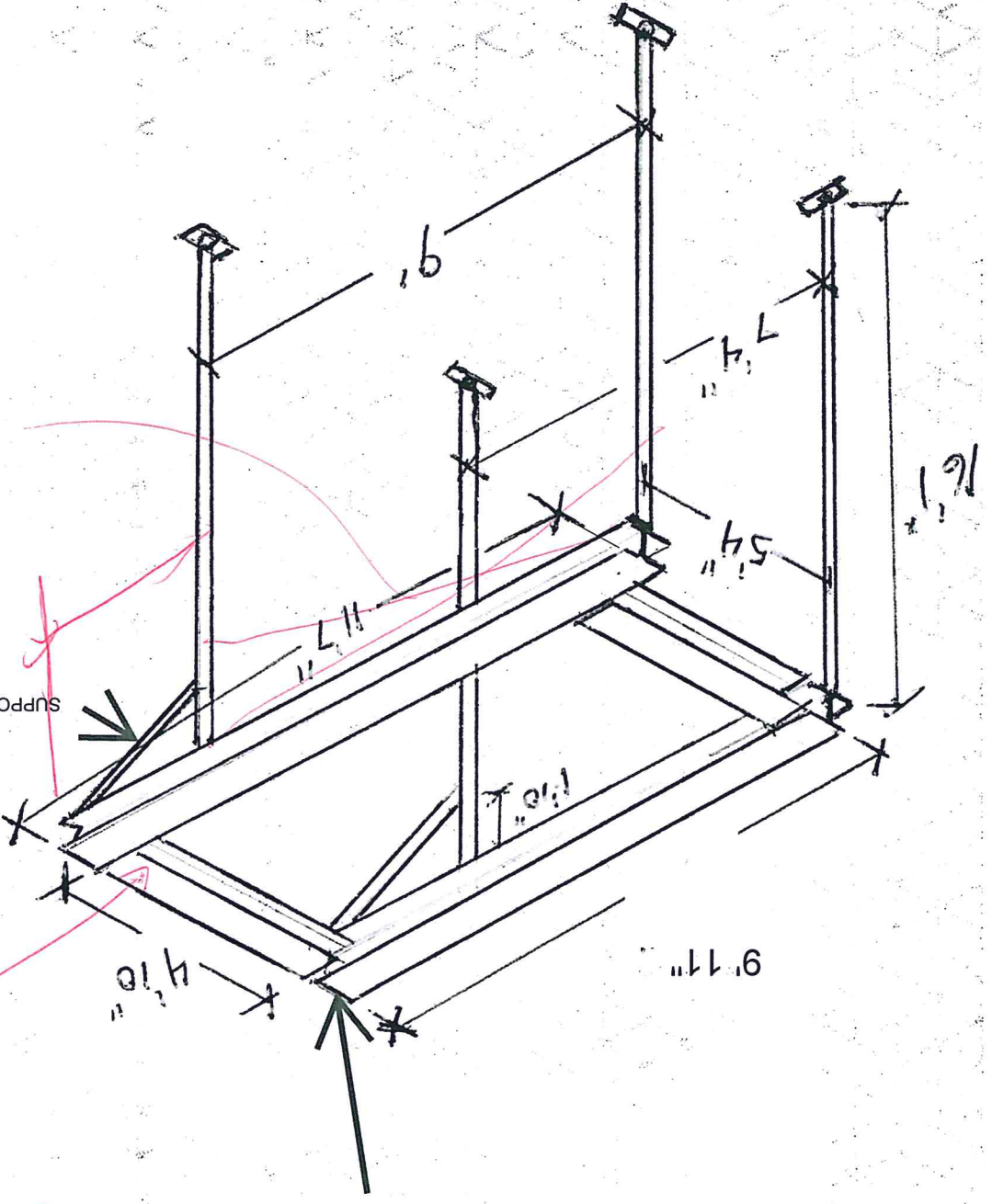
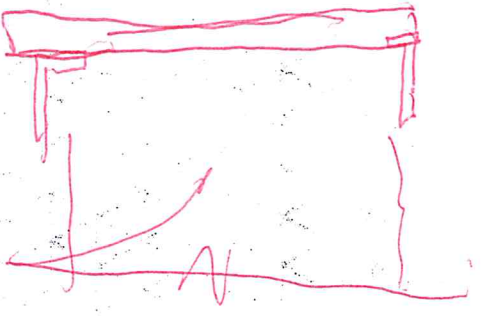
WHAT TYPE CONNECTION

BOYET RTU 2 : STRUCTURAL DIMENSIONS

I-BEAM: W10X22
 SUPPORT ANGLES: 2x2x1/4"
 ANGLES ON TOP OF I-BEAM TO
 BE 3x3x1/4" WITH A DIMENSION OF
 9.8"x5.4"

Show 3x3x1/4" beams
 on top of

Show cross bracing
 Dimension



3x3 ANGLE ON TOP OF I-BEAMS
 COMPLETELY SURROUNDING RTU