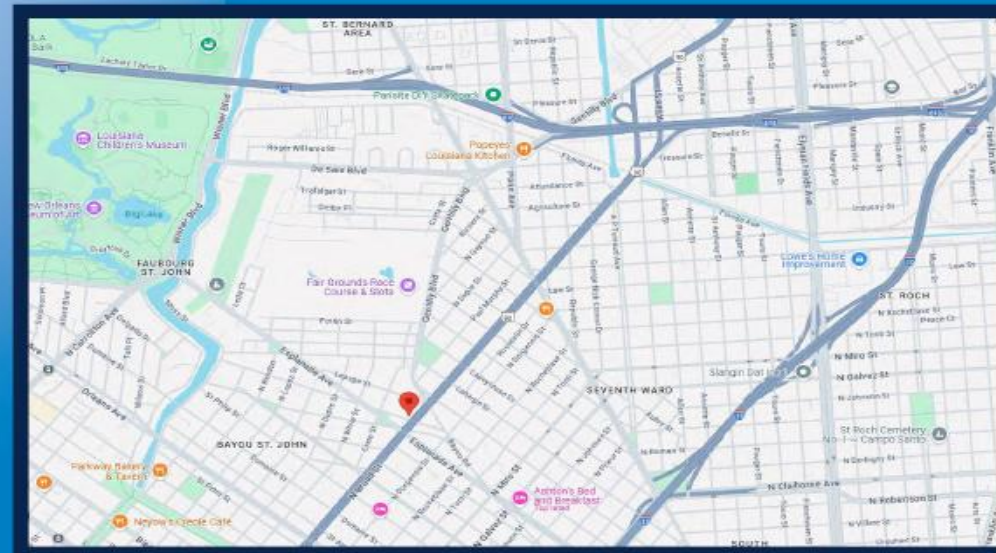


CHASE



#48200R017546

Broad Desoto - Exterior Refresh
1425 N Broad St
New Orleans, LA 70119



REVISION NOTES:

- R1: B01 moved to face Desoto Street - AS - 03/05/25
- R2: B04-B08 removed from scope of work and added two sets of Sig canopies, Headache bar to soape. - AS - 03/13/25
- R3: East elevation updated and edited to match allowed monument. - AS - 03/19/25
- R5: Detail Drawing - UPD A/E - AS - 04/08/25
- R7: Detail Drawing - Added A01 tag to elevation and updated existing conditions photos. - AS - 04/16/25
- R8: Detail Drawing - G01 and B01 locations updated. - AS - 05/01/25



4444 Federal Blvd. San Diego CA 92102
Phone: (619) 527-6100 / Fax: (619) 527-6111
signtech.com



JP Morgan Chase Bank
#48200R017546

Broad Desoto - Exterior Refresh
1425 N Broad St
New Orleans, LA 70119

Initial Date: 02/24/25
Salesperson: Arthur Navarro
Coordinator: Lorena P Leon
Designer: ASena
Scale: As noted

CUSTOMER APPROVAL

Customer Signature _____ Date _____
COPY, COLORS & SIZES

Signtech does NOT provide primary
electrical to sign location -
RESPONSIBILITY OF OTHERS!

Customer Signature _____ Date _____

This design is the exclusive property of Signtech
and cannot be reproduced in whole or in part,
without their prior written approval.

Drawing Number: 25-00444

Project ID: CHASE_48200R017546_1

Revision: R9: AS - 05/01/25

SITE PLAN
SCALE: 1"=40'-0"



EXTERIOR SCOPE OF WORK				
SIGN ID	ELEVATION	SIGN TYPE	DESCRIPTION	SQFT
G01	--	M-12-RE*	Double-Faced Illuminated Pylon	12
B01	WEST	LNIC-WBO-12	12" White Channel Letters and Logo - Non-Illuminated	9.1
B02	SOUTH	LIF-R-WBO-24	24" White Channel Letters and Logo w/ Raceway	36.9
B03	EAST	LIF-WBO-24	24" White Channel Letters and Logo	36.9
B04	--	NONE	REMOVED FROM SCOPE OF WORK	--
B05	--	NONE	REMOVED FROM SCOPE OF WORK	--
B06	--	NONE	REMOVED FROM SCOPE OF WORK	--
B07	--	NONE	REMOVED FROM SCOPE OF WORK	--
B08	--	NONE	REMOVED FROM SCOPE OF WORK	--
A01	--	SUR-TTW-U-4-TP	Universal Thin-Profile ATM Surround	--
A02	--	HB-U-R-IMP	Headache Bar w. Hanging Impact Bar - Right	--
A03	--	CHA-CAN-ATM-SIG-2-NP	ATM Signature Canopy - No Pedestal	--
A04	--	HB-U-R-IMP	Headache Bar w. Hanging Impact Bar - Right	--
A05	--	CHA-CAN-ATM-SIG-2-NP	ATM Signature Canopy - No Pedestal	--
T01	--	CHA-TEMP-BAN-36X126-VYL-DP	Temporary Banner with Chase Logo	31.5

SQUARE FOOTAGE	
PROPOSED SQFT:	94.9



MONUMENT & PYLON GROUND SIGNS
***FINAL LOCATION TO BE CONFIRMED**
VIA CIVIL ENGINEERING REPORT &
VERIFIED BY FIELD SURVEY*



Signtech™

4444 Federal Blvd. San Diego CA 92102
 Phone: (619) 527-6100 / Fax: (619) 527-6111
 signtech.com



JP Morgan Chase Bank
#48200R017546

Broad Desoto - Exterior Refresh
 1425 N Broad St
 New Orleans, LA 70119

Initial Date: 02/24/25
 Salesperson: Arthur Navarro
 Coordinator: Lorena P Leon
 Designer: ASena
 Scale: As noted

CUSTOMER APPROVAL

Customer Signature _____ Date _____
COPY, COLORS & SIZES

Signtech does NOT provide primary
 electrical to sign location -
RESPONSIBILITY OF OTHERS!

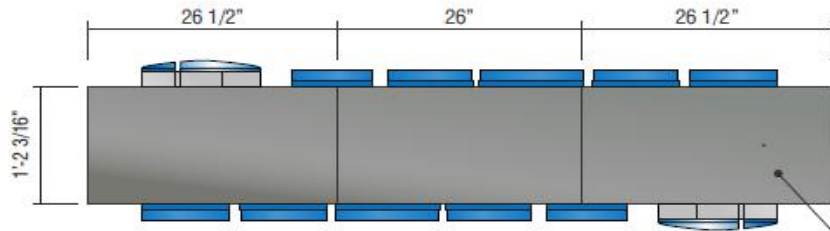
Customer Signature _____ Date _____
 This design is the exclusive property of Signtech
 and cannot be reproduced in whole or in part,
 without their prior written approval.

Drawing Number: 25-00444

Project ID: CHASE_48200R017546_1

Revision: R9: AS - 05/01/25

Sign Legend / Site Plan



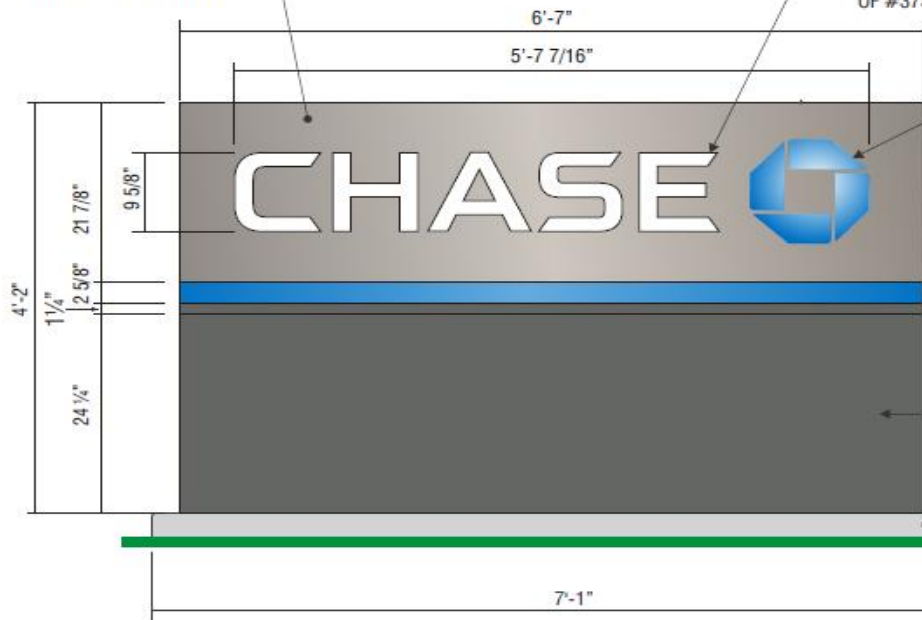
TOP VIEW SCALE: 3/4" = 1'-0"

.125" ALUM. TOP REMOVABLE ACCESS PANELS PAINT TO MATCH MATTHEWS #MP-19891 CHASE NICKEL GLOSS FINISH

ALL EXPOSED PAINTED SURFACES SHALL BE COATED WITH MATTHEWS #282-208SP VOC GLOSS CLEAR, WITH MINIMUM 2 MILS DAY FILM THICKNESS (DFT) PER MATTHEWS APPLICATION SPECIFICATIONS.

ALL EXPOSED FASTENER HEADS SHALL BE PAINTED TO MATCH THE EXTERIOR CABINET FINISH

.125" ALUM. TOP PANEL PAINT TO MATCH MATTHEWS #MP-19891 CHASE NICKEL GLOSS FINISH



FRONT VIEW SCALE: 3/4" = 1'-0"

LED ILLUMINATED CHASE LETTERSET w/ .125" #7328 WHITE ACRYLIC FACES & .125" #6046 BLUE ACRYLIC RETURNS. RETURNS TO RECEIVE 2ND SURFACE LAYER OF #3735-60 DIFFUSER FILM

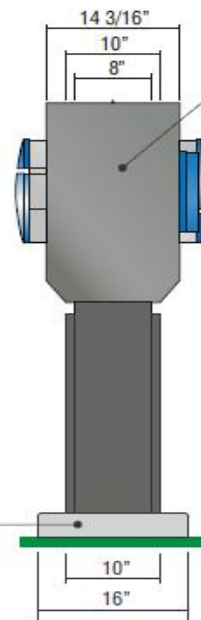
LED ILLUMINATED OCTAGON w/ .125" #6046 BLUE ACRYLIC FACES & ALUM. RETURNS

.125" #6046 BLUE ACRYLIC ILLUMINATED ACCENT STRIP ON BOTH FACES

1 3/4" ALUM. REVEAL PAINT TO MATCH MATTHEWS #MP-18248 DARK NICKEL GLOSS FINISH

.125" ALUM. BASE COVER PAINT TO MATCH MATTHEWS #MP-18248 DARK NICKEL GLOSS FINISH

FORMED CONCRETE MOW STRIP 3" HIGH w/ BULL-NOSED TOP EDGE



END VIEW

.125" ALUM. SIDE PANEL PAINT TO MATCH MATTHEWS #MP-19891 CHASE NICKEL GLOSS FINISH



EXISTING CONDITION - NOT TO SCALE - REMOVE AND REPLACE W/ NEW M-12-RE



Signtech™

4444 Federal Blvd. San Diego CA 92102
Phone: (619) 527-6100 / Fax: (619) 527-6111
signtech.com



JP Morgan Chase Bank #48200R017546

Broad Desoto - Exterior Refresh
1425 N Broad St
New Orleans, LA 70119

Initial Date: 02/24/25
Salesperson: Arthur Navarro
Coordinator: Lorena P Leon
Designer: ASena
Scale: As noted

CUSTOMER APPROVAL

Customer Signature: _____ Date: _____
COPY, COLORS & SIZES

Signtech does NOT provide primary electrical to sign location - **RESPONSIBILITY OF OTHERS!**

Customer Signature: _____ Date: _____
This design is the exclusive property of Signtech and cannot be reproduced in whole or in part, without their prior written approval.

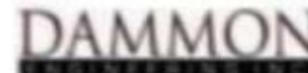
Drawing Number: 25-00444

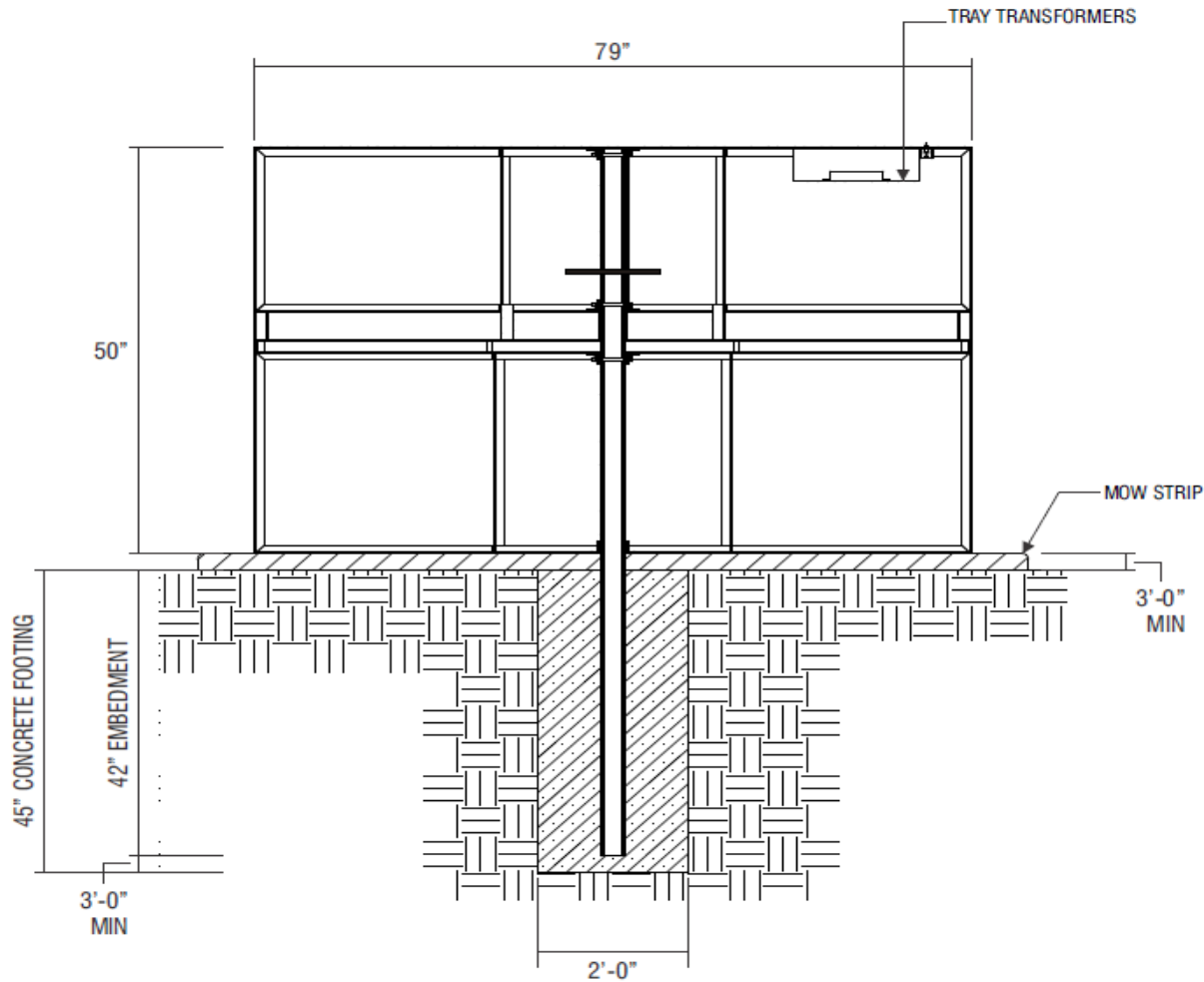
Project ID: CHASE_48200R017546_1

Revision: R9: AS - 05/01/25

G01 SIGN TYPE M-12-RE

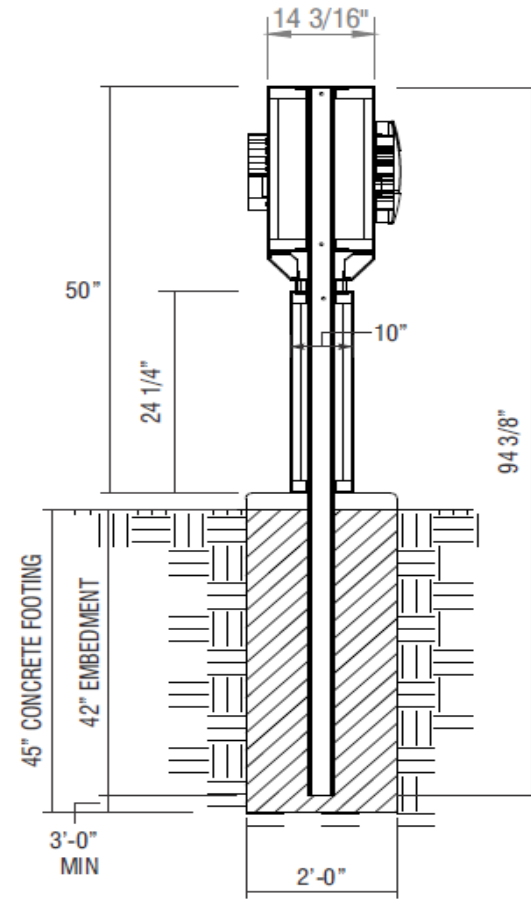
MANUFACTURE AND INSTALL ONE (1) INTERNALLY ILLUMINATED D/F MONUMENT SIGN





C-C INSTALLATION LONGITUDINAL SECTION

Scale: NTS



D-D VERTICAL SECTION

Scale: NTS



Signtech™

4444 Federal Blvd. San Diego CA 92102
 Phone: (619) 527-6100 / Fax: (619) 527-6111
 signtech.com



JP Morgan Chase Bank
 #48200R017546

Broad Desoto - Exterior Refresh
 1425 N Broad St
 New Orleans, LA 70119

Initial Date: 02/24/25
 Salesperson: Arthur Navarro
 Coordinator: Lorena P Leon
 Designer: ASena
 Scale: As noted

CUSTOMER APPROVAL

Customer Signature _____ Date _____
COPY, COLORS & SIZES

Signtech does NOT provide primary
 electrical to sign location -
RESPONSIBILITY OF OTHERS!

Customer Signature _____ Date _____

This design is the exclusive property of Signtech
 and cannot be reproduced in whole or in part,
 without their prior written approval.

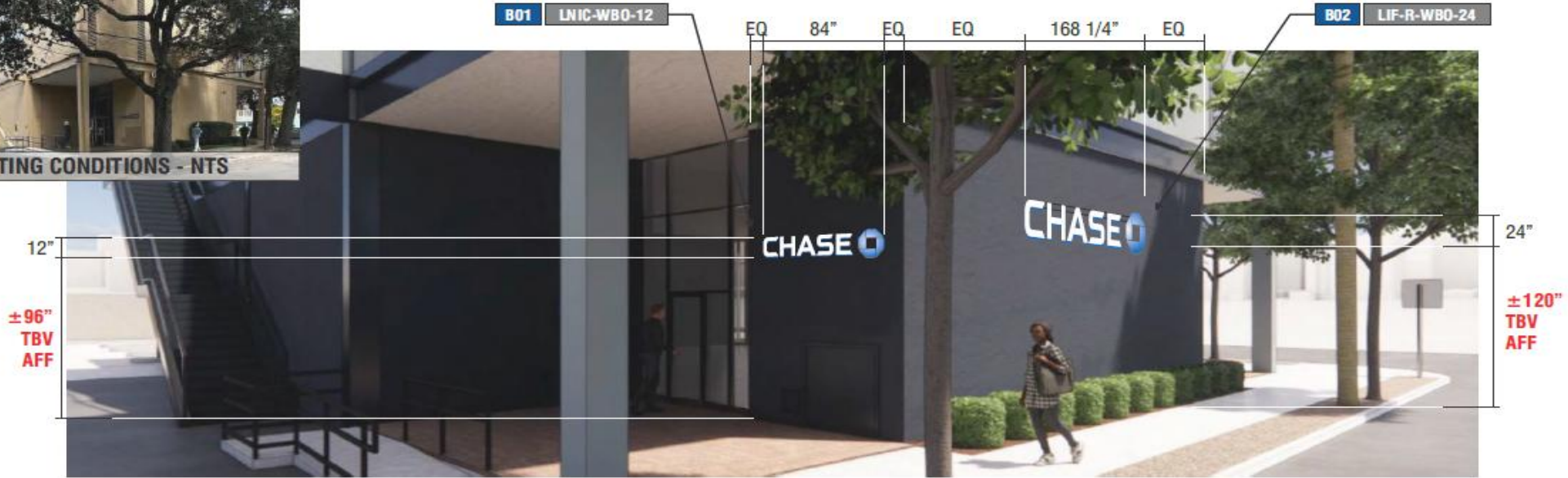
Drawing Number: 25-00444

Project ID: CHASE_48200R017546_1

Revision: R9: AS - 05/01/25



SIGNAGE OVERVIEW - ALLOWED



SOUTHWEST ELEVATION - APPROX. SCALE: 3/16" = 1'-0"



EAST ELEVATION - APPROX. SCALE: 3/32" = 1'-0"



Signtech™

4444 Federal Blvd. San Diego CA 92102
Phone: (619) 527-6100 / Fax: (619) 527-6111
signtech.com



JP Morgan Chase Bank
#48200R017546

Broad Desoto - Exterior Refresh
1425 N Broad St
New Orleans, LA 70119

Initial Date: 02/24/25
Salesperson: Arthur Navarro
Coordinator: Lorena P Leon
Designer: ASena
Scale: As noted

CUSTOMER APPROVAL

Customer Signature _____ Date _____
COPY, COLORS & SIZES

Signtech does NOT provide primary electrical to sign location -
RESPONSIBILITY OF OTHERS!

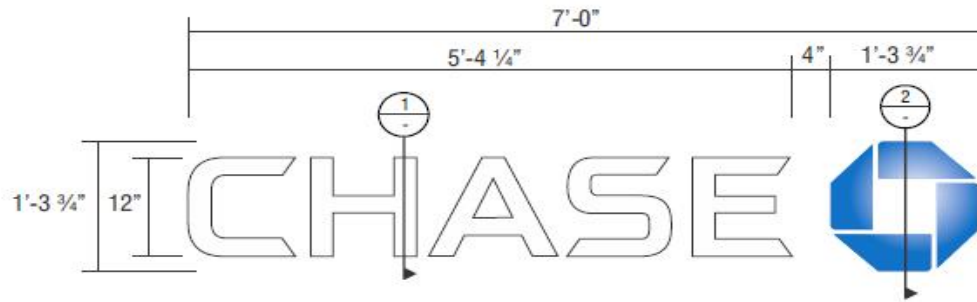
Customer Signature _____ Date _____
This design is the exclusive property of Signtech and cannot be reproduced in whole or in part, without their prior written approval.

Drawing Number: 25-00444

Project ID: CHASE_48200R017546_1

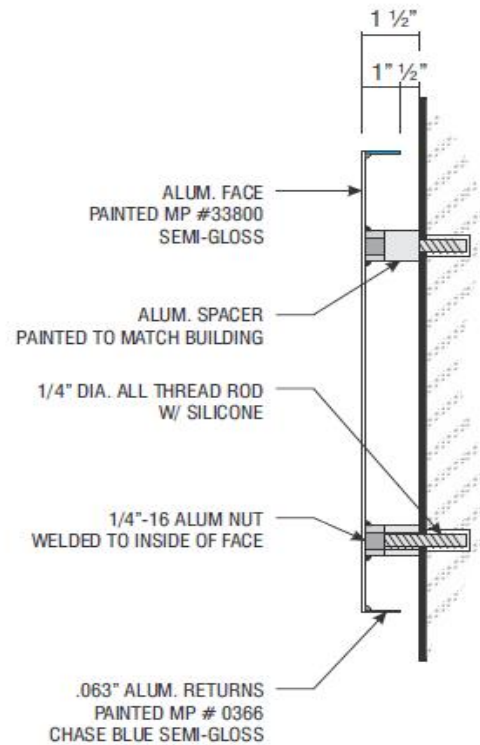
Revision: R9: AS - 05/01/25

Exterior Elevations

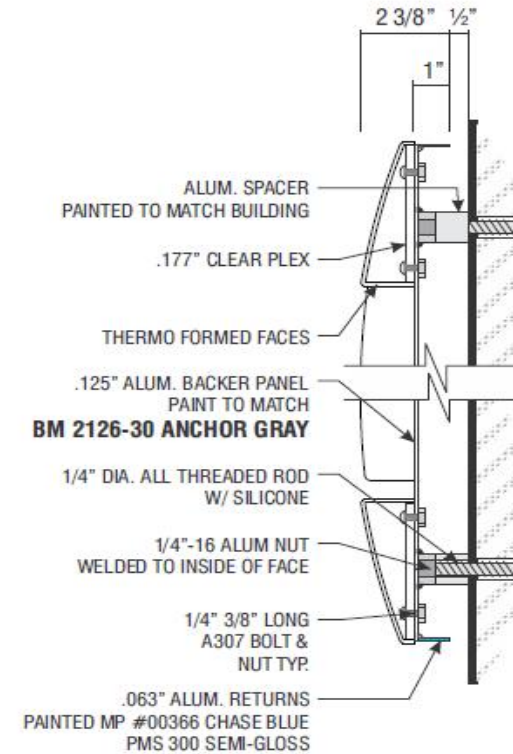


FRONT VIEW

SCALE : 3/4" = 1'-0"



1 LETTER SECTION DETAIL
SCALE 3" = 1'-0"



2 OCTAGON SECTION DETAIL
SCALE 3' = 1'-0"

B01

SIGN TYPE LNIC-WBO-12

MANUFACTURE AND INSTALL ONE (1) NON-ILLUMINATED SET OF CHANNEL LETTERS



Signtech™

4444 Federal Blvd. San Diego CA 92102
Phone: (619) 527-6100 / Fax: (619) 527-6111
signtech.com



**JP Morgan Chase Bank
#48200R017546**

Broad Desoto - Exterior Refresh
1425 N Broad St
New Orleans, LA 70119

Initial Date: 02/24/25
Salesperson: Arthur Navarro
Coordinator: Lorena P Leon
Designer: ASena
Scale: As noted

CUSTOMER APPROVAL

Customer Signature _____ Date _____
COPY, COLORS & SIZES

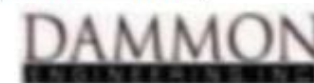
Signtech does NOT provide primary
electrical to sign location -
RESPONSIBILITY OF OTHERS!

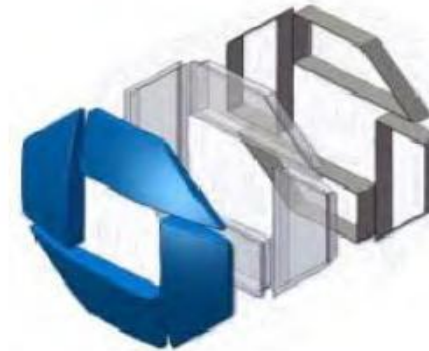
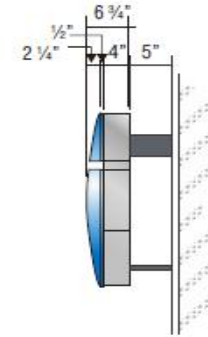
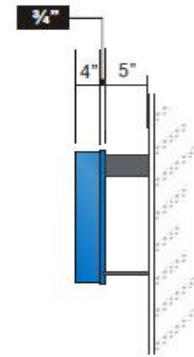
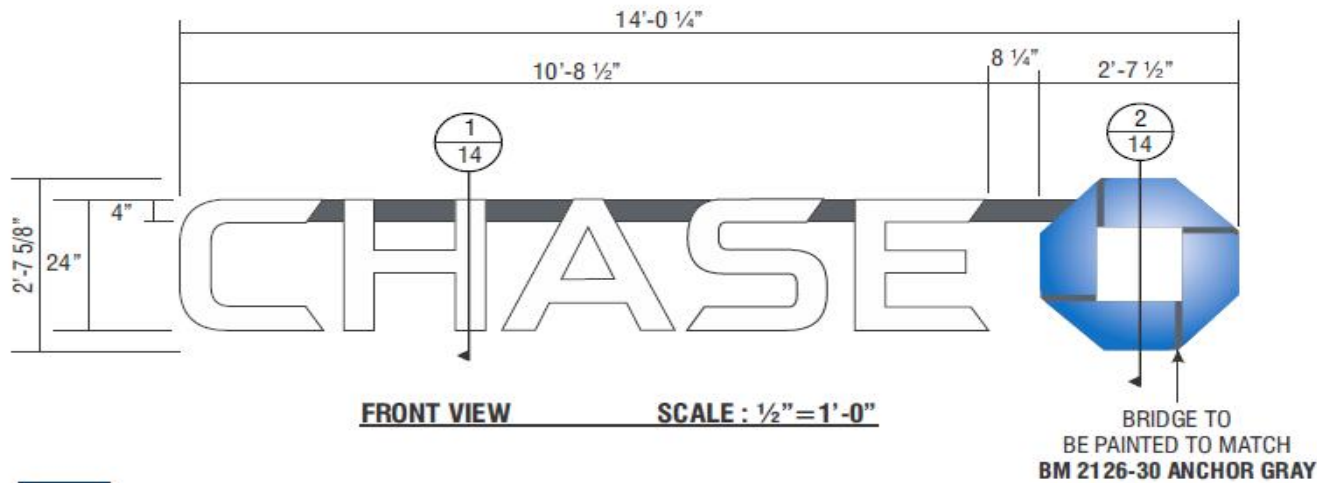
Customer Signature _____ Date _____
This design is the exclusive property of Signtech
and cannot be reproduced in whole or in part,
without their prior written approval.

Drawing Number: 25-00444

Project ID: CHASE_48200R017546_1

Revision: R9: AS - 05/01/25





B02

SIGN TYPE LIF-R-WB0-24

MANUFACTURE AND INSTALL ONE (1) SET OF ILLUMINATED LETTERS & LOGO w/ PLEX FACES & RETURNS ON RACEWAY

LETTERS:

FACE: .177" ARISTECH #7328 P-95 WHITE PLEX (MATTE SIDE TO BE 1ST SURFACE) CHEM WELDED TO RETURNS
RETURNS: 0.118" x 4" DEEP ARISTECH #6046 BLUE WITH 3635-70 DIFFUSER VINYL ON 2ND (INTERIOR) SURFACE.
BACKS: .080" ALUM BACK WITH 3/4" x .080" OUTSIDE ALUM RETURN AND 1/2" x 1/8" ALUM ANGLE CLIPS ON INTERIOR OF LETTER FOR FACE ATTACHMENT
PAINT: EXTERIOR PAINTED MATTHEWS MP-00366 CHASE BLUE SEMI-GLOSS FINISH (60-70 UNITS) AND INTERIOR PAINTED SPRAY-LAT STAR BRITE WHITE LIGHT ENHANCEMENT PAINT.
ILLUMINATION: SLOAN PRISM 7100K #701269-7WSJ1-MB WHITE LEDs AND SLOAN POWER SUPPLY REQUIRED FOR PROPER EVEN ILLUMINATION.

LOGO:

BACKS: .080" ALUM BACK WITH STACK WELDED 4" x .080" ALUM RETURNS.
LOGO CAN FACE: .080" ALUM BRIDGE ELEMENTS WELDED TO INSIDE & OUTSIDE RETURNS
PLEX FACE: .118" THERMO FORMED ARISTECH #6046 BLUE LOGO ELEMENTS CHEM WELDED TO 3/4" CLEAR PLEX 2ND SURFACE FACES.
PAINT: EXTERIOR PAINT MATTHEWS "CHASE NICKEL" #MP-19891 GLOSS FINISH AND INTERIOR PAINTED SPRAY-LAT STAR BRITE WHITE LIGHT ENHANCEMENT PAINT.
ILLUMINATION: SLOAN PRISM #701269-BLSJ1-MB BLUE LEDs AND SLOAN POWER SUPPLY AS REQUIRED FOR PROPER EVEN ILLUMINATION

RACEWAY: .063" BRAKE FORMED ALUM RACEWAY, SIGNTECH LIBRARY #1014A

RW FINISH: PAINT TO MATCH THE BUILDING - **BM 2126-30 ANCHOR GRAY**

INSTALL LOWER PORTION OF LETTERS TO HAVE #10, TEK SCREWS AND SPACERS ATTACH TO WALL

SPACERS FINISH: SPACERS PAINTED TO MATCH THE BUILDING - **BM 2126-30 ANCHOR GRAY**

ELECTRICAL REQUIREMENTS FOR LED ILLUMINATION
 As required by standard #2161, Signtech Electrical Advertising, Inc., exclusively uses secondary Ground fault-Interrupted (GFI) transformers.
 Each Sign MUST have:
 - A dedicated branch circuit
 - Three wires: Line, Ground, and Neutral.
 - Wire Size: Min 12 GA THHN Copper Wire.
 NOTE: The gauge of the wire is dictated by the length of the run & amperage as per NEC Article 600.
 - The ground wire must be continuous & go from the sign to the panelboard ground bus.



Signtech™

4444 Federal Blvd. San Diego CA 92102
 Phone: (619) 527-6100 / Fax: (619) 527-6111
 signtech.com



JP Morgan Chase Bank
#48200R017546

Broad Desoto - Exterior Refresh
 1425 N Broad St
 New Orleans, LA 70119

Initial Date: 02/24/25
 Salesperson: Arthur Navarro
 Coordinator: Lorena P Leon
 Designer: ASana
 Scale: As noted

CUSTOMER APPROVAL

Customer Signature: _____ Date: _____
COPY, COLORS & SIZES

Signtech does NOT provide primary electrical to sign location - **RESPONSIBILITY OF OTHERS!**

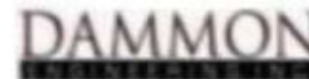
Customer Signature: _____ Date: _____

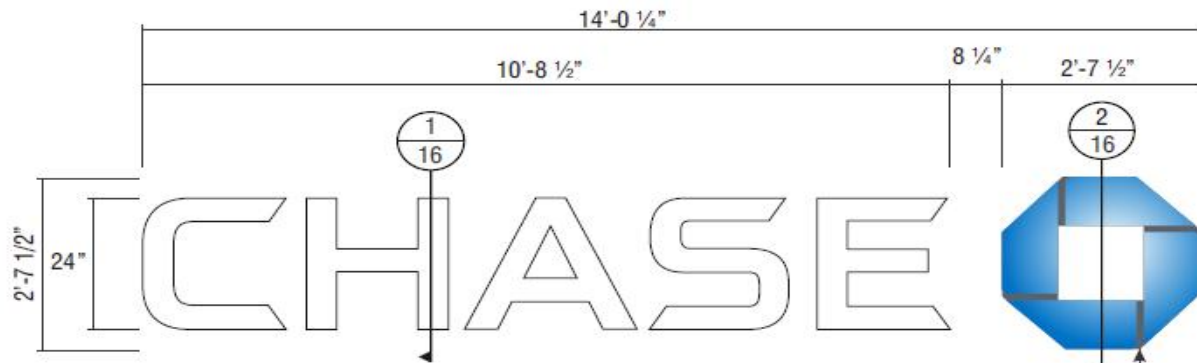
This design is the exclusive property of Signtech and cannot be reproduced in whole or in part, without their prior written approval.

Drawing Number: 25-00444

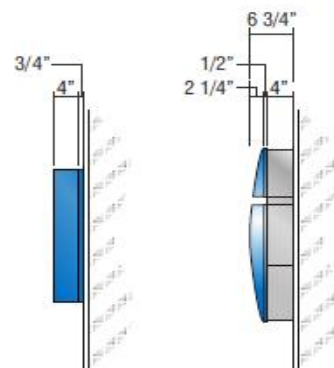
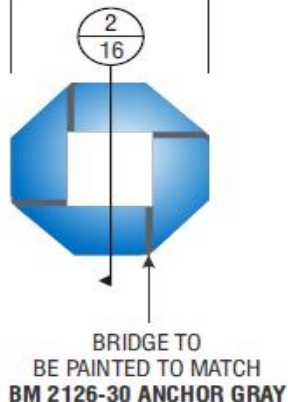
Project ID: CHASE_48200R017546_1

Revision: R9: AS - 05/01/25

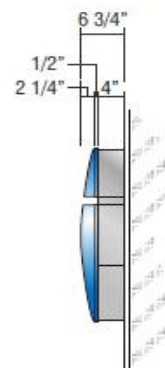




FRONT VIEW SCALE : 1/2" = 1'-0"



END VIEW OF LETTER
1/2" = 1'-0"



END VIEW OF LOGO
1/2" = 1'-0"

B03

SIGN TYPE LIF-WB0-24

MANUFACTURE AND INSTALL ONE (1) SET OF ILLUMINATED LETTERS & LOGO w/PLEX FACES & RETURNS

LETTERS:

- FACE:** .177" ARISTECH #7328 P-95 WHITE PLEX (MATTE SIDE TO BE 1ST SURFACE) CHEM WELDED TO RETURNS
- RETURNS:** 0.118" x 4" DEEP ARISTECH #6046 BLUE WITH 3635-70 DIFFUSER VINYL ON 2ND (INTERIOR) SURFACE
- BACKS:** .080" ALUM BACK WITH 3/4" x .080" OUTSIDE ALUM RETURN AND 1/2" x 1/8" ALUM ANGLE CLIPS ON INTERIOR OF LETTER FOR FACE ATTACHMENT
- PAINT:** EXTERIOR PAINTED MATTHEWS MP-00366 CHASE BLUE SEMI-GLOSS FINISH (60-70 UNITS) AND INTERIOR PAINTED SPRAY-LAT STAR BRITE WHITE LIGHT ENHANCEMENT PAINT.
- ILLUMINATION:** SLOAN PRISM 7100K #701269-7WSJ1-MB WHITE LEDs AND SLOAN POWER SUPPLY REQUIRED FOR PROPER EVEN ILLUMINATION.

LOGO:

- BACKS:** .080" ALUM BACK WITH STACK WELDED 4" x .080" ALUM RETURNS.
- LOGO CAN FACE:** .080" ALUM BRIDGE ELEMENTS WELDED TO INSIDE & OUTSIDE RETURNS
- PLEX FACE:** .118" THERMO FORMED ARISTECH #6046 BLUE LOGO ELEMENTS CHEM WELDED TO 3/4" CLEAR PLEX 2ND SURFACE FACES.
- PAINT:** EXTERIOR PAINT MATTHEWS "CHASE NICKEL" #MP-19891 GLOSS FINISH AND INTERIOR PAINTED SPRAY-LAT STAR BRITE WHITE LIGHT ENHANCEMENT PAINT.
- ILLUMINATION:** SLOAN PRISM #701269-BLSJ1-MB BLUE LEDs AND SLOAN POWER SUPPLY AS REQUIRED FOR PROPER EVEN ILLUMINATION

ELECTRICAL REQUIREMENTS FOR LED ILLUMINATION
As required by standard #2161, Signtech Electrical Advertising, Inc., exclusively uses secondary Ground fault-Interrupted (GF) transformers.
Each Sign MUST have: - A dedicated branch circuit
- Three wires : Line, Ground, and Neutral.
- Wire Size : Min 12 GA THHN Copper Wire.
NOTE: The gauge of the wire is dictated by the length of the run & amperage as per NEC Article 600.
- The ground wire must be continuous & go from the sign to the panelboard ground bus.



3D VIEW OF OCTAGON

ALL EXPOSED FASTENER HEADS SHALL BE PAINTED TO MATCH THE EXTERIOR SURFACE FINISH



Signtech™

4444 Federal Blvd. San Diego CA 92102
Phone: (619) 527-6100 / Fax: (619) 527-6111
signtech.com



JP Morgan Chase Bank
#48200R017546

Broad Desoto - Exterior Refresh
1425 N Broad St
New Orleans, LA 70119

Initial Date: 02/24/25
Salesperson: Arthur Navarro
Coordinator: Lorena P Leon
Designer: ASena
Scale: As noted

CUSTOMER APPROVAL

Customer Signature: _____ Date: _____
COPY, COLORS & SIZES

Signtech does NOT provide primary electrical to sign location -
RESPONSIBILITY OF OTHERS!

Customer Signature: _____ Date: _____

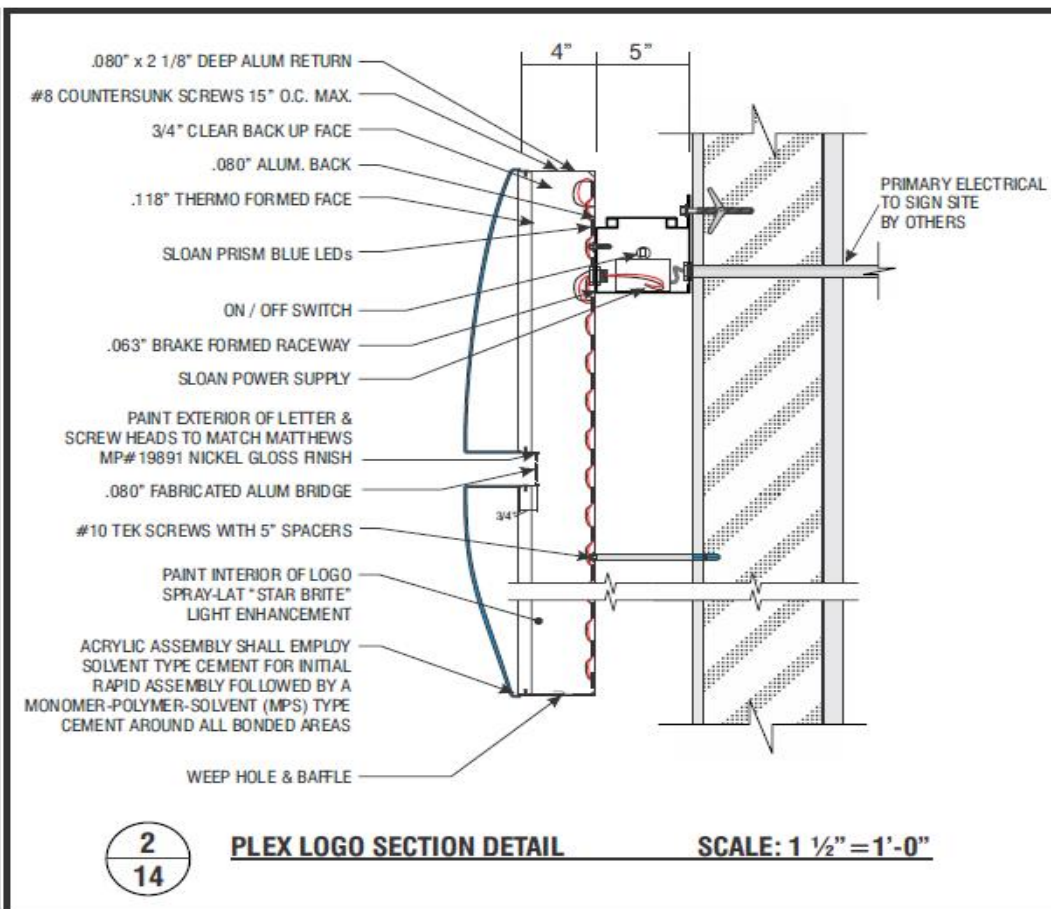
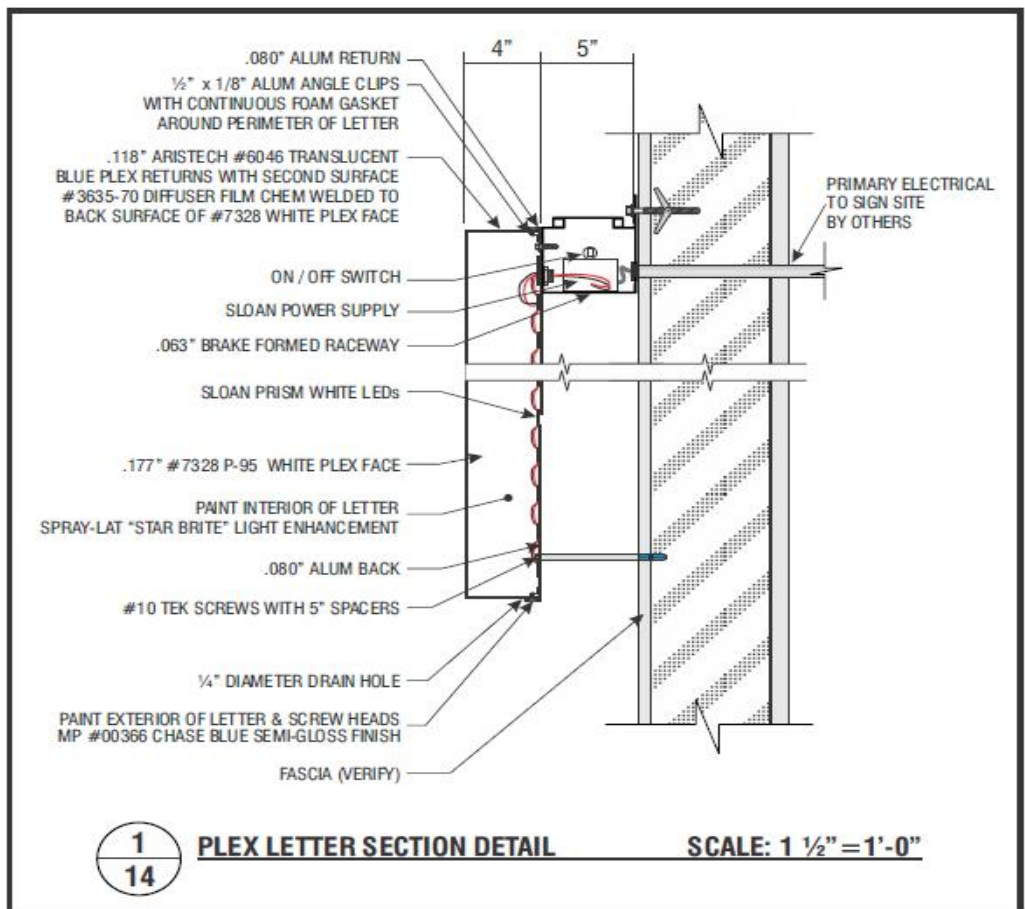
This design is the exclusive property of Signtech and cannot be reproduced in whole or in part, without their prior written approval.

Drawing Number: 25-00444

Project ID: CHASE_48200R017546_1

Revision: R9: AS - 05/01/25

**ATTACHMENT METHOD TO BE VERIFIED BY INSTALLER
AT THE FIELD DEPENDING ON WALL TYPE AND ACCESS.**



Signtech™

4444 Federal Blvd. San Diego CA 92102
Phone: (619) 527-6100 / Fax: (619) 527-6111
signtech.com



JP Morgan Chase Bank
#48200R017546

Broad Desoto - Exterior Refresh
1425 N Broad St
New Orleans, LA 70119

Initial Date: 02/24/25
Salesperson: Arthur Navarro
Coordinator: Lorena P Leon
Designer: ASena
Scale: As noted

CUSTOMER APPROVAL

Customer Signature _____ Date _____
COPY, COLORS & SIZES

Signtech does NOT provide primary electrical to sign location - **RESPONSIBILITY OF OTHERS!**

Customer Signature _____ Date _____

This design is the exclusive property of Signtech and cannot be reproduced in whole or in part, without their prior written approval.

Drawing Number: 25-00444

Project ID: CHASE_48200R017546_1

Revision: R9: AS - 05/01/25

