

Stratus®

stratusunlimited.com
888.503.1569

LOCATION NUMBER:

1037

SITE ADDRESS:

5530 Magazine St.
New Orleans, LA 70115



[View in Google Maps](#)



FRAMEBRIDGE

Infinite possibilities, ideal solutions.

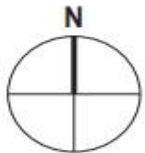
SITE PLAN

Scale: NOT TO SCALE



E03

E01 E02



Stratus[®]

stratusunlimited.com

8959 Tyler Boulevard
Mentor, Ohio 44060
888.503.1569

CLIENT: FRAMEBRIDGE	
ADDRESS: 5530 Magazine St. New Orleans, LA 70115	PAGE NO.: 2

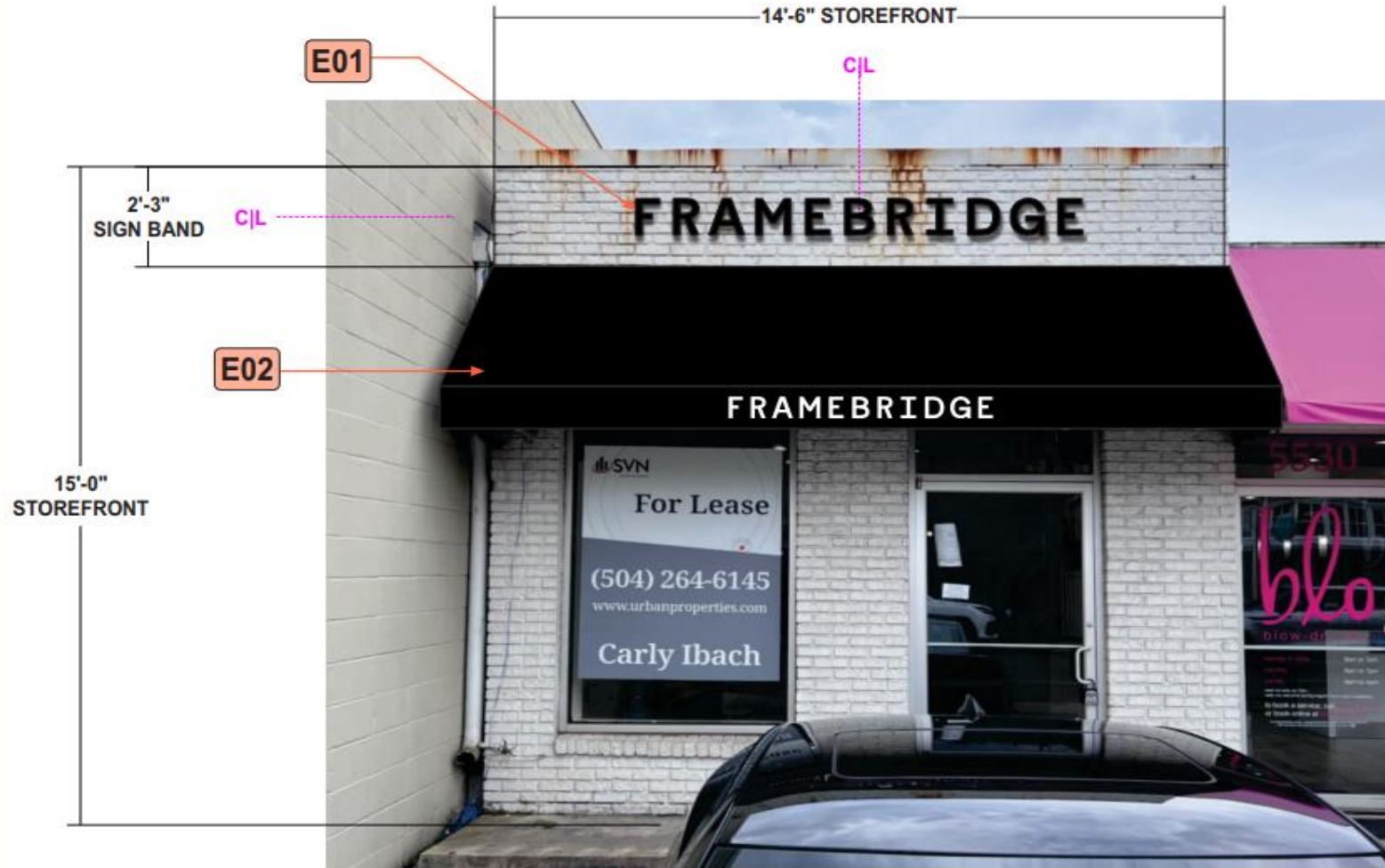
ORDER NUMBER: 1219804	PROJECT NUMBER: 87781
SITE NUMBER: 1037	PROJECT MANAGER: ROB WONG
ELECTRONIC FILE NAME: G:\ACCOUNTS\IF\FRAMEBRIDGE\LOCATIONS\LA\1037_New Orleans_R3.cdr	

Rev #	Req #	Date/Artist	Description	Rev #	Req #	Date/Artist	Description
Original	482208	06/25/24 JT					
Rev 1	482961	06/28/24 BS					
Rev 2	483455	07/02/24 SM					
Rev 3	487499	07/31/24 MC					

PRINTS ARE THE EXCLUSIVE PROPERTY OF STRATUS. THIS MATERIAL SHALL NOT BE USED, DUPLICATED, OR OTHERWISE REPRODUCED WITHOUT THE PRIOR WRITTEN CONSENT OF STRATUS.

NORTH (Storefront) ELEVATION

Scale: 3/8"=1'-0"



EXISTING CONDITIONS



EXISTING AWNING FABRIC TO BE REMOVED & REPLACED;
EXISTING AWNING FRAME TO BE REUSED



Stratus

stratusunlimited.com
8959 Tyler Boulevard
Mentor, Ohio 44060
888.503.1569

CLIENT:
FRAMEBRIDGE

ADDRESS:
5530 Magazine St.
New Orleans, LA 70115

PAGE NO.:
3

ORDER NUMBER:
1219804

SITE NUMBER:
1037

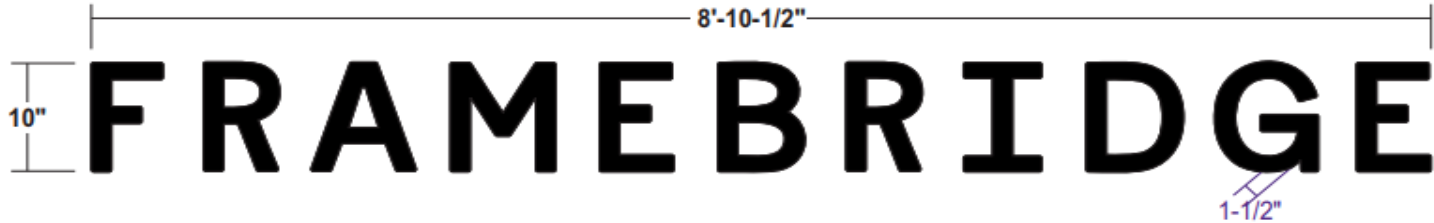
ELECTRONIC FILE NAME:
G:\ACCOUNTS\F\FRAMEBRIDGE\LOCATIONS\LA\1037_New Orleans_R3.cdr

PROJECT NUMBER:
87781

PROJECT MANAGER:
ROB WONG

Rev #	Req #	Date/Artist	Description	Rev #	Req #	Date/Artist	Description
Original	482208	06/25/24 JT					
Rev 1	482961	06/28/24 BS					
Rev 2	483455	07/02/24 SM					
Rev 3	487499	07/31/24 MC	Update based on completed survey				

PRINTS ARE THE EXCLUSIVE PROPERTY OF STRATUS. THIS MATERIAL SHALL NOT BE USED, DUPLICATED, OR OTHERWISE REPRODUCED WITHOUT THE PRIOR WRITTEN CONSENT OF STRATUS.



ELECTRICAL ACCESS TO BE CONFIRMED TO ENSURE REMOTE POWER SUPPLIES ARE POSSIBLE!

Electrical Notes: All electrical components to be UL approved Customer is responsible for one (1) 120v/20a dedicated circuit with ground per sign within 6' of sign Lock out switch installed at panel box for all electrical signs Install in accordance with N.E.C. article 600 and/or local codes. This includes proper grounding and bonding of signs

- FACES:** 3/16" #2447 white acrylic w/ surface applied Black dual color film;
Will illuminated White at night
- TRIMCAP:** 1" Black Jewelite trimcap
- RETURNS:** 5" Deep .040 alum. - insides pre-finished White; Outsides pre-finished Black
- BACKS:** .063 alum. - insides pre-finished White
- ILLUM.:** White LED's as required by manufacturer; Remote Power Supplies
- WALL MAT.:** Brick
- INSTALL:** Thru bolted using all thread into blocking as required;
12" standard length of threaded rod will be supplied unless otherwise noted;
3/8" threaded rod into blocking or Stratus approved equivalent
- QUANTITY:** (1) ONE LETTERSET required for NORTH elevation



TRIMCAPPED:
Black perf. face,
Black trimcap & returns

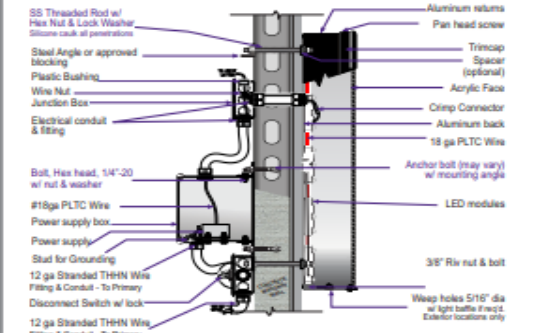
COLOR PALETTE

- Black
3M 3635-222
Black Dual Color
- Black

SIMULATED NIGHT VIEW



FACE LIT LED | REMOTE, FLUSH | GENERIC INSTALL



***MOUNTING METHOD:**
(Use appropriate method following wall inspection)

THIS SIGN IS INTENDED TO BE INSTALLED IN ACCORDANCE WITH THE REQUIREMENTS OF ARTICLE 600 OF THE NATIONAL ELECTRICAL CODE AND/OR OTHER APPLICABLE LOCAL CODES. THIS INCLUDES PROPER GROUNDING AND BONDING OF THE SIGN.

THE LOCATION OF THE DISCONNECT SWITCH AFTER INSTALLATION SHALL COMPLY WITH ARTICLE 600.8(A)(1) OF THE NATIONAL ELECTRIC CODE.



stratusunlimited.com
8959 Tyler Boulevard
Mentor, Ohio 44060
888.503.1569

CLIENT:
FRAMEBRIDGE

ADDRESS:
5530 Magazine St.
New Orleans, LA 70115

PAGE NO.:
4

ORDER NUMBER:
1219804

SITE NUMBER:
1037

ELECTRONIC FILE NAME:
G:\ACCOUNTS\F\FRAMEBRIDGE\LOCATIONS\LA\1037_New Orleans_R3.cdr

PROJECT NUMBER:
87781

PROJECT MANAGER:
ROB WONG

Rev #	Req #	Date/Artist	Description	Rev #	Req #	Date/Artist	Description
Original	482208	06/25/24 JT					
Rev 1	482961	06/28/24 BS					
Rev 2	483455	07/02/24 SM					
Rev 3	487499	07/31/24 MC					

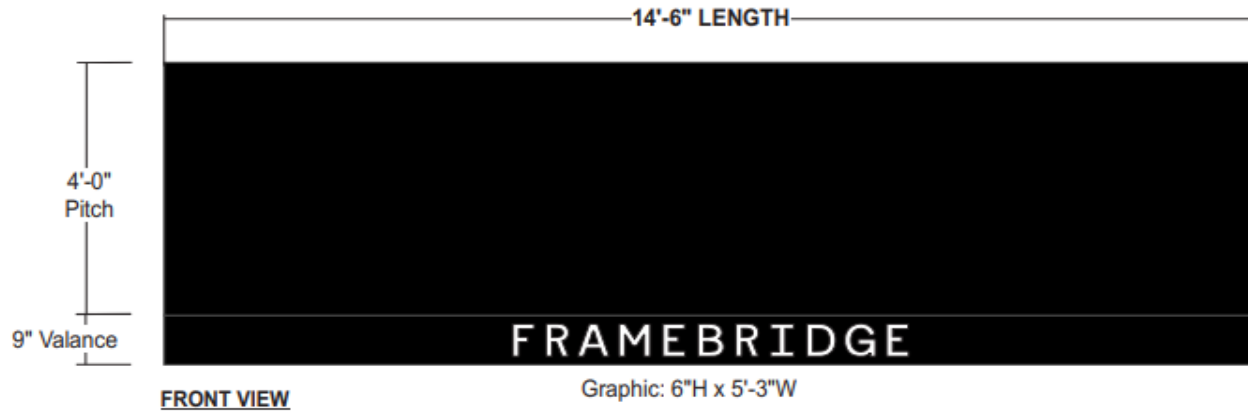
E02

NON-ILLUMINATED SHED AWNING

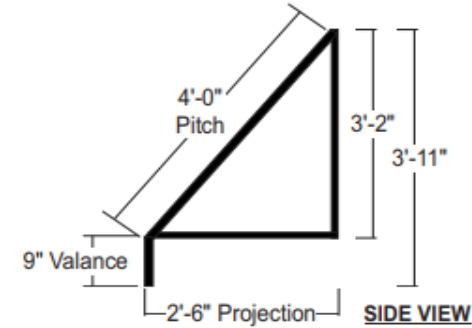
Scale: 1/2"=1'-0"

CUSTOM

2.6 square feet



RECOVER ONLY



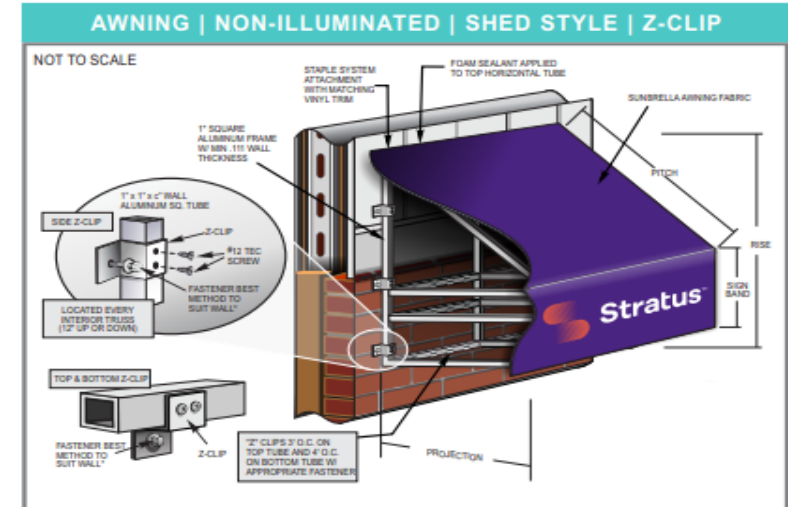
- FRAME:** 1" x 1" Aluminum Square Tube Frame painted Black
- FABRIC:** Black Sunbrella fabric material with open bottom
- GRAPHICS:** Heat Transferred White Vinyl Graphics
- INSTALL:** Thru bolted to wall using z-clips and min. 3/8" all thread into blocking
- QUANTITY:** (1) ONE AWNING required for NORTH elevation



COLOR PALETTE

- Sunbrella Black 4608
- Black
- Black

Paint finish to be Satin unless otherwise specified



Stratus®

stratusunlimited.com
 8959 Tyler Boulevard
 Mentor, Ohio 44060
 888.503.1569

CLIENT:
FRAMEBRIDGE

ADDRESS:
 5530 Magazine St.
 New Orleans, LA 70115

ORDER NUMBER:
 1219804

SITE NUMBER:
 1037

ELECTRONIC FILE NAME:
 G:\ACCOUNTS\F\FRAMEBRIDGE\LOCATIONS\LA\1037_New Orleans_R3.cdr

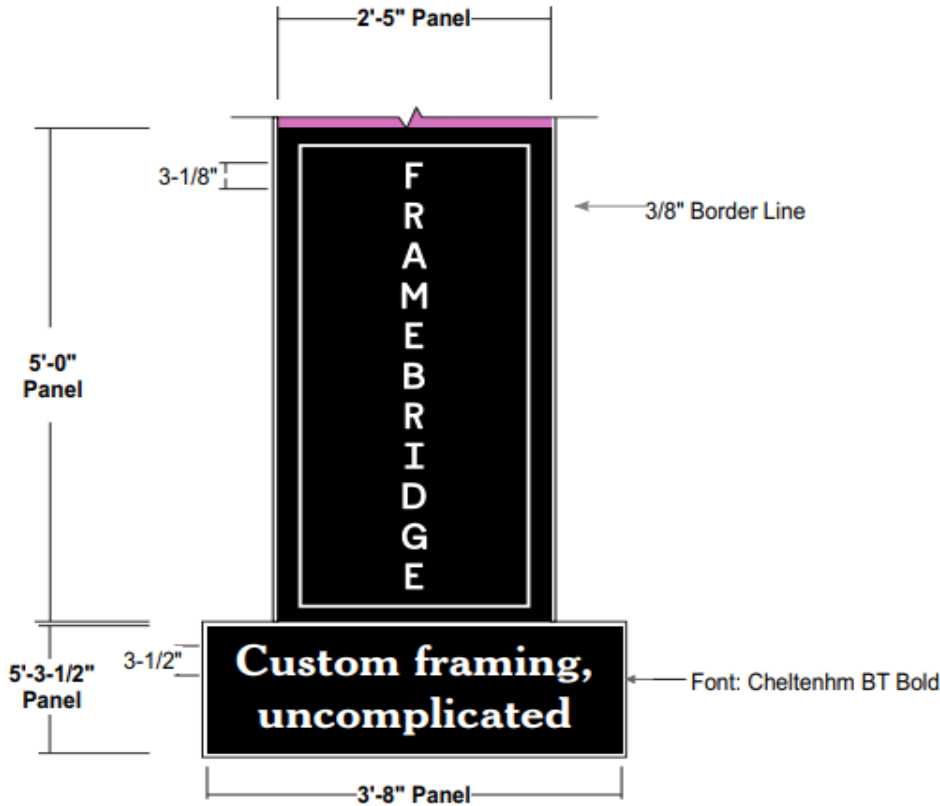
PROJECT NUMBER:
 87781

PROJECT MANAGER:
 ROB WONG

PAGE NO:
5

Rev #	Req #	Date/Artist	Description	Rev #	Req #	Date/Artist	Description
Original	482208	06/25/24 JT					
Rev 1	482961	06/28/24 BS					
Rev 2	483455	07/02/24 SM					
Rev 3	487499	07/31/24 MC	Update based on completed survey				

FACE REPLACEMENTS ONLY



- CABINET:** Existing S/F cabinet to remain
- FACES:** NEW .125 flat aluminum painted Black
- GRAPHICS:** Surface applied White die-cut vinyl
- INSTALL:** Panels applied flush to existing panels using fasteners thru face; Fastener heads painted to match faces
- QUANTITY:** (2) TWO REPLACEMENT FACES required for (1) One existing S/F Multi-Tenant Pylon

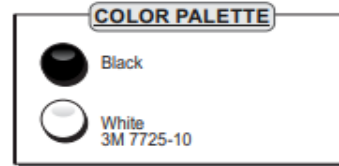
PROPOSED SIGNAGE

Scaled Proportionally

EXISTING CONDITIONS



EXISTING "SWAP" FACE TO BE REMOVED AND DISCARDED



Paint finish to be Satin unless otherwise specified



Stratus

stratusunlimited.com

8969 Tyler Boulevard
Mentor, Ohio 44060

888.503.1569

CLIENT:
FRAMEBRIDGE

ADDRESS:
5530 Magazine St.
New Orleans, LA 70115

PAGE NO.:
6

ORDER NUMBER:
1219804

SITE NUMBER:
1037

ELECTRONIC FILE NAME:
G:\ACCOUNTS\SF\FRAMEBRIDGE\LOCATIONS\LA\1037_New Orleans_R3.cdr

PROJECT NUMBER:
87781

PROJECT MANAGER:
ROB WONG

Rev #	Req #	Date/Artist	Description	Rev #	Req #	Date/Artist	Description
Original	482208	06/25/24 JT					
Rev 1	482961	06/28/24 BS	This option chosen, updated graphics				
Rev 2	483455	07/02/24 SM	Revised size of FRAMEBRIDGE				
Rev 3	487499	07/31/24 MC	Update based on completed survey				