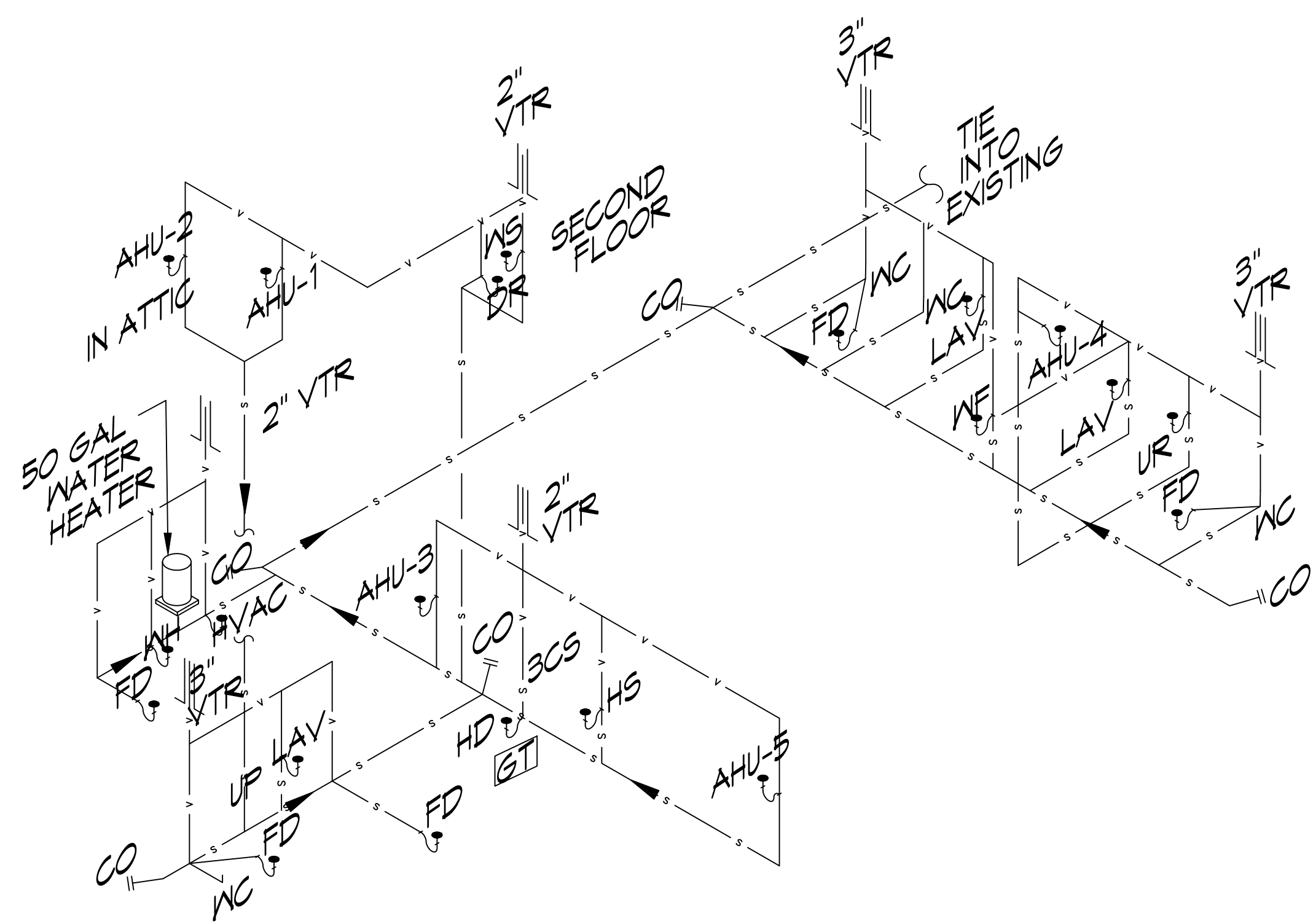


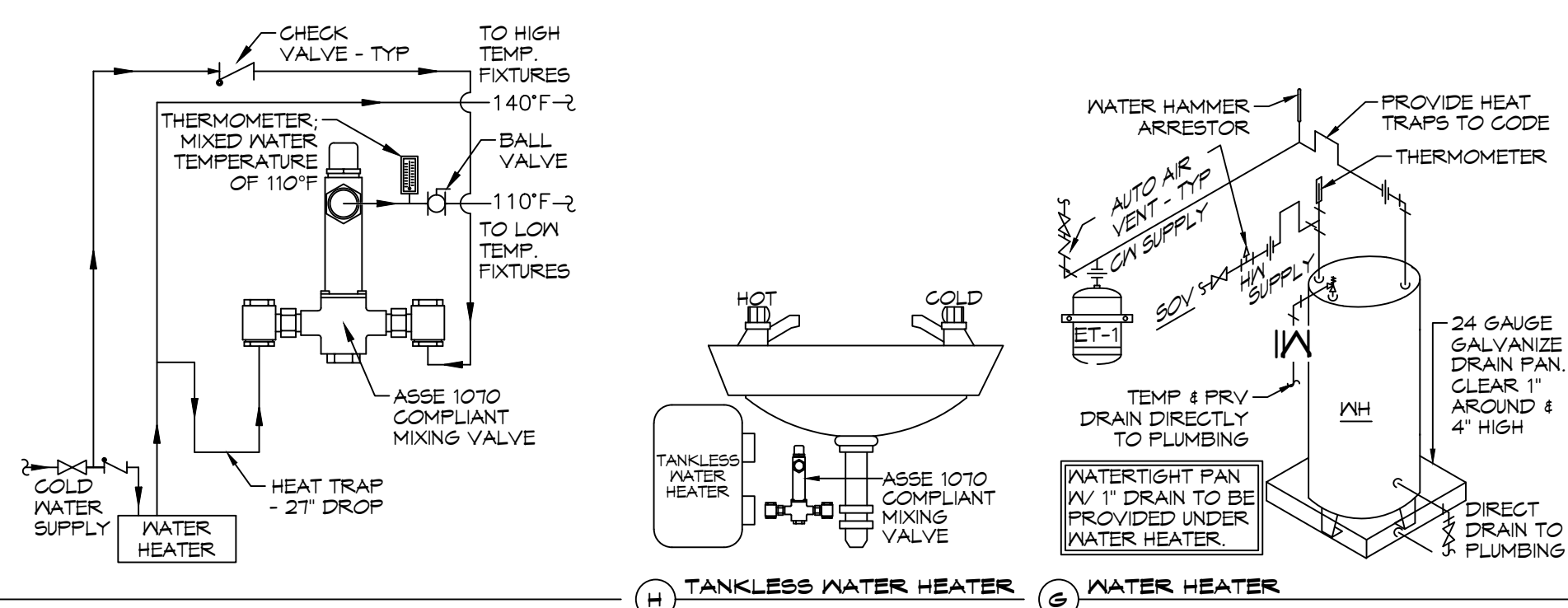
PLOT MARK: A-1, C-1, D-1, E-1, F-1, G-1, H-1, I-1, J-1, K-1, L-1, M-1, N-1, O-1, P-1, Q-1, R-1, S-1, T-1, U-1, V-1, W-1, X-1, Y-1, Z-1, AA-1, AB-1, AC-1, AD-1, AE-1, AF-1, AG-1, AH-1, AI-1, AJ-1, AK-1, AL-1, AM-1, AN-1, AO-1, AP-1, AQ-1, AR-1, AS-1, AT-1, AU-1, AV-1, AW-1, AX-1, AY-1, AZ-1, BA-1, BB-1, BC-1, BD-1, BE-1, BF-1, BG-1, BH-1, BI-1, BJ-1, BK-1, BL-1, BM-1, BN-1, BO-1, BP-1, BQ-1, BR-1, BS-1, BT-1, BU-1, BV-1, BW-1, BX-1, BY-1, BZ-1, CA-1, CB-1, CC-1, CD-1, CE-1, CF-1, CG-1, CH-1, CI-1, CJ-1, CK-1, CL-1, CM-1, CN-1, CO-1, CP-1, CQ-1, CR-1, CS-1, CT-1, CU-1, CV-1, CW-1, CX-1, CY-1, CZ-1, DA-1, DB-1, DC-1, DD-1, DE-1, DF-1, DG-1, DH-1, DI-1, DJ-1, DK-1, DL-1, DM-1, DN-1, DO-1, DP-1, DQ-1, DR-1, DS-1, DT-1, DU-1, DV-1, DW-1, DX-1, DY-1, DZ-1, EA-1, EB-1, EC-1, ED-1, EE-1, EF-1, EG-1, EH-1, EI-1, EJ-1, EK-1, EL-1, EM-1, EN-1, EO-1, EP-1, EQ-1, ER-1, ES-1, ET-1, EU-1, EV-1, EW-1, EX-1, EY-1, EZ-1, FA-1, FB-1, FC-1, FD-1, FE-1, FF-1, FG-1, FH-1, FI-1, FJ-1, FK-1, FL-1, FM-1, FN-1, FO-1, FP-1, FQ-1, FR-1, FS-1, FT-1, FU-1, FV-1, FW-1, FX-1, FY-1, FZ-1, GA-1, GB-1, GC-1, GD-1, GE-1, GF-1, GG-1, GH-1, GI-1, GJ-1, GK-1, GL-1, GM-1, GN-1, GO-1, GP-1, GQ-1, GR-1, GS-1, GT-1, GU-1, GV-1, GW-1, GX-1, GY-1, GZ-1, HA-1, HB-1, HC-1, HD-1, HE-1, HF-1, HG-1, HH-1, HI-1, HJ-1, HK-1, HL-1, HM-1, HN-1, HO-1, HP-1, HQ-1, HR-1, HS-1, HT-1, HU-1, HV-1, HW-1, HX-1, HY-1, HZ-1, IA-1, IB-1, IC-1, ID-1, IE-1, IF-1, IG-1, IH-1, II-1, IJ-1, IK-1, IL-1, IM-1, IN-1, IO-1, IP-1, IQ-1, IR-1, IS-1, IT-1, IU-1, IV-1, IW-1, IX-1, IY-1, IZ-1, JA-1, JB-1, JC-1, JD-1, JE-1, JF-1, JG-1, JH-1, JI-1, JJ-1, JK-1, JL-1, JM-1, JN-1, JO-1, JP-1, JQ-1, JR-1, JS-1, JT-1, JU-1, JV-1, JW-1, JX-1, JY-1, JZ-1, KA-1, KB-1, KC-1, KD-1, KE-1, KF-1, KG-1, KH-1, KI-1, KJ-1, KK-1, KL-1, KM-1, KN-1, KO-1, KP-1, KQ-1, KR-1, KS-1, KT-1, KU-1, KV-1, KW-1, KX-1, KY-1, KZ-1, LA-1, LB-1, LC-1, LD-1, LE-1, LF-1, LG-1, LH-1, LI-1, LJ-1, LK-1, LL-1, LM-1, LN-1, LO-1, LP-1, LQ-1, LR-1, LS-1, LT-1, LU-1, LV-1, LW-1, LX-1, LY-1, LZ-1, MA-1, MB-1, MC-1, MD-1, ME-1, MF-1, MG-1, MH-1, MI-1, MJ-1, MK-1, ML-1, MM-1, MN-1, MO-1, MP-1, MQ-1, MR-1, MS-1, MT-1, MU-1, MV-1, MW-1, MX-1, MY-1, MZ-1, NA-1, NB-1, NC-1, ND-1, NE-1, NF-1, NG-1, NH-1, NI-1, NJ-1, NK-1, NL-1, NM-1, NN-1, NO-1, NP-1, NQ-1, NR-1, NS-1, NT-1, NU-1, NV-1, NW-1, NX-1, NY-1, NZ-1, OA-1, OB-1, OC-1, OD-1, OE-1, OF-1, OG-1, OH-1, OI-1, OJ-1, OK-1, OL-1, OM-1, ON-1, OO-1, OP-1, OQ-1, OR-1, OS-1, OT-1, OU-1, OV-1, OW-1, OX-1, OY-1, OZ-1, PA-1, PB-1, PC-1, PD-1, PE-1, PF-1, PG-1, PH-1, PI-1, PJ-1, PK-1, PL-1, PM-1, PN-1, PO-1, PP-1, PQ-1, PR-1, PS-1, PT-1, PU-1, PV-1, PW-1, PX-1, PY-1, PZ-1, QA-1, QB-1, QC-1, QD-1, QE-1, QF-1, QG-1, QH-1, QI-1, QJ-1, QK-1, QL-1, QM-1, QN-1, QO-1, QP-1, QQ-1, QR-1, QS-1, QT-1, QU-1, QV-1, QW-1, QX-1, QY-1, QZ-1, RA-1, RB-1, RC-1, RD-1, RE-1, RF-1, RG-1, RH-1, RI-1, RJ-1, RK-1, RL-1, RM-1, RN-1, RO-1, RP-1, RQ-1, RR-1, RS-1, RT-1, RU-1, RV-1, RW-1, RX-1, RY-1, RZ-1, SA-1, SB-1, SC-1, SD-1, SE-1, SF-1, SG-1, SH-1, SI-1, SJ-1, SK-1, SL-1, SM-1, SN-1, SO-1, SP-1, SQ-1, SR-1, SS-1, ST-1, SU-1, SV-1, SW-1, SX-1, SY-1, SZ-1, TA-1, TB-1, TC-1, TD-1, TE-1, TF-1, TG-1, TH-1, TI-1, TJ-1, TK-1, TL-1, TM-1, TN-1, TO-1, TP-1, TQ-1, TR-1, TS-1, TT-1, TU-1, TV-1, TW-1, TX-1, TY-1, TZ-1, UA-1, UB-1, UC-1, UD-1, UE-1, UF-1, UG-1, UH-1, UI-1, UJ-1, UK-1, UL-1, UM-1, UN-1, UO-1, UP-1, UQ-1, UR-1, US-1, UT-1, UU-1, UV-1, UW-1, UX-1, UY-1, UZ-1, VA-1, VB-1, VC-1, VD-1, VE-1, VF-1, VG-1, VH-1, VI-1, VJ-1, VK-1, VL-1, VM-1, VN-1, VO-1, VP-1, VQ-1, VR-1, VS-1, VT-1, VU-1, VV-1, VW-1, VX-1, VY-1, VZ-1, WA-1, WB-1, WC-1, WD-1, WE-1, WF-1, WG-1, WH-1, WI-1, WJ-1, WK-1, WL-1, WM-1, WN-1, WO-1, WP-1, WQ-1, WR-1, WS-1, WT-1, WU-1, WV-1, WW-1, WX-1, WY-1, WZ-1, XA-1, XB-1, XC-1, XD-1, XE-1, XF-1, XG-1, XH-1, XI-1, XJ-1, XK-1, XL-1, XM-1, XN-1, XO-1, XP-1, XQ-1, XR-1, XS-1, XT-1, XU-1, XV-1, XW-1, XX-1, XY-1, XZ-1, YA-1, YB-1, YC-1, YD-1, YE-1, YF-1, YG-1, YH-1, YI-1, YJ-1, YK-1, YL-1, YM-1, YN-1, YO-1, YP-1, YQ-1, YR-1, YS-1, YT-1, YU-1, YV-1, YW-1, YX-1, YY-1, YZ-1, ZA-1, ZB-1, ZC-1, ZD-1, ZE-1, ZF-1, ZG-1, ZH-1, ZI-1, ZJ-1, ZK-1, ZL-1, ZM-1, ZN-1, ZO-1, ZP-1, ZQ-1, ZR-1, ZS-1, ZT-1, ZU-1, ZV-1, ZW-1, ZX-1, ZY-1, ZZ-1



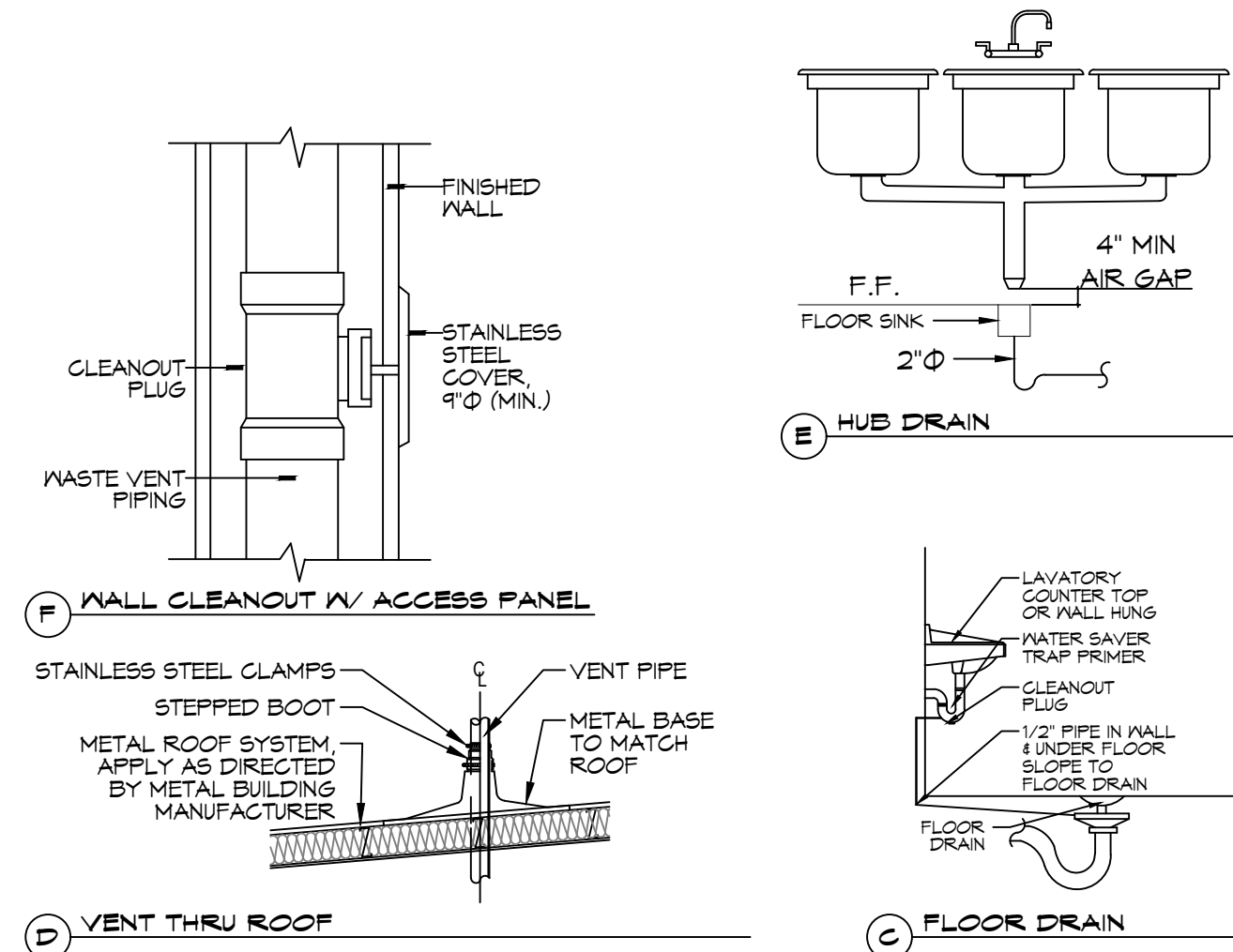
10 PLUMBING RISER DIAGRAM
SCALE: N.T.S.

- HEAT TRAP IS NOT REQUIRED WHERE MIXING VALVE IS INSTALLED BELOW STORAGE TANK OR WATER HEATER.
- SET THE MIXING VALVE TO THE SYSTEM ACCORDING TO MANUFACTURER'S INSTRUCTIONS.
- SET WATER HEATER TEMP TO 140°F FOR: MOP SINK, 3-COMP SINK, PRE-RINSE, DISHWASHER, & PREP. SINK ONLY.
- PROVIDE TEMPERING VALVE (110°F) AS SHOWN FOR ALL HAND SINKS W/ HOT WATER SUPPLIES.

WATER HEATER DETAILS
SCALE: N.T.S.



PLUMBING DETAILS
SCALE: N.T.S.



GENERAL PLUMBING NOTES

- PROVIDE ALL LABOR, MATERIAL AND EQUIPMENT FOR A COMPLETE OPERATING SYSTEM. THE SYSTEM SHALL INCLUDE HOT AND COLD WATER PIPING, SEWER AND VENT PIPING, INSULATION, WATER HEATER, HANGERS, VALVES, SUPPORTS WITHOUT ANY RESTRICTION, CUT AND PATCH AS REQUIRED TO INSTALL PIPES.
- ALL WORK AND MATERIAL SHALL CONFORM STRICTLY TO THE LATEST LOCAL, CITY, PARISH, STATE AND NATIONAL GOVERNING CODES.
- CONTRACTOR IS TO FIELD VERIFY ALL EXISTING UTILITY LOCATIONS, ELEVATIONS AND SIZES PRIOR TO COMMENCING ANY WORK. CONTRACTOR SHALL PAY NECESSARY FEES FOR THE UTILITIES CONNECTIONS.
- CONTRACTOR IS RESPONSIBLE TO VERIFY THE EXISTING INVERTS AND SET NEW INVERTS OF SEWERAGE AND DRAINAGE PIPES.
- SEWERAGE LINES 3-INCH AND SMALLER SHALL BE SLOPED 1/4" PER FOOT AND LINE 4-INCH AND LARGER SHALL BE 1/8" PER FOOT.
- TEST ALL PIPING AT REQUIRED PRESSURE.
- ALL PLUMBING SHALL BE CLOSELY COORDINATED WITH STRUCTURAL SYSTEMS MECHANICAL SYSTEMS AND ELECTRICAL SYSTEMS TO INSURE NO TRADES WILL CONFLICT WITH EACH OTHER.
- DO NOT SCALE DRAWINGS. SEE ARCHITECTURAL DRAWINGS FOR EXACT LOCATION OF DOORS, WINDOWS, WALLS, FIXTURES, ETC.
- ALL WATER MAINS AND PIPING NOT RISEN FOR CLARITY, ALL LOCATIONS FIELD VERIFIED.
- DOMESTIC HOT AND COLD WATER PIPING AND FITTINGS UNDER SLAB SHALL BE ASTM B88 COPPER WATER TUBE, TYPE K SOFT ANNEAL. NO JOINTS SHALL BE ALLOWED UNDER THE SLAB.
- DOMESTIC WATER PIPING AND FITTINGS ABOVE THE SLAB SHALL BE ASTM B88 COPPER WATER TUBE, TYPE L HARD DRAWN WITH COPPER PRESSURE TYPE FITTINGS, ANSI B16.22. THE JOINTS SHALL BE SOLDERED TYPE USING ASTM B32, ALLOY GRADE #8A (#8-S) SOLDER.
- SOL. WASTE VENT PIPING AND FITTINGS ABOVE THE SLAB SHALL BE SERVICE WEIGHT CAST IRON PIPE WITH BELLS AND SPIGOT ENDS AND ONE PIECE NEOPRENE INSERT TYPE GASKET. USE PVC SCHEDULE 40 OR ABS D.V.V. PIPES AND FITTINGS WHERE PERMITTED BY CODE.
- ALL WATER PIPING AND FITTINGS ABOVE THE FLOOR SHALL BE INSULATED WITH 1/2" THICK FIBERGLASS INSULATION AND JACKET.
- ALL ELECTRICAL, MECHANICAL AND PLUMBING PENETRATING FIRE PARTITIONS SHALL BE FIRE CAULKED. (PENETRATIONS THROUGH RATED CONSTRUCTION SHALL BE SEALED WITH A MATERIAL CAPABLE OF PREVENTING THE PASSAGE OF FLAMES AND HOT GASES WHEN TESTED IN ACCORDANCE WITH ASTM-E814.)
- ALL PLUMBING LINES RISEN ARE DIAGRAMMATIC.
- CONTRACTOR TO FIELD VERIFY LOCATION OF ALL UTILITIES PRIOR TO START OF WORK.
- ALL WORK SHALL COMPLY WITH ALL APPLICABLE LOCAL, STATE, AND NATIONAL CODES.
- CONTRACTOR SHALL PROVIDE TRAP SEAL PRIMERS. FIELD VERIFY LOCATION OF TRAP SEAL VALVE IN ADEQUATELY SIZED LINE WITH CONSISTENT USAGE. PLACE VALVE IN ACCESSIBLE LOCATION FOR MAINTENANCE.
- REFER TO MANUFACTURER EQUIPMENT CUT-RISERS FOR FIXTURE MOUNTING DIMENSIONS.
- CONTRACTOR TO PROVIDE BACKFLOW PREVENTION DEVICES AS REQ'D ON ALL ICE MACHINES, SODA DISPENSERS & ANY OTHER EQUIPMENT DEEMED APPLICABLE BY GOVERNING CODES.

GENERAL DOMESTIC WATER NOTES

- PROVIDE CHAMBERS ON ALL DOMESTIC WATER BRANCH PIPING SERVING FIXTURES.
- PROVIDE ISOLATION VALVES IN HOT AND COLD WATER PIPING TO ALL FIXTURE GROUPS.
- ALL FIXTURES SHALL BE INSTALLED LEVEL AND TRUE, CENTER FIXTURES WHERE APPLICABLE, FOR INSTANCE WATER CLOSETS IN NON-ADA STALLS.
- PROVIDE THERMOSTATIC MIXING VALVES TO ALL FIXTURES SUPPLIED WITH HOT WATER. LOCATE VALVE ABOVE CEILING WITH THE HOT WATER PIPED TO THE FIXTURE.

PLUMBING FIXTURE SCHEDULE

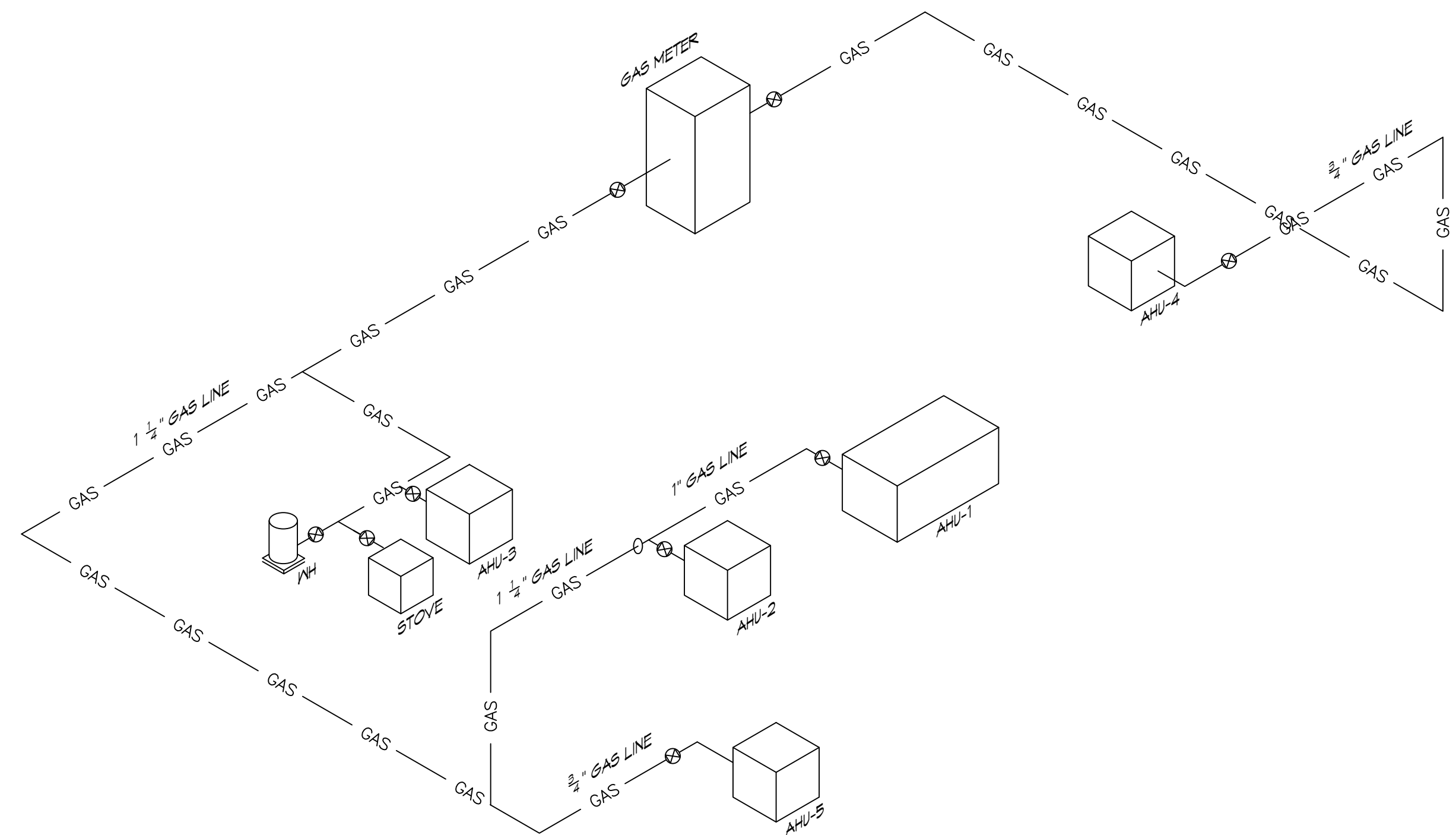
MK	DES.	TYPE	ROUGH - IN - SIZE				NOTE
			WASTE	VENT	COLD	HOT	
WC	WATER CLOSET	VALVE	3"	3"	1-1/2"	-	3
UR	URINAL	VALVE	3"	2"	3/4"	-	3
LAV	LAVATORY	WALL HUNG	2"	2"	3/4"	3/4"	1,2,3
FD	FLOOR DRAIN	-	3"	2"	-	-	4
3CS	THREE COMP SINK	-	2"	2"	2-1/2"	2-1/2"	3
HS	HAND SINK	-	3"	2"	3/4"	3/4"	-
HB	HOSE BIB	VALVE	-	-	3/4"	-	-
WH	WATER HEATER	-	3/4"	2"	3/4"	3/4"	-
AHU	AIR HANDLER DRAIN	-	3/4"	2"	-	-	-

- NOTES:
- INSULATE PIPING FOR HANDICAP FIXTURES.
 - PROVIDE CHAIR CARRIER FOR WALL HUNG FIXTURES.
 - H.C. - HANDICAP FIXTURE
 - INSTALL CONTINUOUS DRIP VALVE ON ALL FLOOR DRAINS.
 - FIXTURES SELECTED BY OWNER.

LEGEND

- CO - CLEAN OUT
- VTR - VENT THRU ROOF
- v - VENTILATION
- s - SEWERAGE
- ⊗ - GATE VALVE

ALL PLUMBING LINES ARE DRAWN DIAGRAMMATICALLY FOR CLARITY.



11 GAS RISER DIAGRAM
SCALE: N.T.S.

DAMMON ENGINEERING, INC.
 LOUISIANA & MISSISSIPPI
 Chief Engineer: Brian Misch, PE
 554 Old Spanish Trail
 Slidell, LA 70458
 www.dammonengineering.com
 info@dammonengineering.com
 PH: 985.649.5832 F: 985.641.5950

#	DESCRIPTION	DATE

NO.	DATE	BY	CHECKED BY:
02-06-2023	24/10	CKD	BAK

ARCHITECT
 420 FELICITY STREET
 NEW ORLEANS LA 70130
 JOB No: 2410
 DRAWN BY: CKD

SHEET TITLE:
SEWER, GAS & POTABLE WATER PLUMBING PLAN AND NOTES

DRAWING NUMBER:

P103