

**GENERAL FOUNDATION NOTES:**

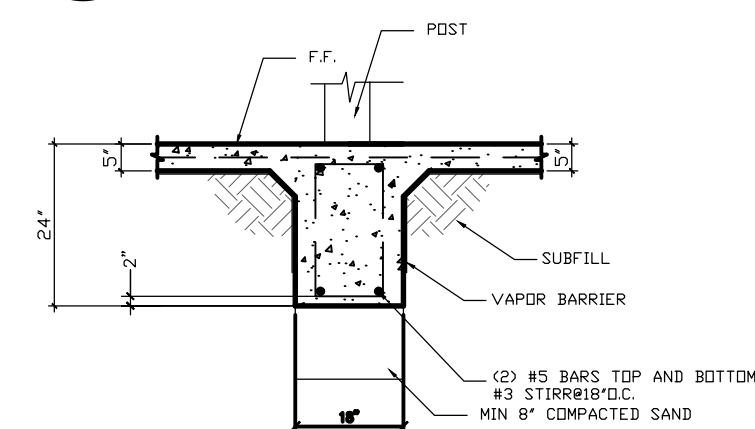
- NOTES FOR CONCRETE (WHEN APPLICABLE)
1. ALL SUBBASE TO BE COMPACTED TO 2500 PSF MODIFIED PROCTOR
  2. ALL CONCRETE SHALL HAVE A MINIMUM COMPRESSIVE STRENGTH OF 4000 PSI AT 28 DAYS WITH A 5" MAXIMUM SLUMP, GRADE 40 DEFORMED REINFORCING.
  3. ALL CONCRETE CONSTRUCTION SHALL CONFORM TO THE CURRENT "ACI MANUAL OF CONCRETE PLACEMENT".
  4. 12" HOOKS REQUIRED AT CORNERS.
  5. CONCRETE SHALL CONFORM TO ACI 318, LATEST EDITION.
  6. REINFORCING OR FABRIC ON GRADE SHALL BE CHAIRED WITH 3000 PSI CONCRETE BRICKETTES SPACED TO ADEQUATELY SUPPORT THE REINFORCING, BUT NOT GREATER THAN 3'-0" O.C. EACH WAY. AT RAISED FLOORS USE METAL CHAIRS.
  7. ALL REINFORCING SHALL BE SPLICED WITH A CLASS "B" LAP SPLICE IN ACCORDANCE WITH THE CURRENT ACI 318 SPECIFICATION.
  8. ALL REINFORCING STEEL SHALL BE IN ACCORDANCE WITH ASTM A615 GRADE 60, WELDED WIRE FABRIC (WWF) SHALL BE IN ACCORDANCE WITH ASTM A185 WIRE SHALL CONFORM TO ASTM A82. LAP ALL FABRIC ONE WIRE SPACING PLUS 6".
  9. 15 MIL VAPOR BARRIER REQUIRED UNDER ALL CONCRETE FOUNDATIONS.
  10. ANCHOR FLOOR PLATES TO SLAB WITH 5/8", A307 ANCHOR BOLTS (3" LEG) WITH A MINIMUM EMBEDMENT OF 7" WITH 3" X 3" X 1/8" WASHERS SPACED @ 12" O.C., BEGINNING 12" FROM THE CORNER AND RUNNING FOR 4'-0". BEYOND 4'-0" FROM THE CORNER, SPACE THE BOLTS @ 24" O.C. MAX.
  11. ALL EXPOSED EDGES OF CONCRETE SHALL BE CHAMFERED 3/4"
  12. REMOVE VISQUEEN AND EARTH FILL FROM THE TOPS OF PILES AND WHERE CONCRETE WILL BEAR ON THE TOP OF THE PILE CAP.
  13. CONTRACTOR IS RESPONSIBLE FOR LOCATION FINISHED FLOOR LEVEL ACCORDING TO THE FLOOD ZONE REQUIREMENTS.
  14. ANY INFORMATION OBTAINED DETERMINE THE HEIGHT OF THE STRUCTURE MUST BE COORDINATED WITH THE OWNER PRIOR TO CONSTRUCTION TO CREATE A FULL UNDERSTANDING.
  15. FOUNDATION TO BE TREATED FOR TERMITES BY A LICENSED PROFESSIONAL AND TERMITE CERTIFICATE MUST BE SUBMITTED WITH TOP OF FORM CERTIFICATE.

**SPECIAL NOTES**

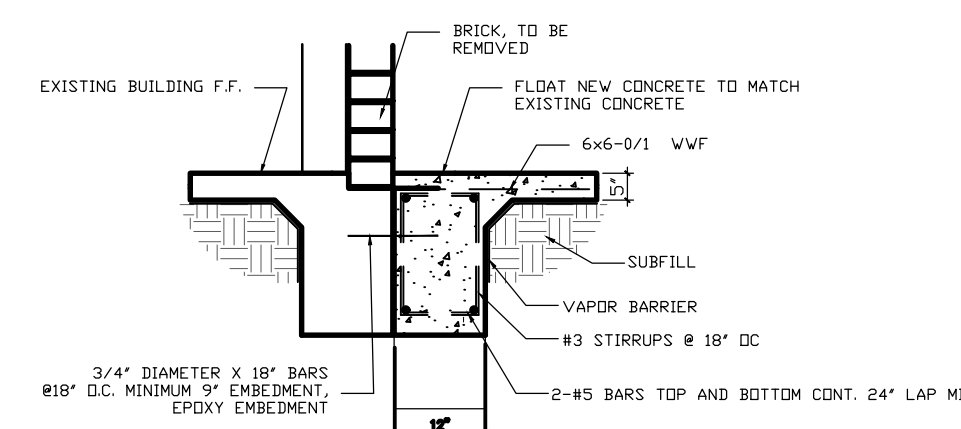
1. CONTRACTOR IS RESPONSIBLE FOR LOCATING SLAB HEIGHT ACCORDING TO THE FLOOD ZONE REQUIREMENTS.
2. ALL OBTAINED INFORMATION SHALL BE CORRESPONDED WITH OWNER AND BEFORE ANY WORK IS STARTED.
3. FOUNDATION IS TO BE TREATED FOR TERMITES BY A LICENSED PROFESSIONAL AND TERMITE CERTIFICATE MUST BE SUBMITTED WITH TOP OF FORM CERTIFICATE.



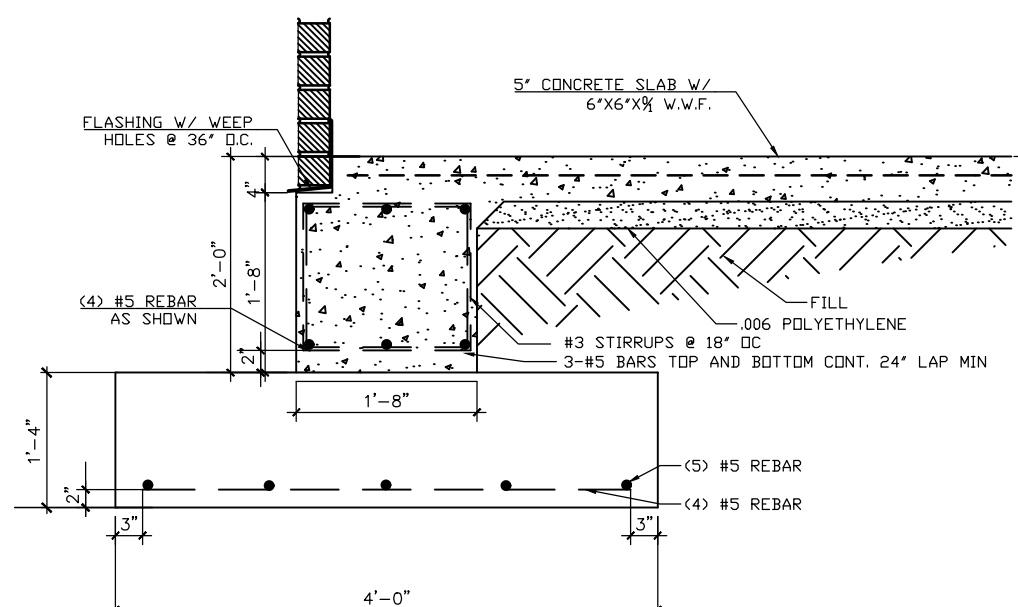
**A EXTERIOR GRADE BEAM**  
SCALE: NTS



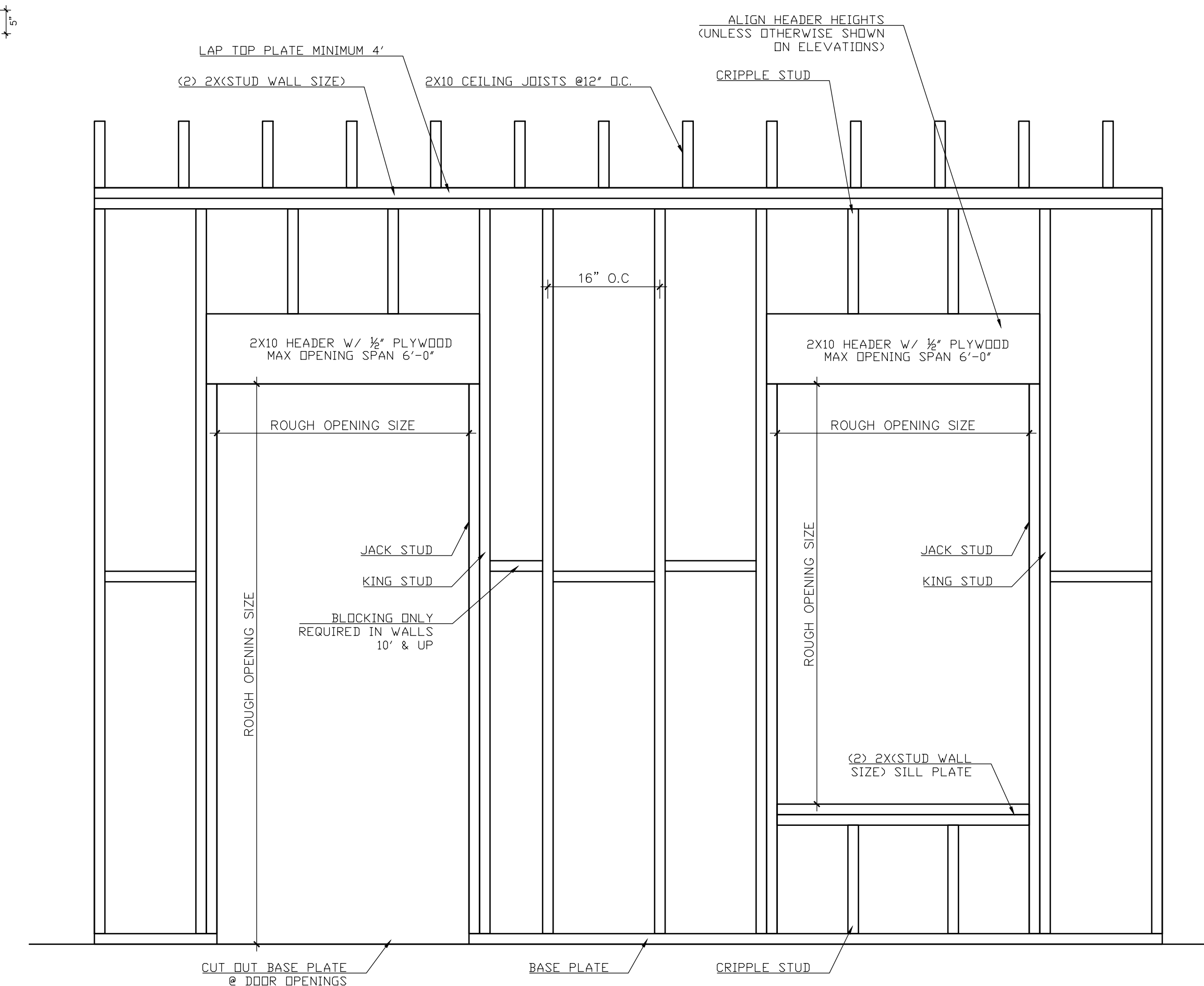
**B INTERIOR GRADE BEAM**  
SCALE: NTS



**C EXTERIOR GRADE BEAM SECTION A-A**  
SCALE: NTS



**D EXTERIOR GRADE BEAM**  
SCALE: NTS



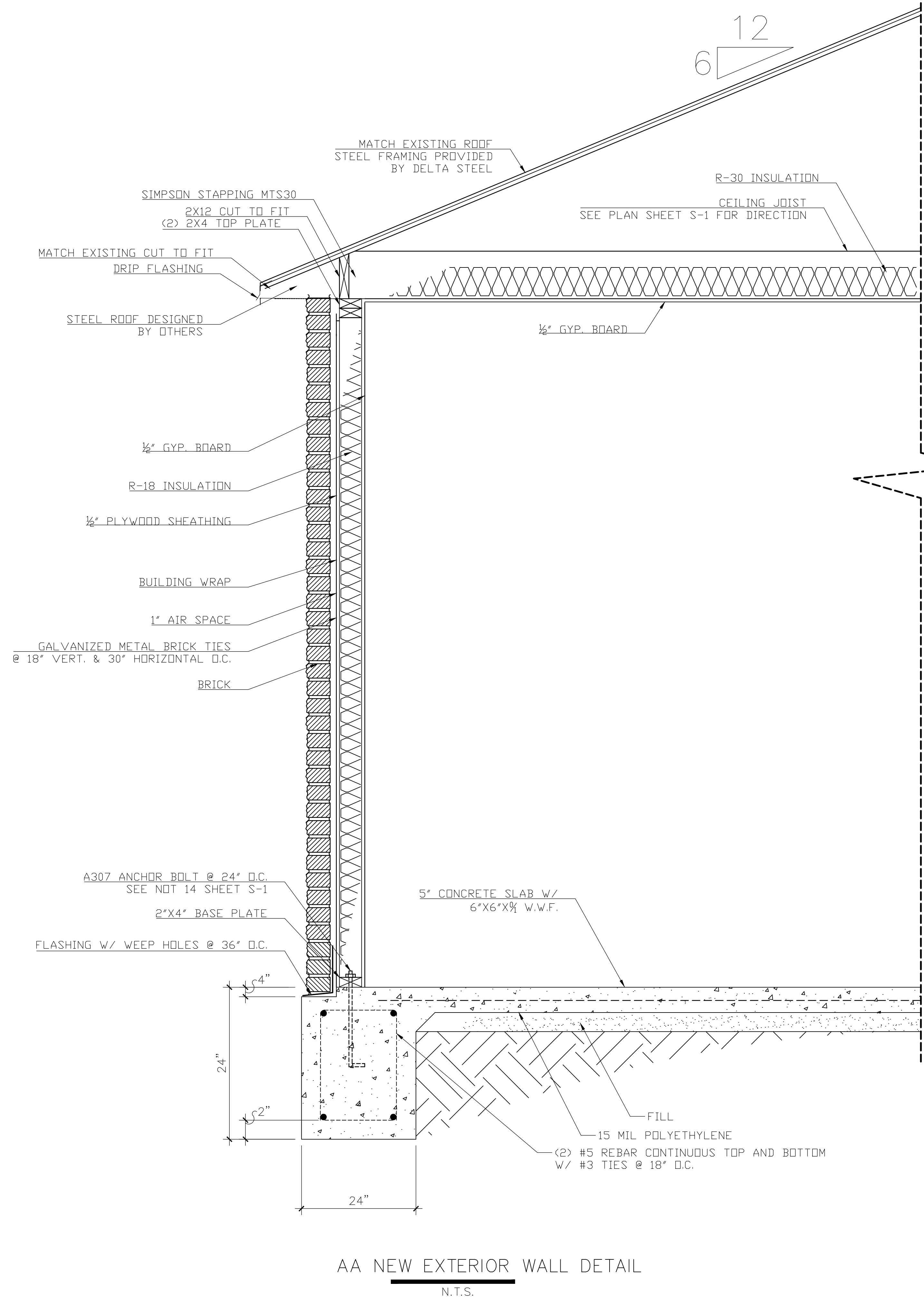
REGISTERED PROFESSIONAL ENGINEER  
THOMAS E. PITTMAN  
REGISTRATION NO. 19516

FOUNDATION PLAN  
10438 BOUDREAU ROAD  
GONZALES, LA 70737  
PARISH OF ASCENSION, LOUISIANA

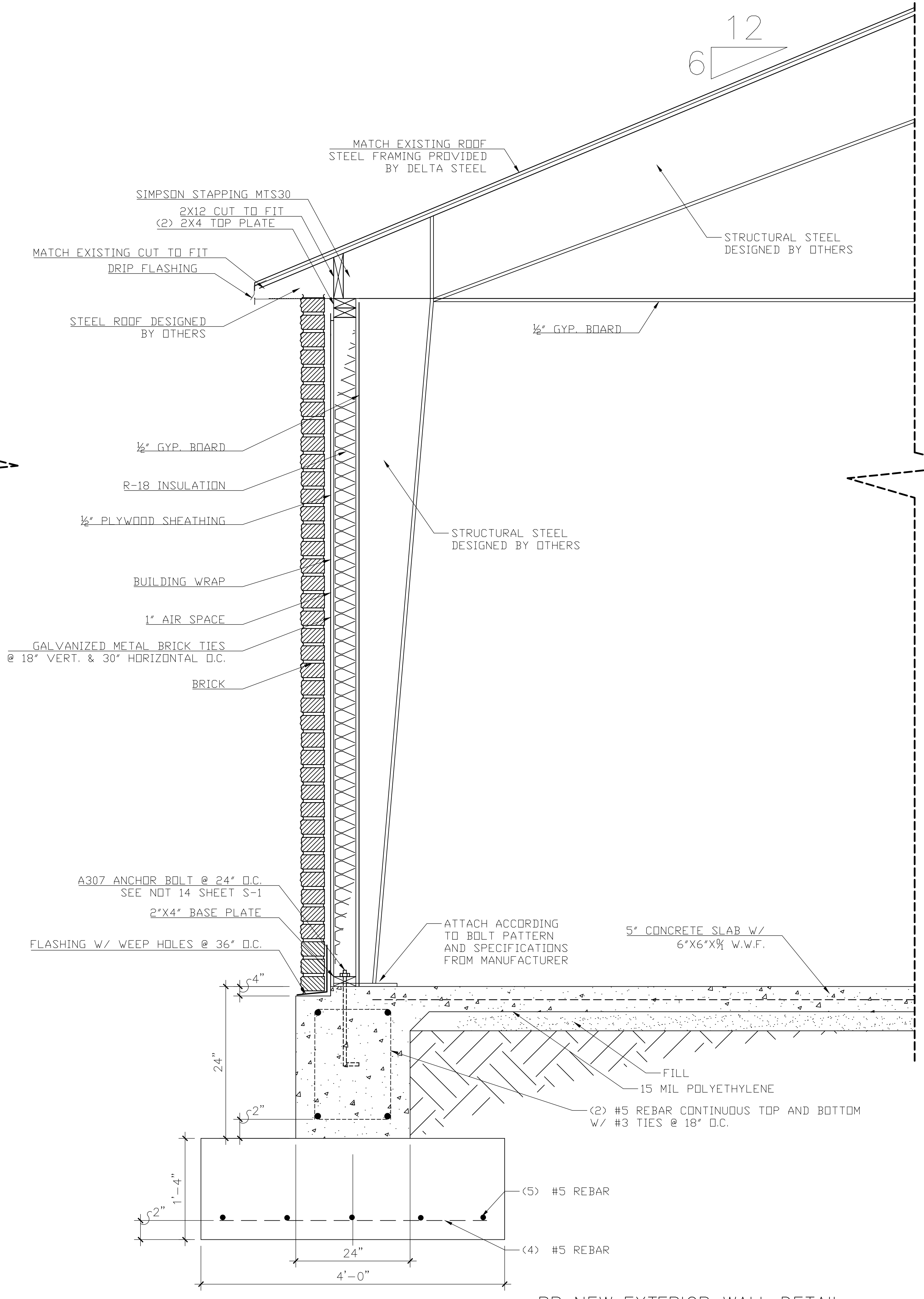
ST. PAUL BAPTIST CHURCH OF GONZALES

MARK	DESCRIPTION	REVISION RECORD	DATE	BY	CHK'D

PROJECT NUMBER: 652  
DATE: 9/1/2025  
DRAWN BY: K.A.B.  
CHECKED BY: T.E.P.



AA NEW EXTERIOR WALL DETAIL  
N.T.S.



BB NEW EXTERIOR WALL DETAIL  
WITH STEEL STRUCTURE  
N.T.S.

REGISTERED PROFESSIONAL ENGINEER  
THOMAS E. PITMAN  
REGISTRATION NO. 19516

TYPICAL WALL SECTIONS  
10438 BOUDREAU ROAD  
GONZALES, LA 70737  
PARISH OF ASCENSION, LOUISIANA  
ST. PAUL BAPTIST CHURCH OF GONZALES

MARK	DESCRIPTION	REVISION RECORD	DATE	BY	CHK'D

PROJECT NUMBER:  
652  
DATE:  
9/1/2025  
DRAWN BY:  
K.A.B.  
CHECKED BY:  
T.E.P.



CEILING JOIST PLAN  
SCALE: 1/8"=1'-0"

"WOOD" CEILING / FLOOR FRAMING NOTES:

1. ALL CEILING JOIST SHALL BE: #2 LUMBER 2X10 @ 12" O.C.
2. ALL BEAMS SHALL BE: (2) 2X12 UNLESS NOTED OTHERWISE
4. ALL HEADERS @ 2X4 WALLS SHALL BE: (2) 2X12 W/ 1/2 PLYWOOD OR METAL FRAMING EQUIVALENT UNLESS NOTED OTHERWISE
5. ALL HEADERS @ 2X6 WALLS SHALL BE: (3) 2X12 W/ 1/2 PLYWOOD OR METAL FRAMING EQUIVALENT UNLESS NOTED OTHERWISE
6. ALL CEILING JOISTS SHALL HAVE BLOCKING MID SPAN.
7. OPEN WEB JOISTS TO BE INSTALLED PER MANUFACTURER'S SPECIFICATIONS.
8. ALL JOISTS ARE TOP MOUNTED.

REGISTERED PROFESSIONAL ENGINEER  
THOMAS E. PITTMAN  
REGISTRATION NO. 19516

CEILING JOIST PLAN  
10438 BOUDREAUX ROAD  
GONZALES, LA 70737  
PARISH OF ASCENSION, LOUISIANA  
ST. PAUL BAPTIST CHURCH OF GONZALES

MARK	DESCRIPTION	REVISION RECORD	DATE	BY	CHK'D

PROJECT NUMBER: 652  
DATE: 9/1/2025  
DRAWN BY: K.A.B.  
CHECKED BY: T.E.P.