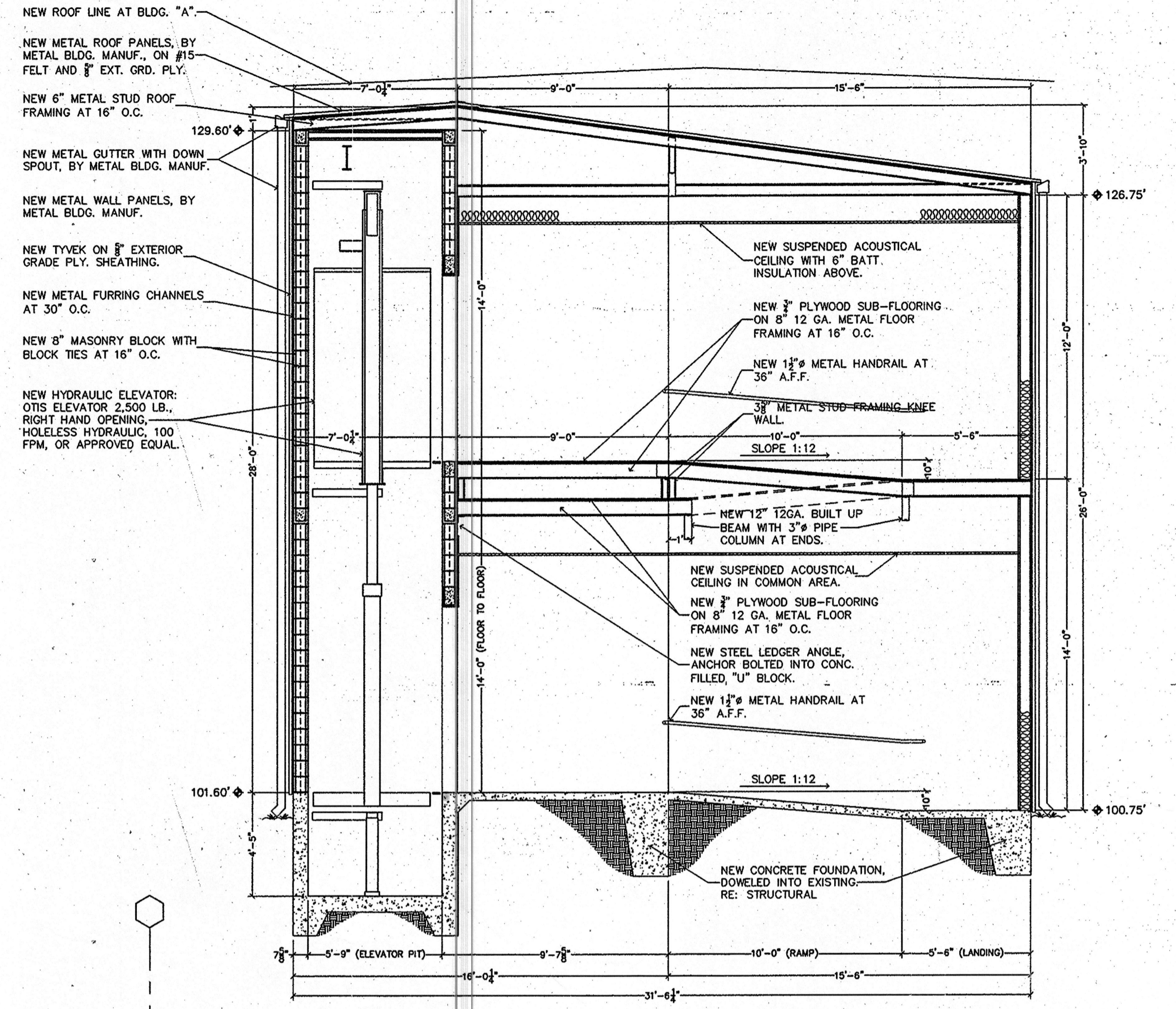
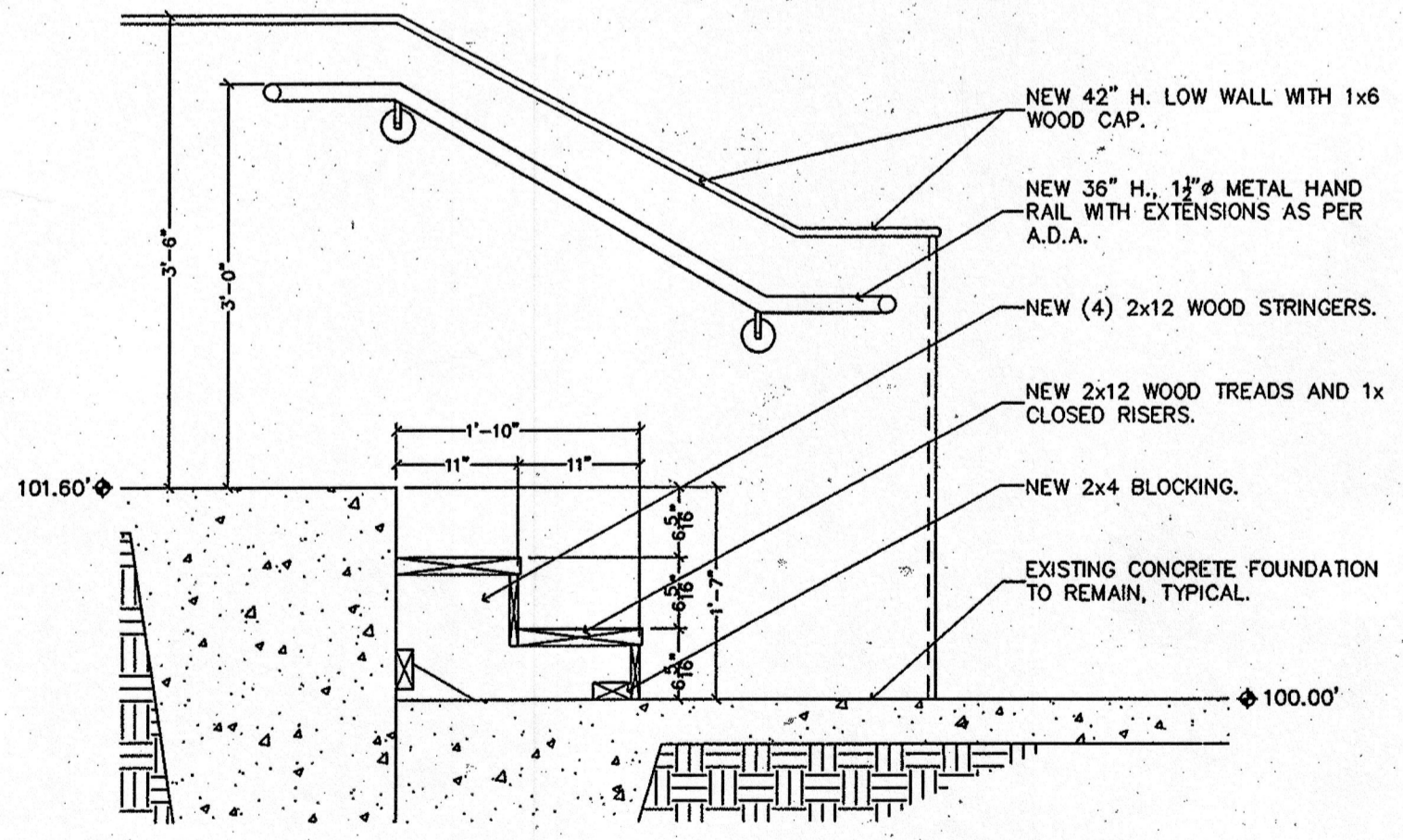


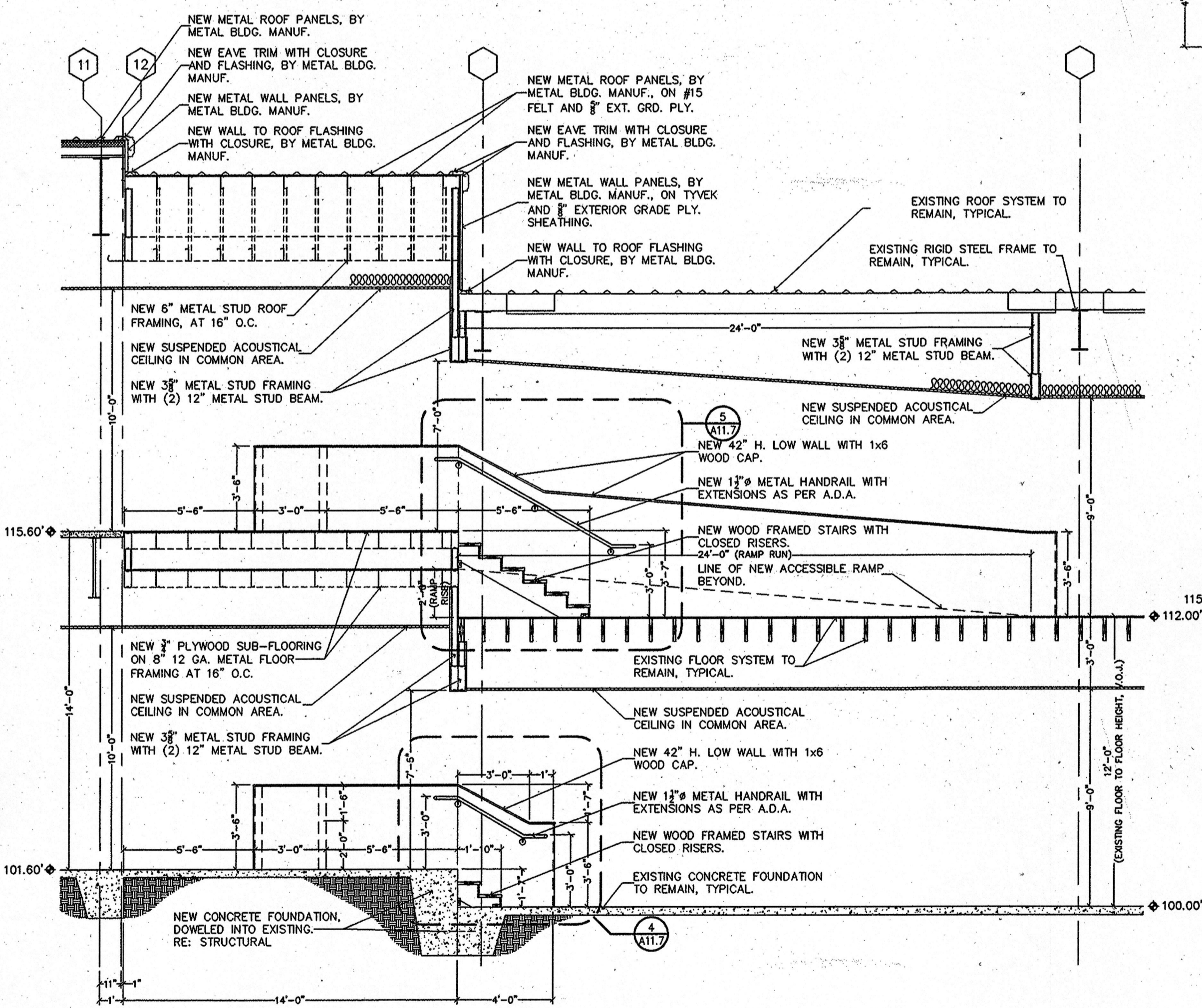
1 PROPOSED BUILDING SECTION
SCALE: 1/4" = 1'-0"
AT CONNECTION BETWEEN BUILDINGS "B" AND "C"



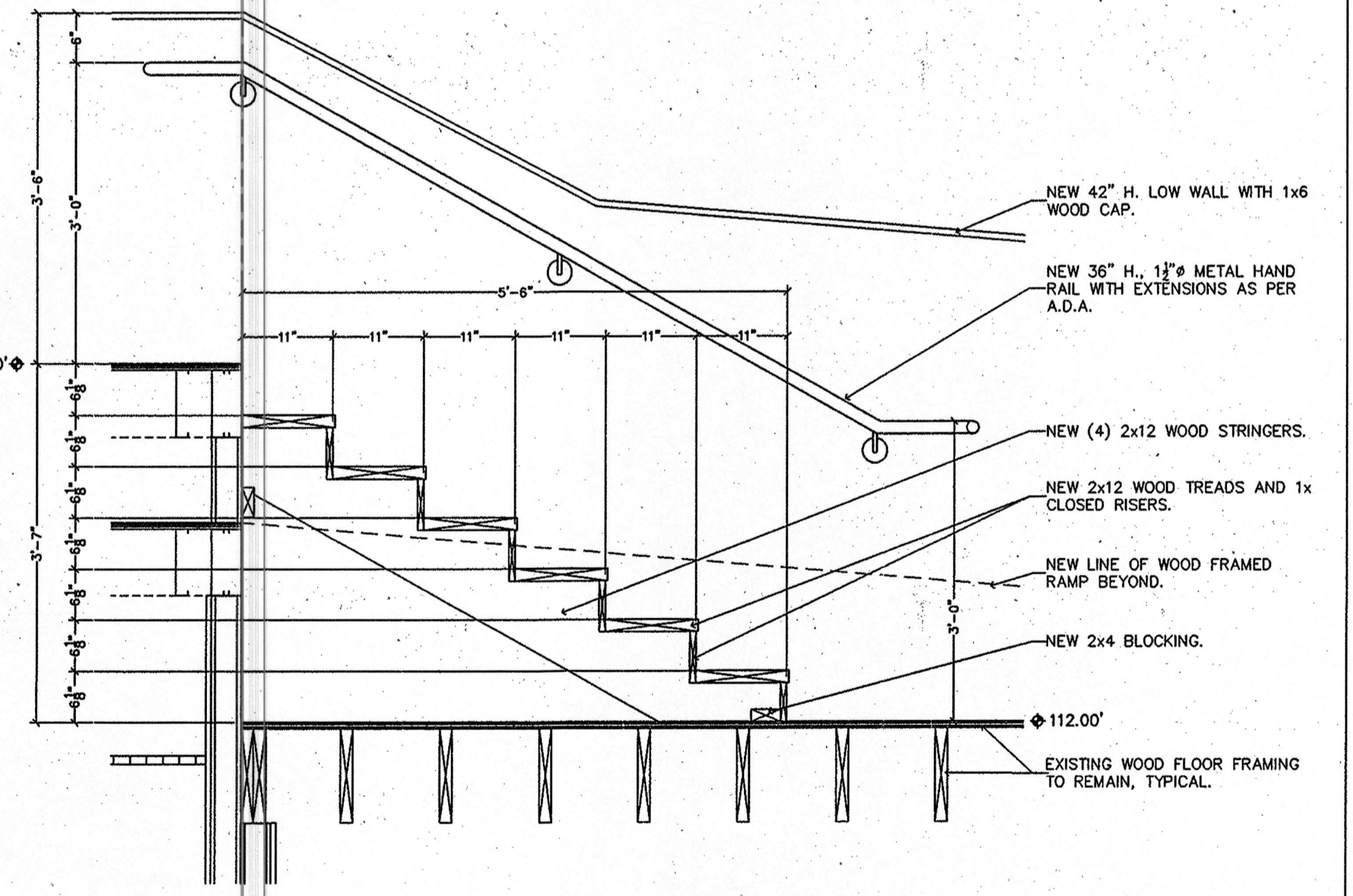
2 PROPOSED BUILDING SECTION
SCALE: 1/4" = 1'-0"
AT CONNECTION BETWEEN BUILDINGS "B" AND "C"



4 PROPOSED STAIR SECTION
SCALE: 3/4" = 1'-0"



3 PROPOSED BUILDING SECTION
SCALE: 1/4" = 1'-0"
AT CONNECTION BETWEEN BUILDINGS "B" AND "C"



5 PROPOSED STAIR SECTION
SCALE: 3/4" = 1'-0"

project 1403
date 1-17-05
revisions



Piazza Architecture • Planning
Mandeville • Louisiana • Miramar Beach • Florida



P.A.P. © 2005

EXPANSION and RENOVATION TO:
CROSSGATES ATHLETIC CLUB
200 NORTH MILITARY ROAD
SLIDELL - LOUISIANA

sheet
A11.7
of 68