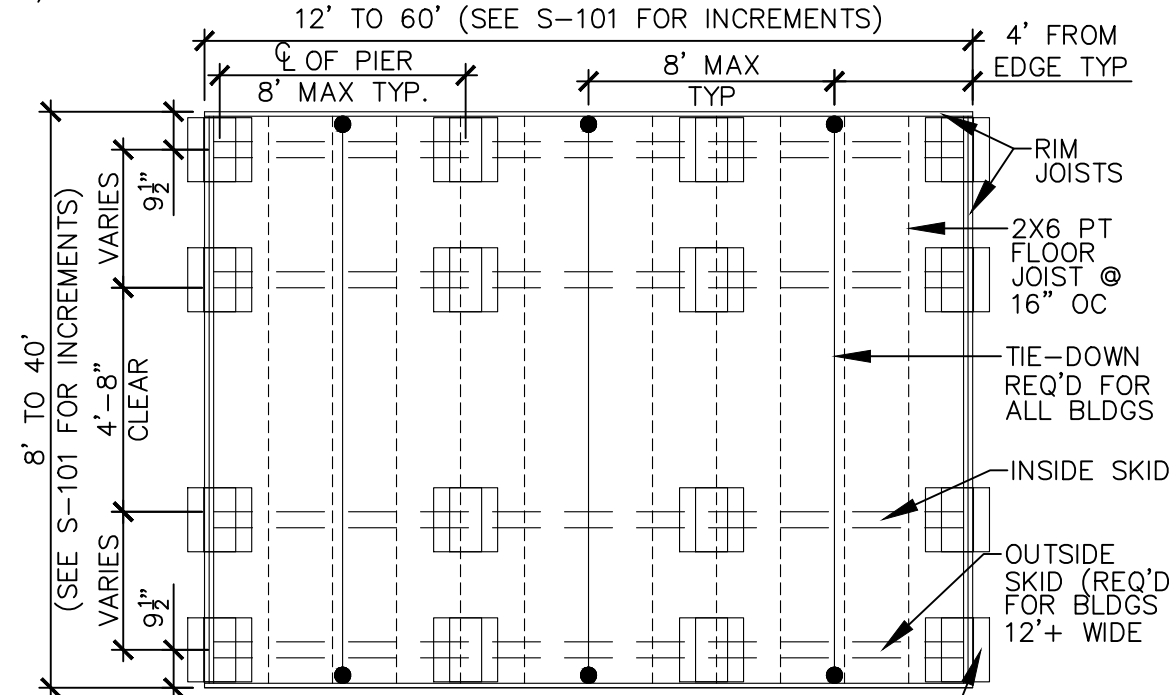


SCALE: 3/8"=1'-0"

DETAIL



MAX OF (3) 8"x8"x16" CMU TO INCREASE SHED HEIGHT. EACH PIER SHALL BEAR ON (1) 4"x16"x16" CONC PAD. MAX BUILD UP OF 24". MIN DIMENSIONS OF BEARING AREA IS 16"x16"
FOUNDATION PLAN

OTHER NOTES

CONCRETE:

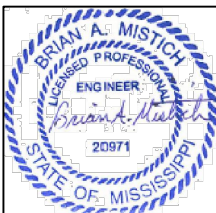
1. MATERIALS (COMPRESSIVE STRENGTH AT 28 DAYS)
 FOOTINGS 3,000 PSI
 FOOTINGS & EXTERIOR CONCRETE SHALL BE AIR-ENTRAINED.

MASONRY:

CMU-f'm=1,500 PSI
 MORTAR-f'm=1,900 PSI
 GROUT-f'm=3,500 PSI

FOUNDATION NOTES:

1. ANCHORS ARE SPECIFIED ON SHEET S-103 & SHALL BE INSTALLED PER MANUFACTURE'S RECOMMENDATIONS PER THE BUILDING CODE.
2. ANCHORS & STRAPS INCLUDING THE INSTALLATION SHALL MEET THE REQUIREMENTS OF APPENDIX E OF THE INTERNATIONAL RESIDENTIAL BUILDING CODE.
3. THE MINIMUM ALLOWABLE SOIL BEARING CAPACITY OF 2500 psf HAS BEEN ASSUMED FOR FOOTING DESIGN. CONTRACTOR TO HAVE THIS CAPACITY VERIFIED PRIOR TO CONSTRUCTION.
4. IF A MINIMUM ALLOWABLE SOIL BEARING CAPACITY OF 1500 psf IS USED, THEN THE PIER SPACING SHALL BE NO GREATER THAN 4'-0.
5. FOOTINGS SHALL BE CARRIED TO AN ELEVATION LOWER THAN THOSE SHOWN ON THE DRAWINGS IF REQUIRED TO REACH SUITABLE SOIL.
6. FOOTINGS SHALL BE PLACED ON SUITABLE SOIL THAT MEETS DESIGN ASSUMPTIONS.
7. FOUNDATION MATERIALS & LABOR IS PROVIDED BY CUSTOMER.
8. TIE DOWNS SHALL BE PLACED AT EACH OUTER PIER.
9. SHED IS DESIGNED TO ALSO BE PLACED ON FLAT, LEVEL GROUND DIRECTLY ON THE SKIDS.



DANCO BUILDINGS, LLC.

PHONE: 601-551-0469 EMAIL: CHRISDANIELST6@GMAIL.COM

DRAWN BY: CKD SCALE: 1/4" = 1'-0" DATE: 02-18-2026

SHEET TITLE: FOUNDATION PLAN

DRAWING NUMBER: S-102



DAMMON ENGINEERING, INC.

554 Old Spanish Trail Slidell, LA 70458 (485) 619-5832

Chief Engineer: Brian Mistich, PE
 554 Old Spanish Trail
 Slidell, LA 70458

www.dammonengineering.com
 info@dammonengineering.com
 PHONE: 985-649-5832