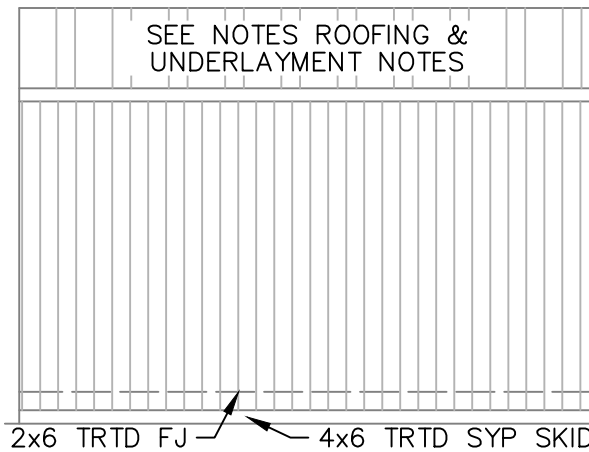
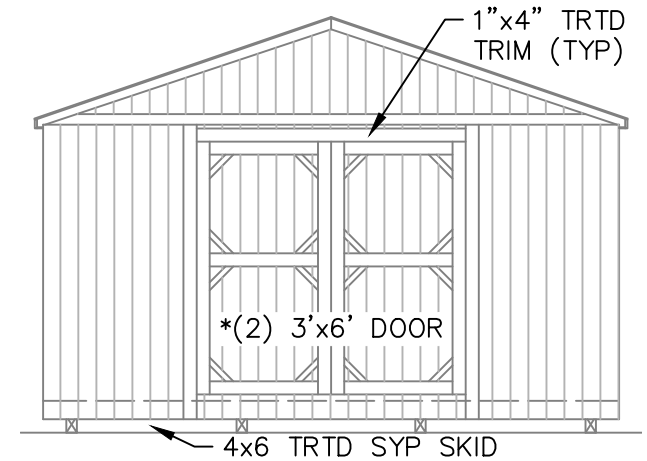


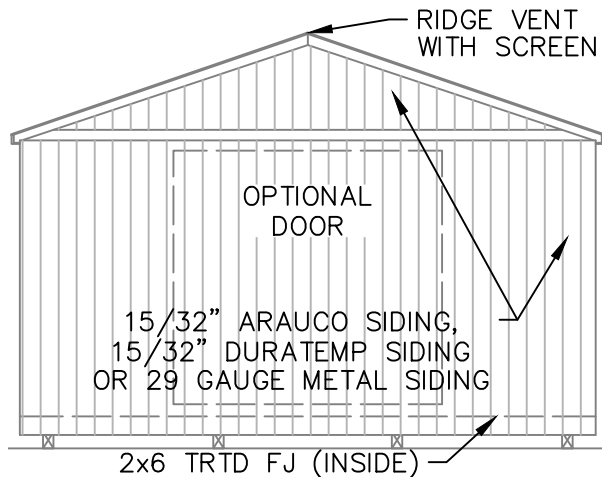
REAR ELEVATION WITHOUT PORCH



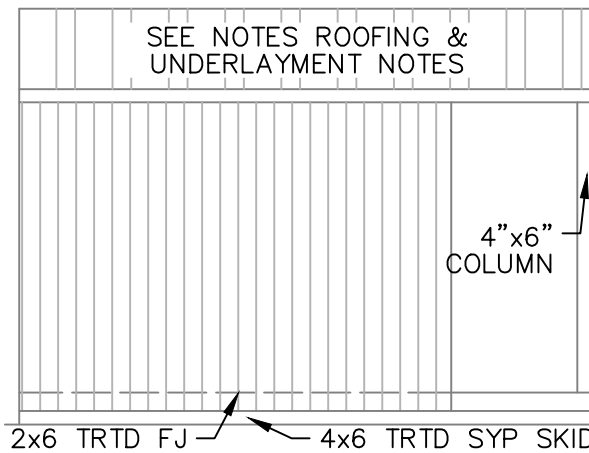
SIDE ELEVATION WITHOUT PORCH



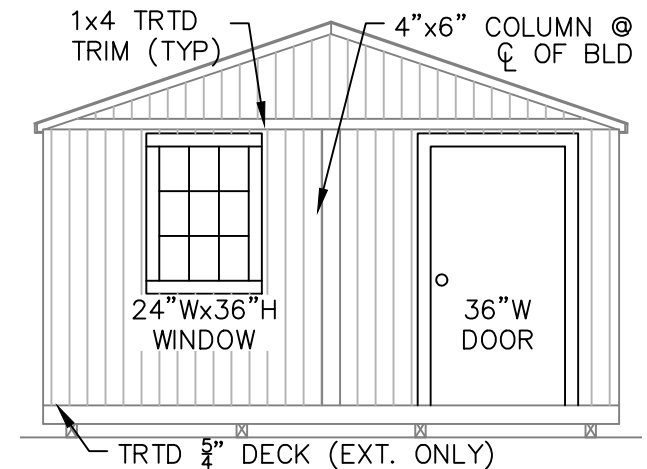
FRONT ELEVATION WITHOUT PORCH



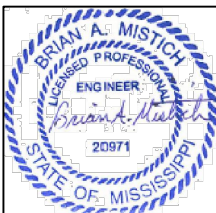
REAR ELEVATION WITH PORCH



SIDE ELEVATION WITH PORCH



FRONT ELEVATION WITH PORCH



DANCO BUILDINGS, LLC.

PHONE: 601-551-0469 EMAIL: CHRISDANIELST6@GMAIL.COM

DRAWN BY: CKD SCALE: 3/16" = 1'-0" DATE: 02-18-2026

SHEET TITLE: ELEVATION PLAN

DRAWING NUMBER: S-107



DAMMON ENGINEERING, INC.

554 Old Spanish Trail Slidell, LA 70458 (485) 619-5832

Chief Engineer: Brian Mistich, PE
554 Old Spanish Trail
Slidell, LA 70458

www.dammonengineering.com
info@dammonengineering.com
PHONE: 985-649-5832