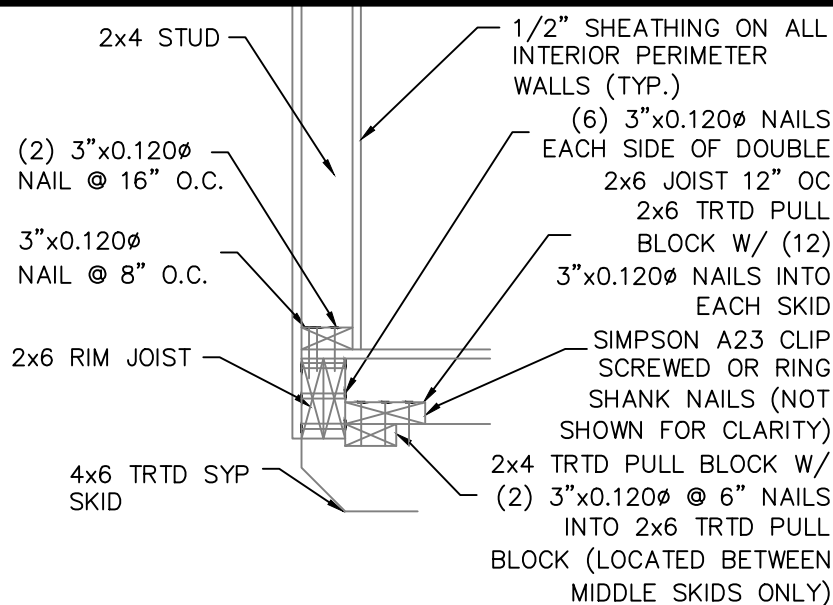
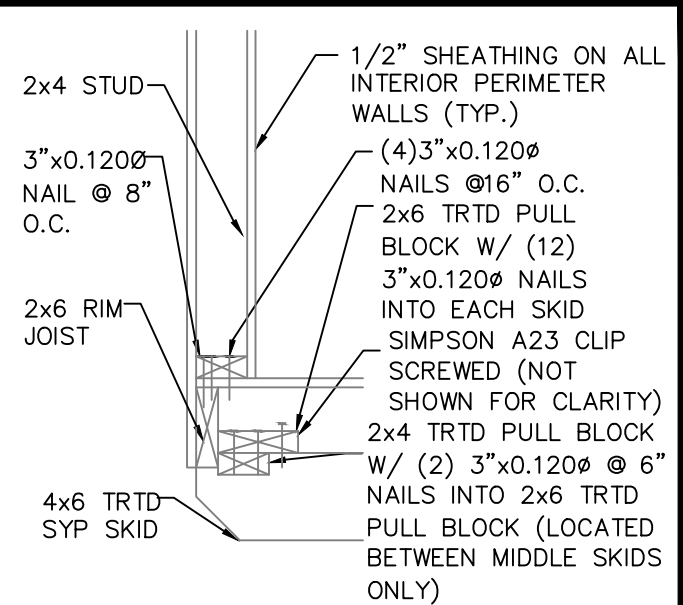


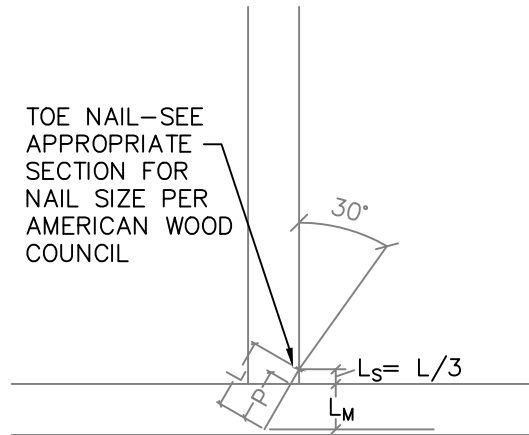
1-INNER & OUTER SKID
DETAIL @ EVERY JOIST



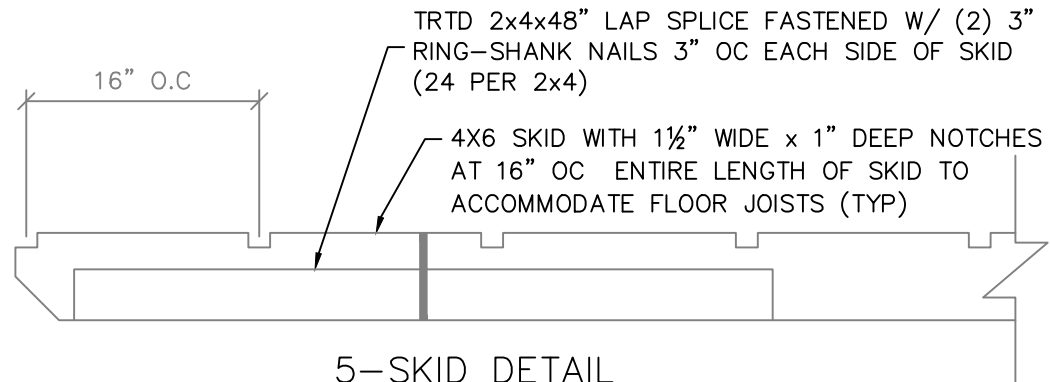
2-ENTRY DOOR ENDWALL JOIST DETAIL



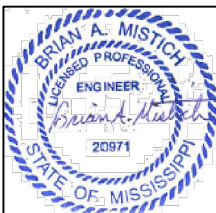
3-REAR ENDWALL JOIST DETAIL



4-TOE-NAIL DETAIL



5-SKID DETAIL



DANCO BUILDINGS, LLC.

PHONE: 601-551-0469 EMAIL: CHRISDANIELST6@GMAIL.COM

DRAWN BY: CKD SCALE: NTS DATE: 02-18-2026

SHEET TITLE: BUILD DETAILS 2

DRAWING NUMBER: S-110



DAMMON
ENGINEERING, INC.

554 Old Spanish Trail Slidell, LA 70458 (485) 619-5832

Chief Engineer: Brian Mistich, PE
554 Old Spanish Trail
Slidell, LA 70458

www.dammonengineering.com
info@dammonengineering.com
PHONE: 985-649-5832