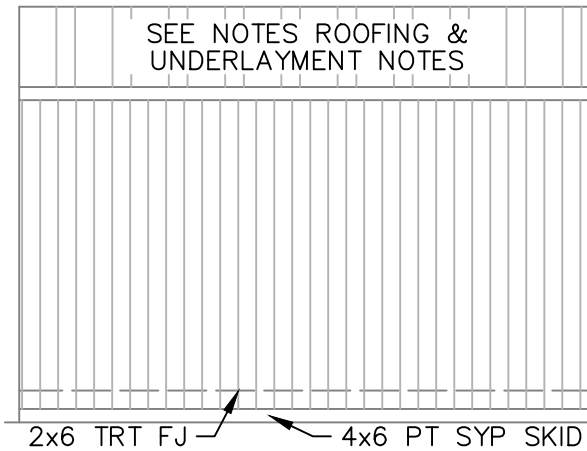
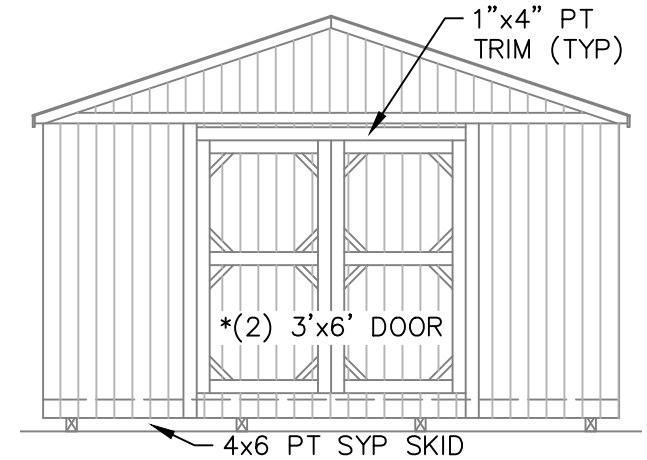


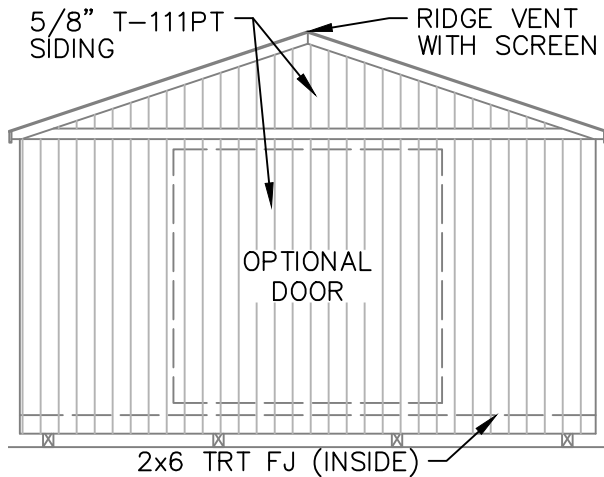
REAR ELEVATION WITHOUT PORCH



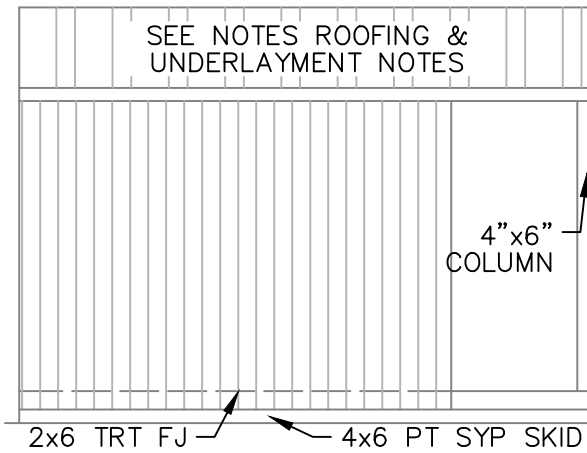
SIDE ELEVATION WITHOUT PORCH



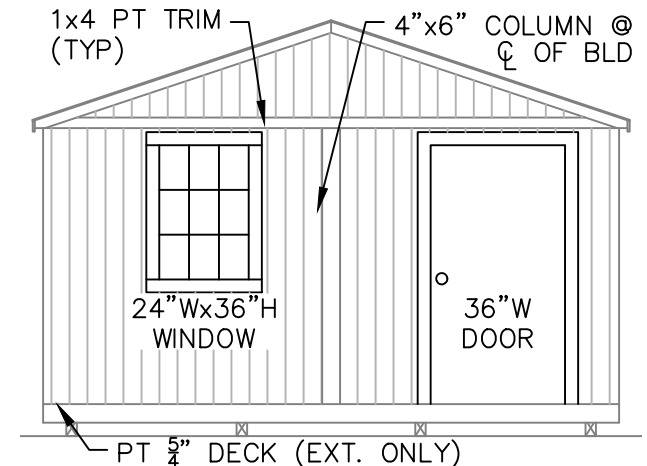
FRONT ELEVATION WITHOUT PORCH



REAR ELEVATION WITH PORCH



SIDE ELEVATION WITH PORCH



FRONT ELEVATION WITH PORCH



**APEX BUILDERS AND ASSOCIATES**

504-858-6544

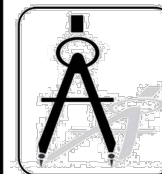
DRAWN BY: TNT    SCALE: 1/4" = 1'-0"    DATE: 01-31-2022

SHEET TITLE: ELEVATION PLAN

DRAWING NUMBER:

**S-107**

UTILITY-LA-V=150MPH-IBC2015



**DAMMON ENGINEERING, INC.**

554 Old Spanish Trail Slidell, LA 70458 (985) 649-5832

Chief Engineer: Brian Mistich, PE  
554 Old Spanish Trail  
Slidell, LA 70458

www.dammonengineering.com  
info@dammonengineering.com  
PHONE: 985-649-5832