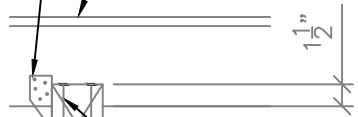


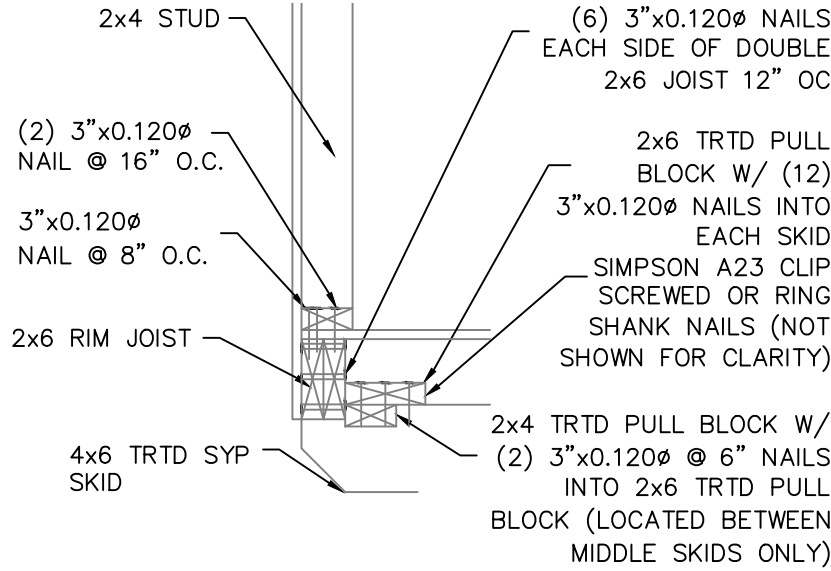
SIMPSON H2.5A W/ (5) 0.131x1-1/2" NAILS IN EACH END OF CLIP ON OUTSIDE SKIDS ONLY

5/8" TRTD DECKING

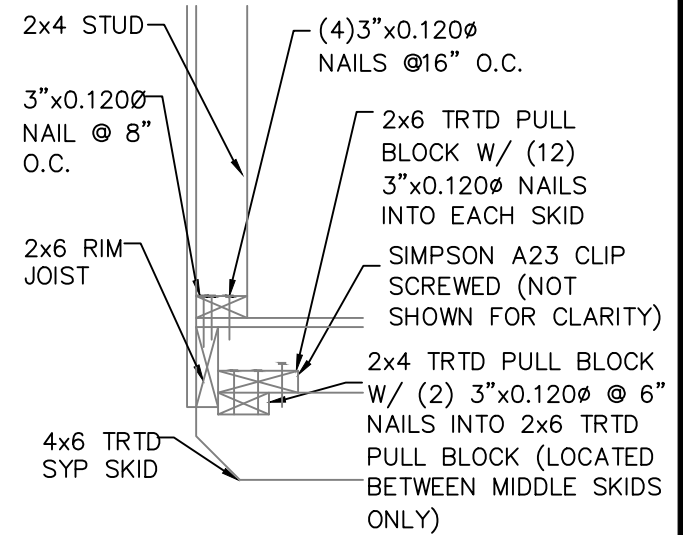


(4) 3"x0.120ø NAILS TOE-NAILED 2x6 JOIST TO 4x6 SKID

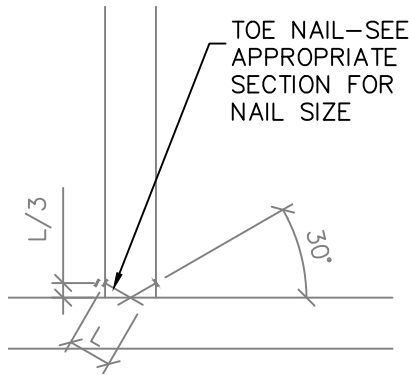
1-INNER & OUTER SKID
DETAIL @ EVERY JOIST



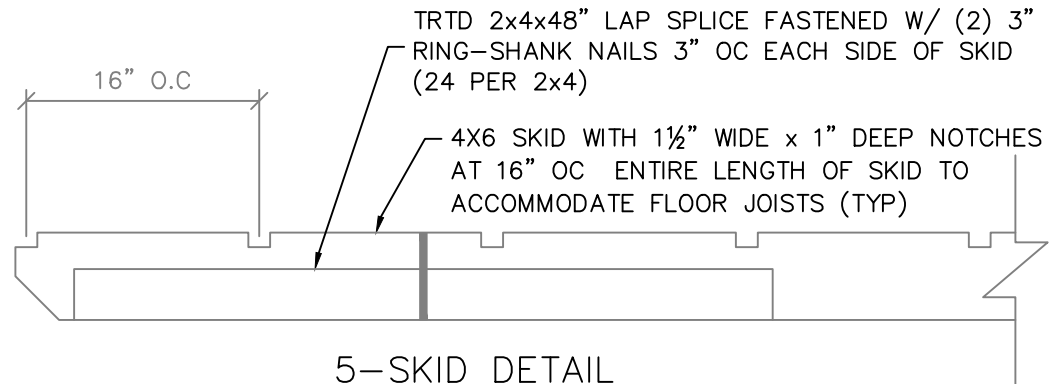
2-ENTRY DOOR ENDWALL JOIST DETAIL



3-REAR ENDWALL JOIST DETAIL



4-TOE-NAIL DETAIL



5-SKID DETAIL



APEX BUILDERS AND ASSOCIATES

504-858-6544

DRAWN BY: TNT

SCALE: NTS

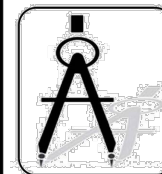
DATE: 02-02-2022

SHEET TITLE: BUILD DETAILS 2

DRAWING NUMBER:

S-110

UTILITY-LA-V=150MPH-IBC2015



DAMMON ENGINEERING, INC.

554 Old Spanish Trail Slidell, LA 70458 (985) 649-5832

Chief Engineer: Brian Mistich, PE
554 Old Spanish Trail
Slidell, LA 70458

www.dammonengineering.com
info@dammonengineering.com
PHONE: 985-649-5832