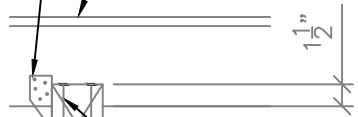
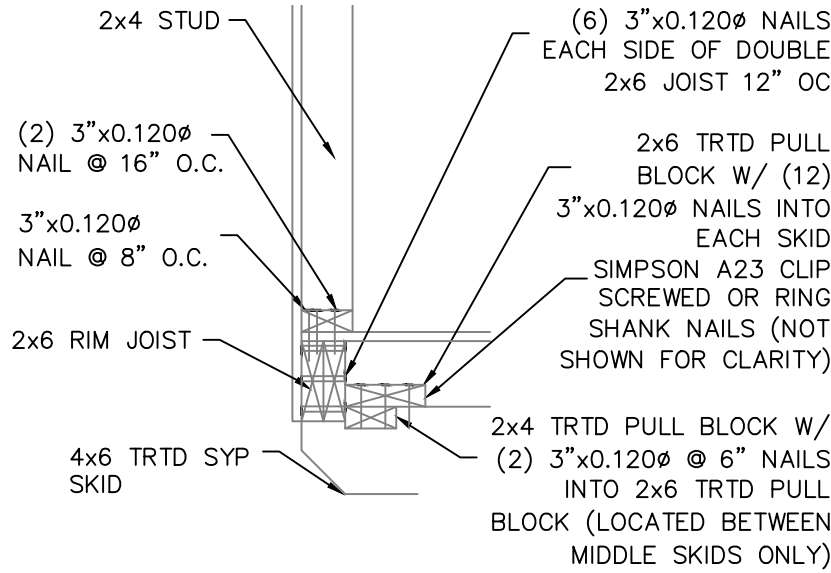


SIMPSON H2.5A W/ (5) 0.131x1-1/2" NAILS IN EACH END OF CLIP ON OUTSIDE SKIDS ONLY

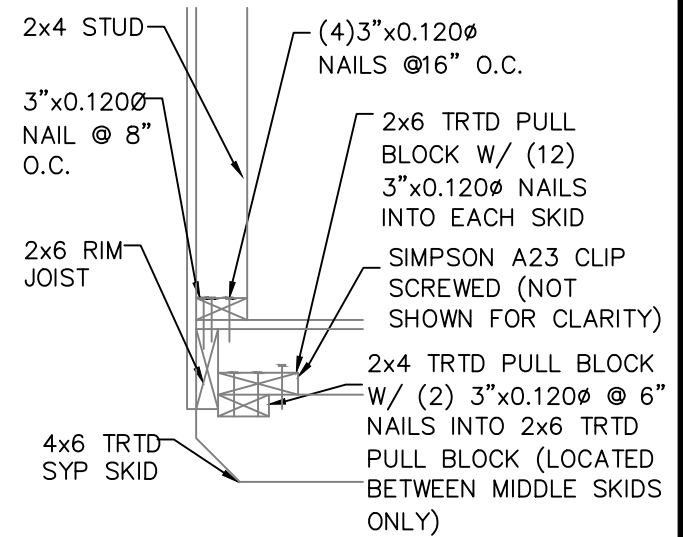
5/8" TRTD DECKING



(4) 3"x0.120φ NAILS TOE-NAILED 2x6 JOIST TO 4x6 SKID

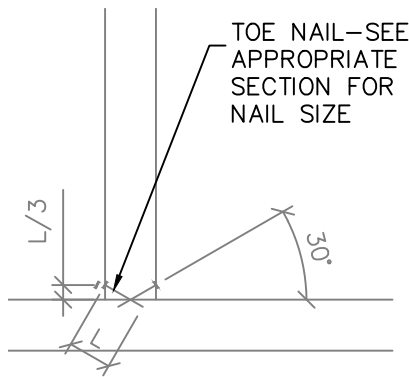


2-ENTRY DOOR ENDWALL JOIST DETAIL

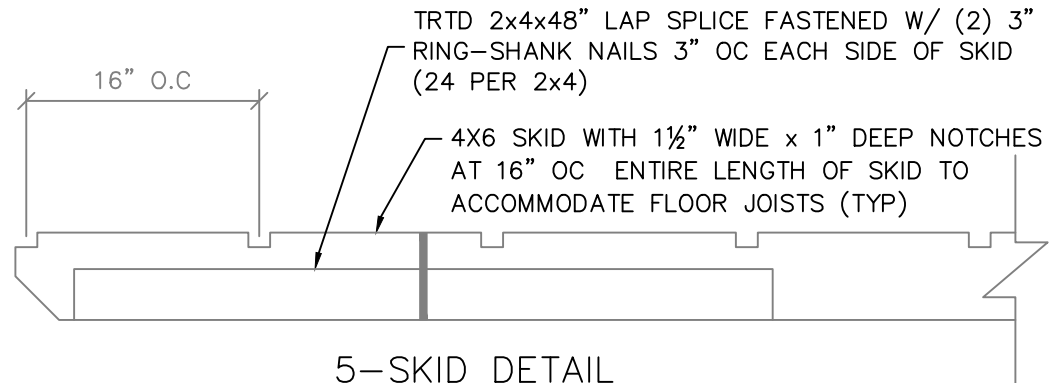


3-REAR ENDWALL JOIST DETAIL

1-INNER & OUTER SKID
DETAIL @ EVERY JOIST



4-TOE-NAIL DETAIL



5-SKID DETAIL



APEX BUILDERS AND ASSOCIATES

504-858-6544

DRAWN BY: TNT SCALE: NTS DATE: 03-07-2022

SHEET TITLE: BUILD DETAILS 2

DRAWING NUMBER:

S-110



DAMMON ENGINEERING, INC.

554 Old Spanish Trail Slidell, LA 70458 (985) 649-5832

Chief Engineer: Brian Mistich, PE
554 Old Spanish Trail
Slidell, LA 70458

www.dammonengineering.com
info@dammonengineering.com
PHONE: 985-649-5832