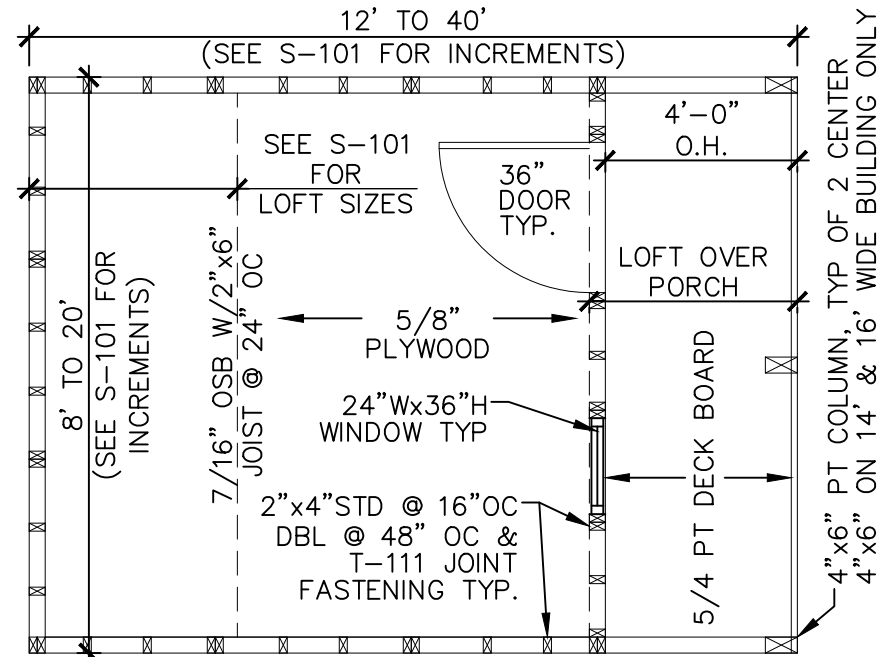


FLOOR PLAN



FLOOR PLAN W/ PORCH

GENERAL NOTES

1. 2"x4" UPPER TOP PLATE W/ (2) 3x0.120Ø NAILS @ 16" O.C. TO 2"x4" LOWER TOP PLATE
2. DOOR IS CUSTOM BUILD. 6' WIDE ROLL-UP DOOR REPLACES (2) 3'x6' DOOR

COLUMN NOTES

1. USE METAL COLUMN CLIPS TOP AND BOTTOM TYPICAL
2. USE (4) #8x3" WOOD SCREWS EACH SIDE OF THE COLUMN TOP AND BOTTOM TO INSTALL THE COLUMN CLIPS
3. GLUE TOP PLATES TOGETHER WITH LIQUID NAIL (LN-903) CONTINUOUS ACROSS OVERHANG AND 36" MINIMUM INTO ENCLOSED SPACE
4. NAIL TOP PLATES TOGETHER WHERE GLUED WITH 2 ROWS OF 8d NAILS AT 6" OC
5. PROVIDE A 4x6 PT COLUMN SUPPORT FLUSH WITH THE TOP OF FLOOR JOISTS AND SPANNING THE ENTIRE FIRST FLOOR JOIST SPAN (NAIL WITH 8d NAILS ON ENDS AND ALONG THE SIDE)

FLOOR PLAN NOTES

1. INSTALL 5/8" FLOOR SHEATHING WITH LONG DIMENSION SPANNING JOISTS, STAGGER JOINTS.
2. FASTEN 5/8" FLOOR SHEATHING WITH 2" RING-SHANK NAILS @ 6" O.C.



**DANIEL'S PORTABLE BUILDINGS, LLC.**

601-551-0469

DRAWN BY: TNT    SCALE: 1/4" = 1'-0"    DATE: 04-13-2022

SHEET TITLE: FLOOR PLAN PLAN

DRAWING NUMBER: **S-104**



**DAMMON ENGINEERING, INC.**

554 Old Spanish Trail Slidell, LA 70458 (985) 649-5832

Chief Engineer: Brian Mistich, PE  
554 Old Spanish Trail  
Slidell, LA 70458

www.dammonengineering.com  
info@dammonengineering.com  
PHONE: 985-649-5832