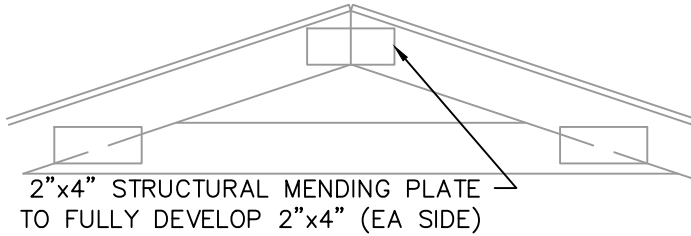
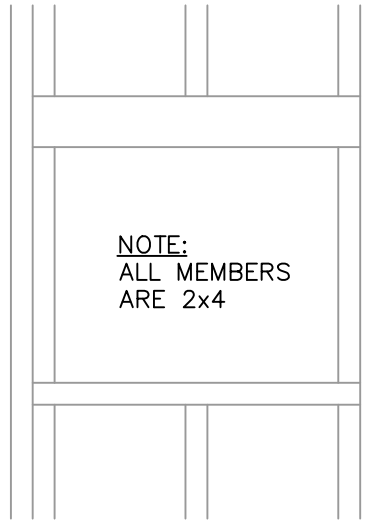


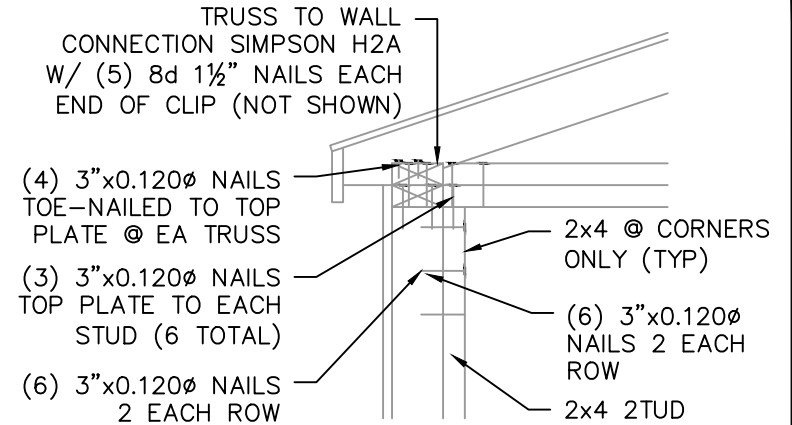
1-CORNER DETAIL



2-TRUSS SPLICE DETAIL

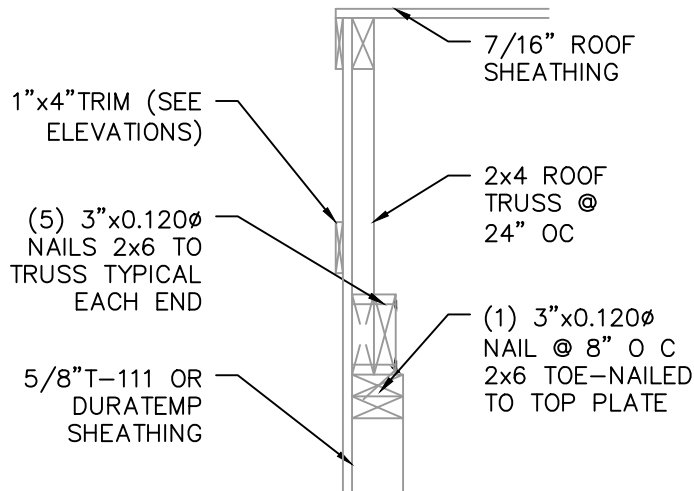


3-TYP WINDOW FRAMING

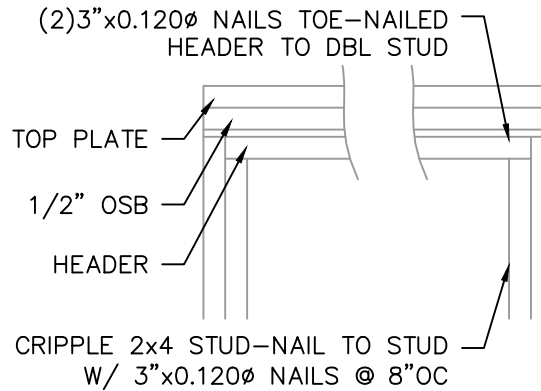


NOTE: INSTALL H2 5A PER MANUFACTURES RECOMMENDATIONS

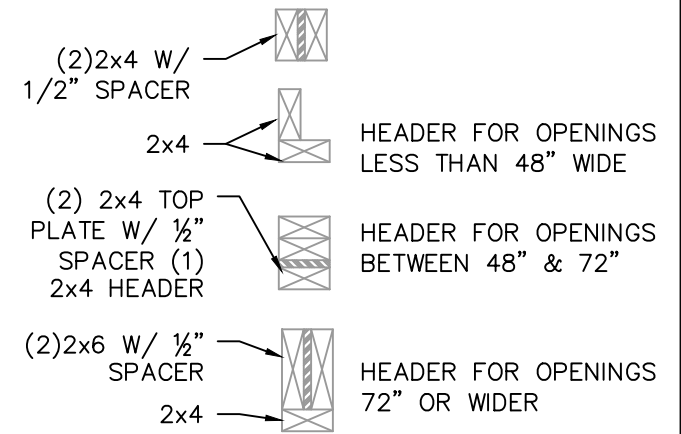
4-CORNER & WALL DETAIL



5-END WALL DETAIL



6-TYP DOOR FRAMING



NOTE: FOR 12' HIGH OR GREATER SIDEWALLS, A 48" MAX OPENING IS ALLOWED



S.O.S. PORTABLE BUILDINGS

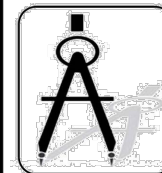
890, I-10 SERVICE RD, SLIDELL, LA 70461

BUILDING SIZE:	30X50	DATE:	01-04-2022
DRAWN BY:	TT	SCALE:	NTS

DRAWING NUMBER:

S-108

UTILITY-LA-V=150MPH-IBC2015



DAMMON ENGINEERING, INC.

554 Old Spanish Trail Slidell, LA 70458 (985) 649-5832

Chief Engineer: Brian Mistich, PE
554 Old Spanish Trail
Slidell, LA 70458

www.dammonengineering.com
info@dammonengineering.com
PHONE: 985-649-5832