

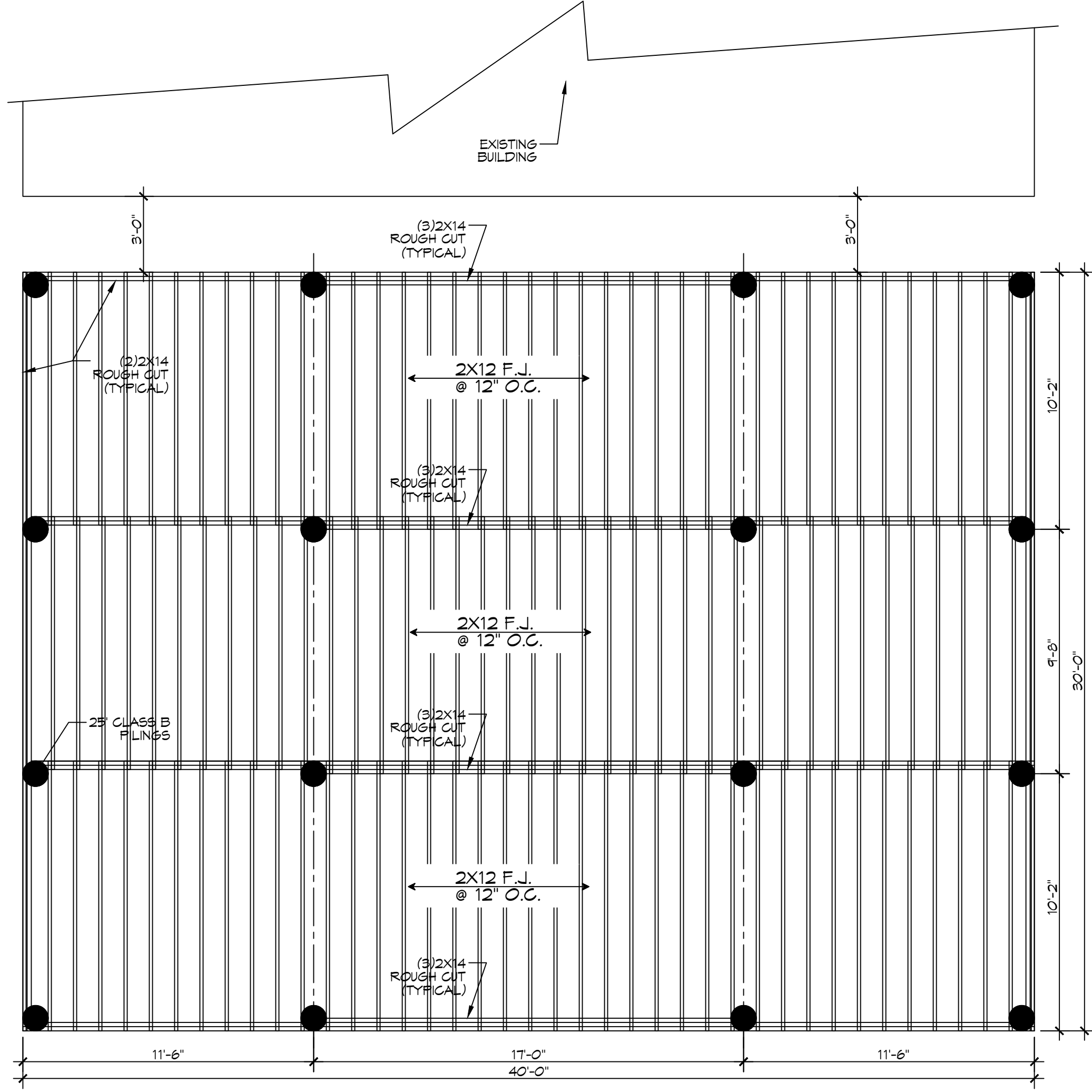
D:\Projects\17 - Foggy Waters Marina\17 - Foggy Waters Marina\17 - Foggy Waters Marina - Deck\17 - Foggy Waters Marina - Deck - Framing.dwg, October 23, 2025, 7:40:05 AM

PILING COUNT
16 PILING COUNT

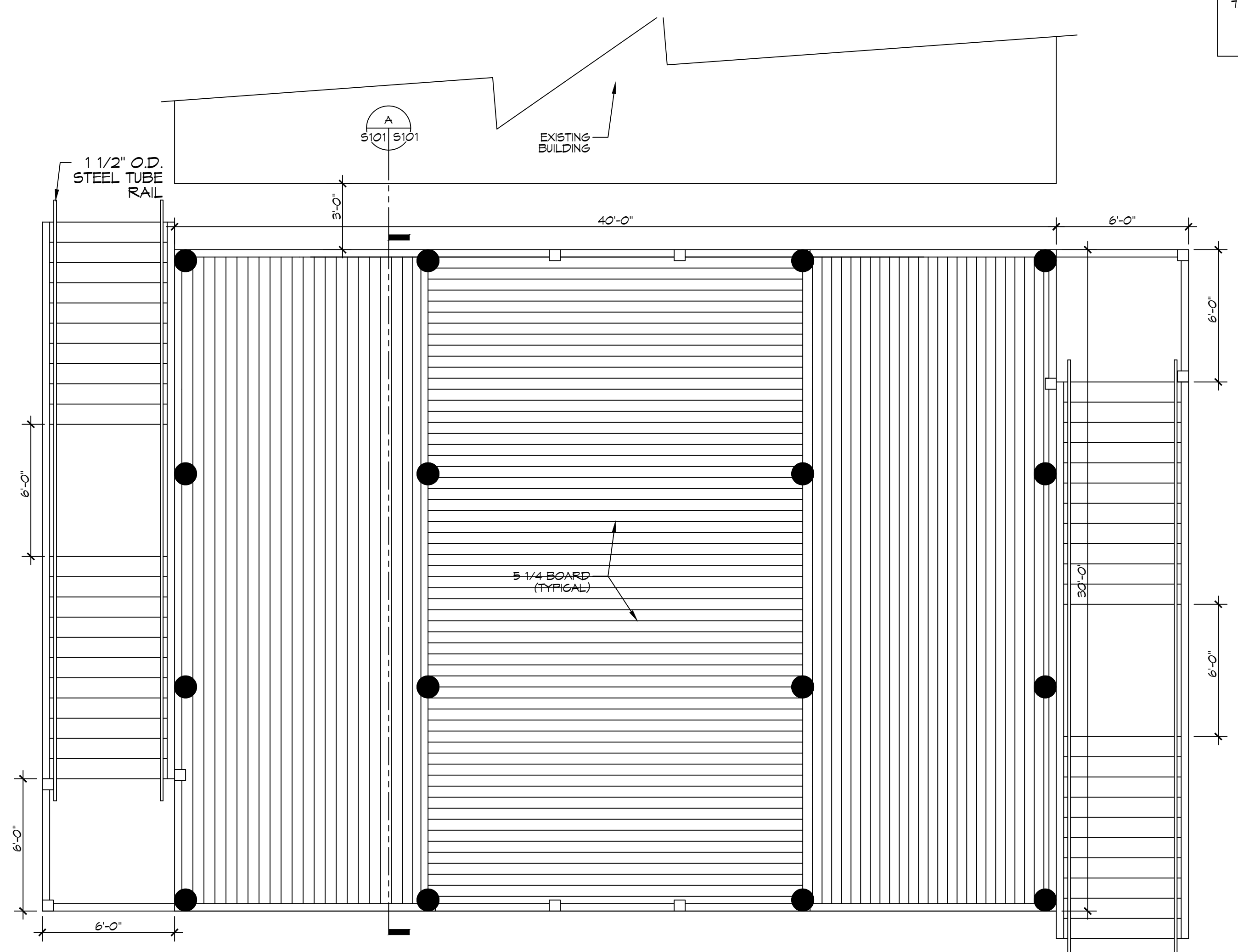
GENERAL NOTES
1. ALL LUMBER SHALL BE PRESSURE TREATED WITH A RETENTION OF .4 PER C.F.
2. ALL FASTENERS SHALL BE HOT DIPPED GALVANIZED (HDG) PER ASTM A153.
3. ALL CONNECTORS SHALL BE HDG PER ASTM A653, CLASS G105 SHEET WITH 1.05 OZ/SF ZINC COATING.

PILING NOTES
1. PILES ARE TO BE CLASS B PRESSURE TREATED 40 FT. IN LENGTH WITH A 8 INCH TIP AND 12" BUTT.
2. ALL PILES SHALL BE DRIVEN TO REFUSAL.
3. CONTRACTOR SHALL DRIVE TEST PILE.
4. NO FIELD SUPERVISION OR INSPECTION PROVIDED UNDER THIS SEAL UNLESS OTHERWISE NOTED.
5. PILE LAYOUT MAY BE MODIFIED DUE TO ACTUAL DRIVING CONDITIONS. ENGINEER TO BE NOTIFIED ON ANY MODIFICATION.
7. A PILE BLOW COUNT LOG OF ALL PILES IS TO BE SUBMITTED TO THE ENGINEER OF RECORD. FAILURE TO SUBMIT SAID LOG WILL RELEASE THE ENGINEER OF ALL RESPONSIBILITY AFTER 5 DAYS OF INSTALLING.

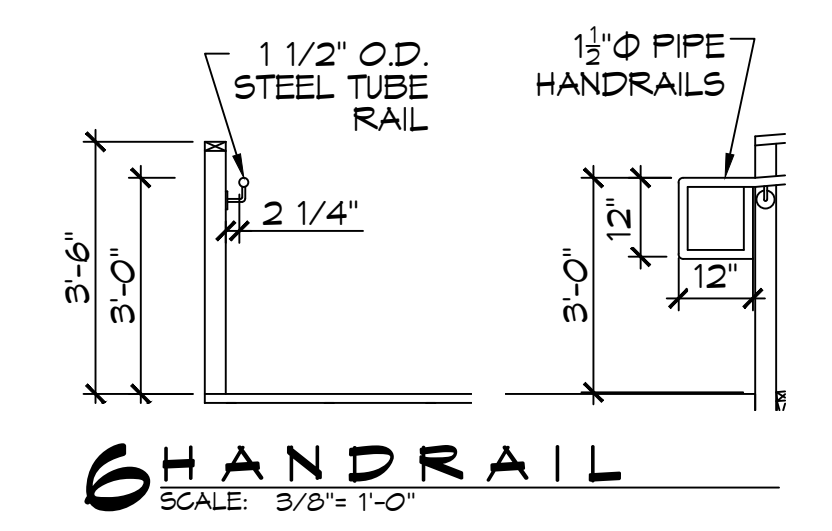
DAMMON ENGINEERING, INC.
 LOUISIANA & MISSISSIPPI
 Chief Engineer: Brian Mistich, PE
 554 Old Spanish Trail
 Slidell, LA 70488
 www.dammonengineering.com
 info@dammonengineering.com
 PH: 985.649.5832



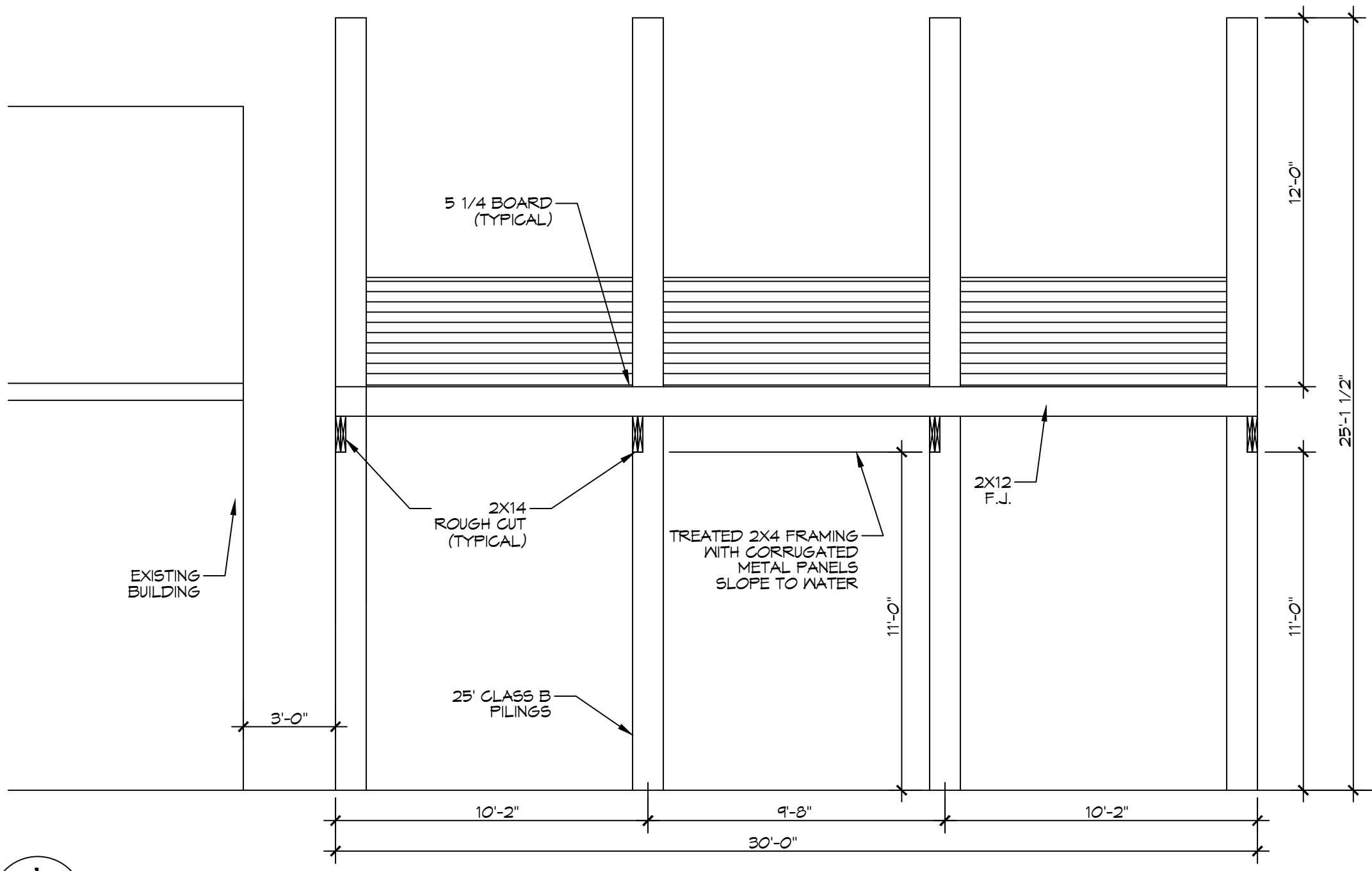
4 PILING AND FRAMING PLAN
 SCALE: 1/4" = 1'-0"
 FRAMING



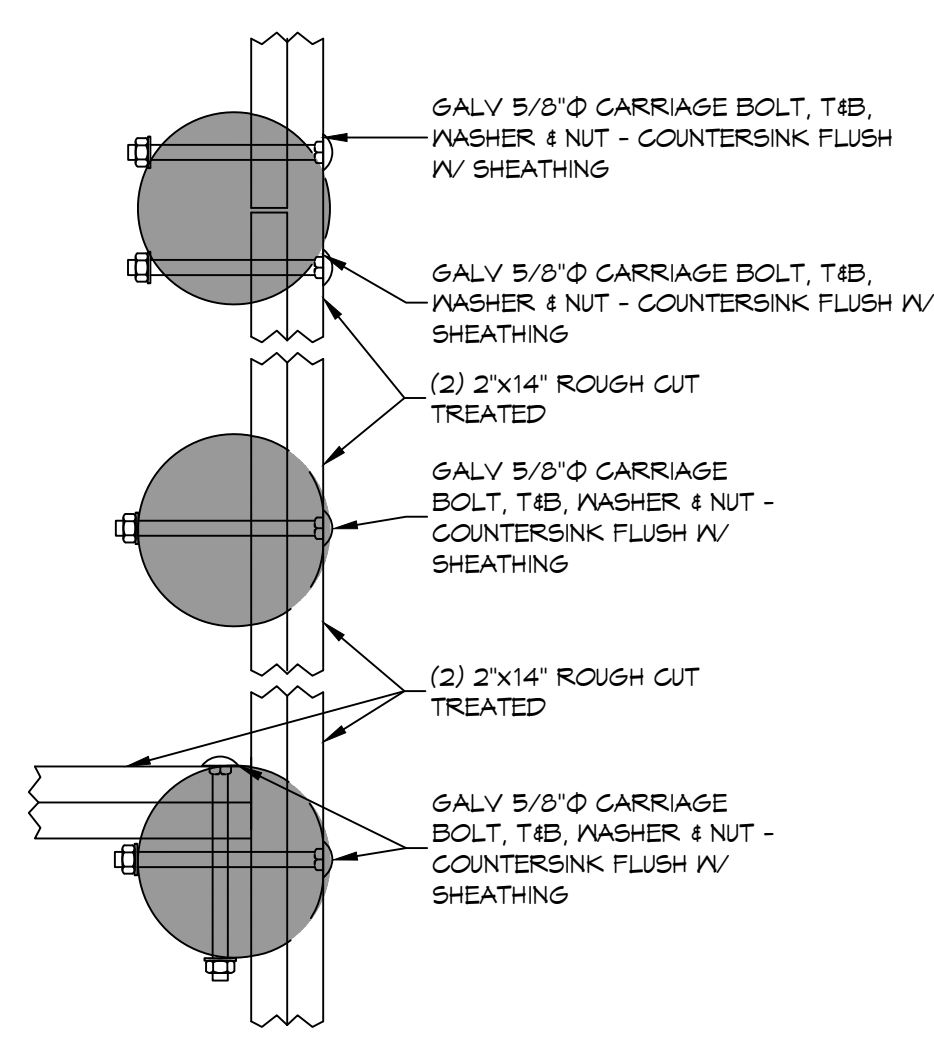
5 OBSERVATION DECK PLAN VIEW
 SCALE: 1/4" = 1'-0"
 FRAMING



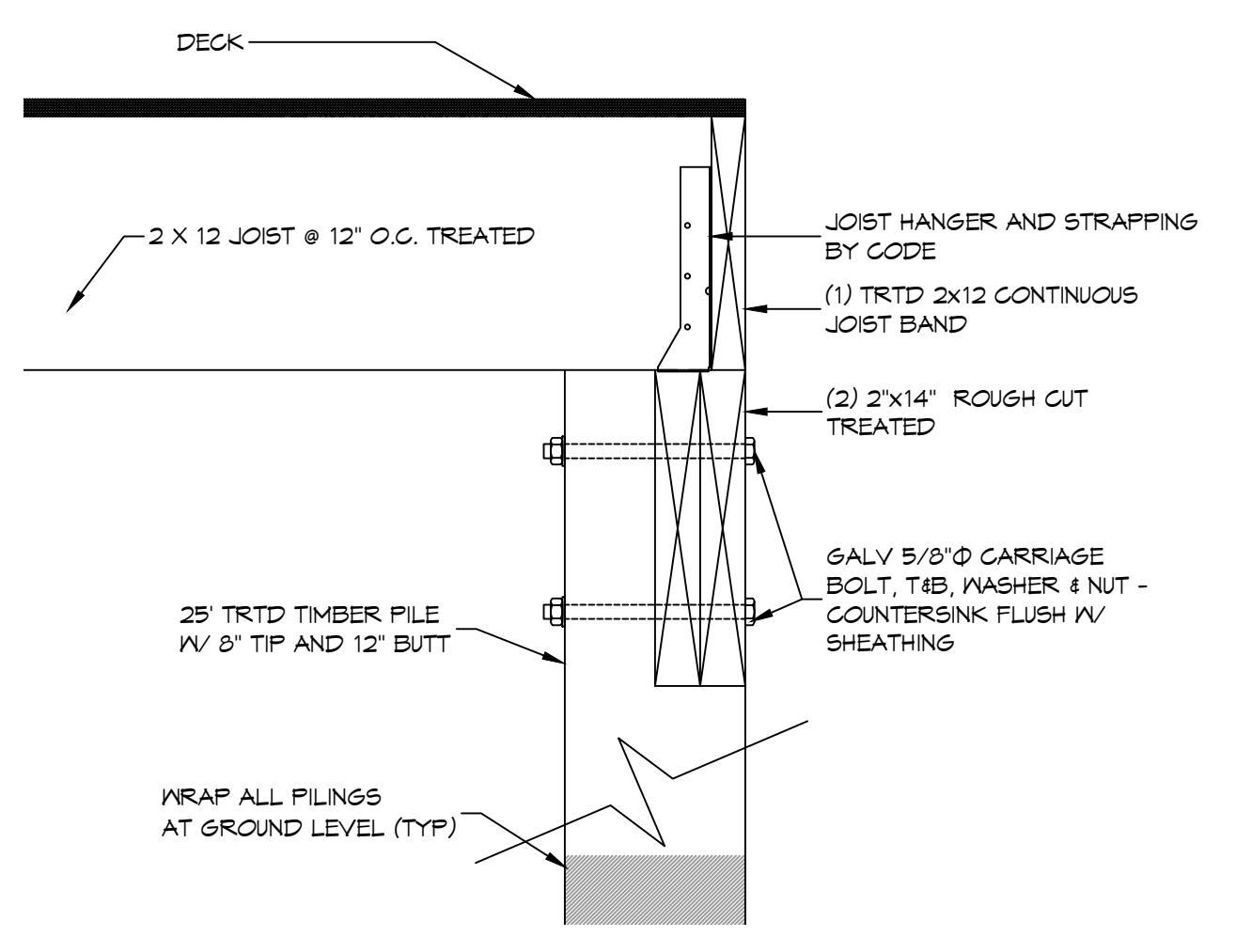
6 HANDRAIL
 SCALE: 3/8" = 1'-0"



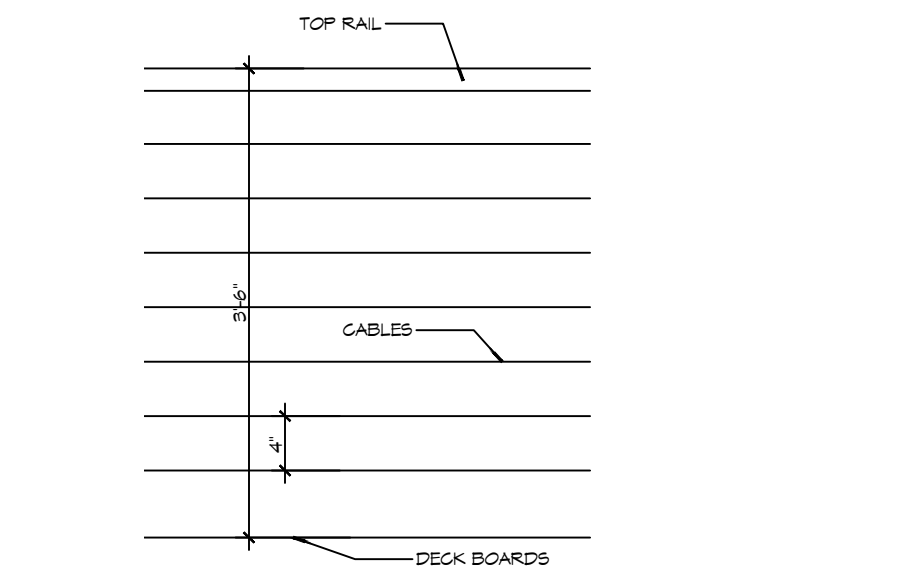
A FRAMING SECTION
 SCALE: 1/4" = 1'-0"
 DECK



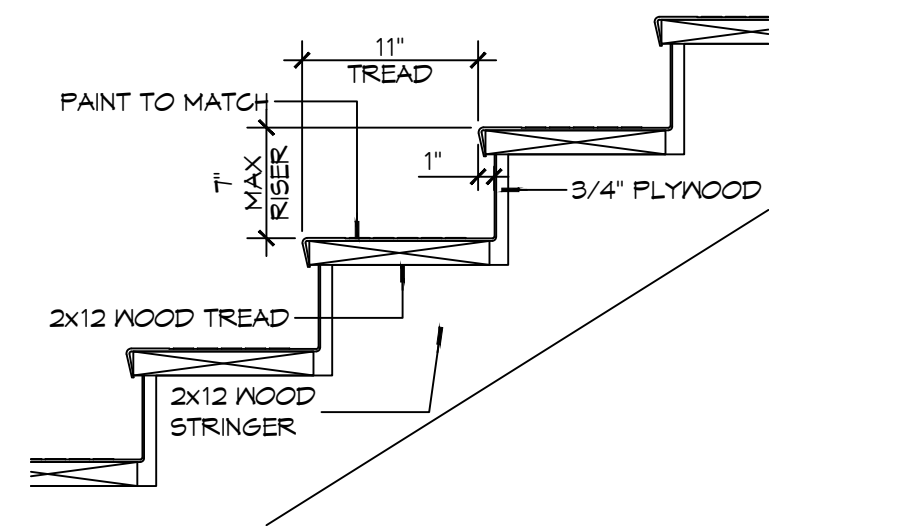
7 DETAIL PERIMETER BAND
 SCALE: 1-1/2" = 1'-0"



8 DETAIL PERIMETER JOIST BAND
 SCALE: 1-1/2" = 1'-0"

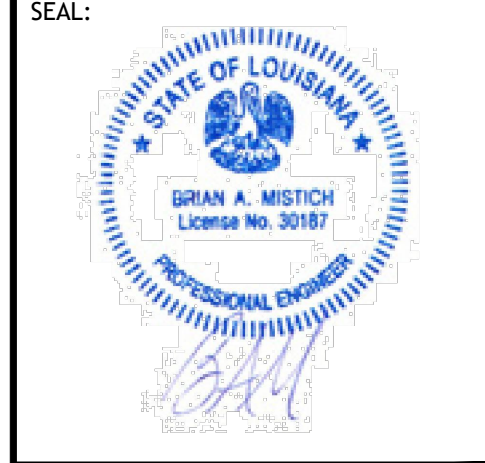


9 RAILING DETAIL
 SCALE: 1" = 1'-0"



10 STAIR DETAIL
 SCALE: 1" = 1'-0"

#	DESCRIPTION	DATE



NEW OBSERVATION DECK
FOGGY WATERS MARINA
 5604 LA-493
 BAYOU LIBERTY ROAD
 SLIDELL, LA 70460
 JOB No: 2025
 DATE: 10-22-25
 DRAWN BY: BAX
 CHECKED BY: GKD

SHEET TITLE:
OBSERVATION DECK, PILING PLAN AND FRAMING PLAN
 DRAWING NUMBER:
S101
 SHEET No: 3 of 4

