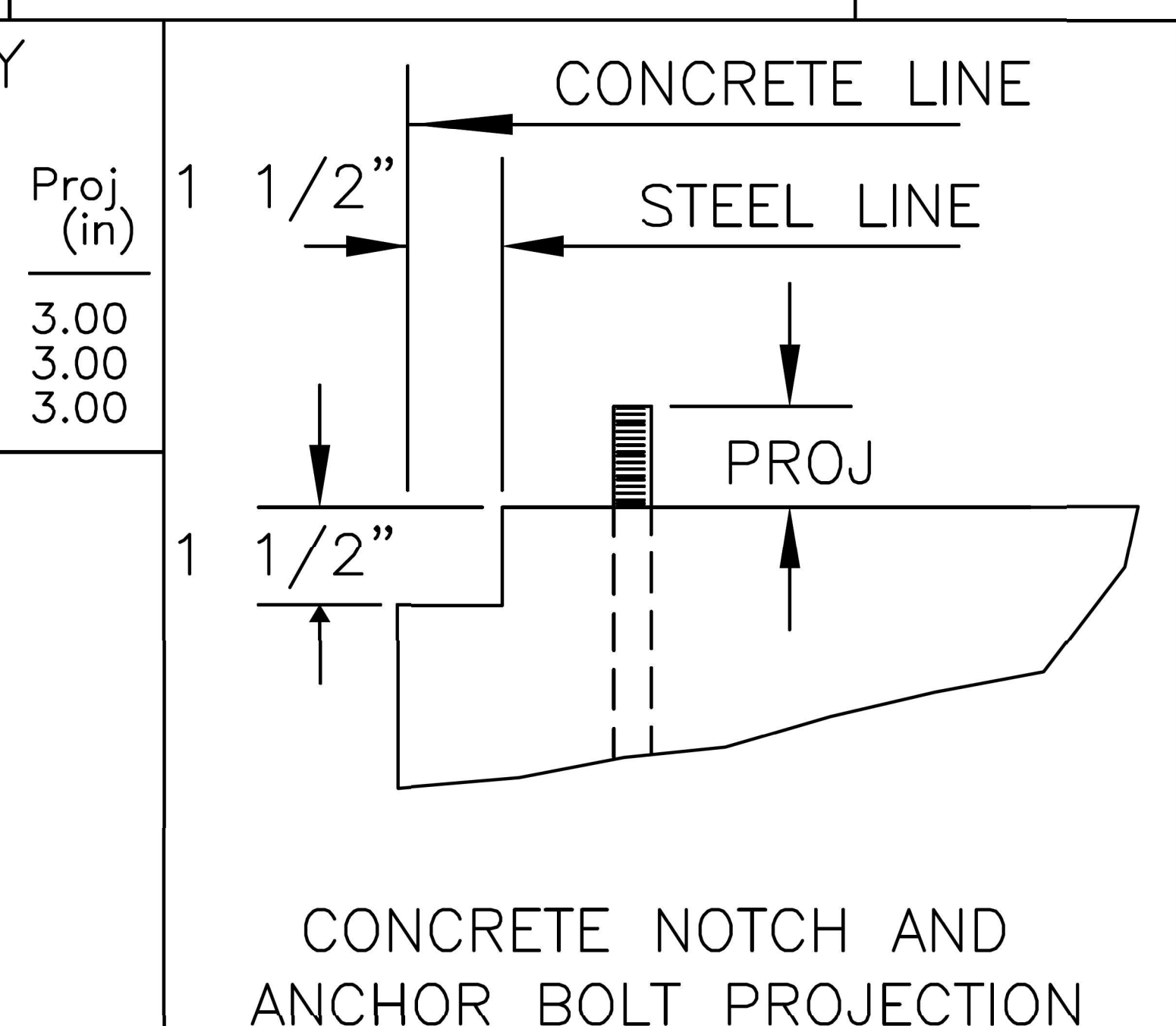


ANCHOR BOLT SUMMARY

Qty	Locate	Dia (in)	Type	Proj (in)
○ 32	Endwall	5/8"	A307	3.00
⊗ 24	Frame	3/4"	A307	3.00
⊗ 8	WindCol	3/4"	A307	3.00



GENERAL NOTES

FOUNDATION DESIGN AND CONSTRUCTION ARE NOT THE RESPONSIBILITY OF S&S STEEL BUILDINGS.

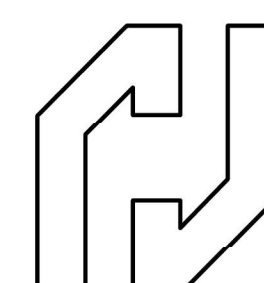
THE BUILDING REACTION DATA REPORTS THE LOADS WHICH THIS BUILDING PLACES ON THE FOUNDATION.

ANCHOR BOLTS SHALL BE ACCURATELY SET TO A TOLLERANCE OF +/- 1/8" IN BOTH ELEVATION AND LOCATION. ANCHOR BOLTS ARE TO BE TYPE A36.

COLUMN BASE PLATES ARE DESIGNED NOT TO EXCEED A BEARING PRESSURE OF 1125 POUNDS PER SQUARE INCH.

DATE	REVISION	BY

DESIGNER:
 Randall J Hebert & Assoc, Inc.
 Consulting Structural Engineering
 105 Fanny St., Lafayette, LA 70508-4115
 Ph: 337-261-1976
 e-mail: randall@rjhebertassoc.com



CLIENT:
 S & S Steel Buildings
 1038 Ti-Adam Guidry Road
 Arnaudville, LA 70512

CUSTOMER: Metal Building Supply
 JOB NAME: Jay Lavinge
 DRAWN: SRM
 DATE: 10/27/25

JOB NO.
 #14598
 DWG. NO.
 A2

