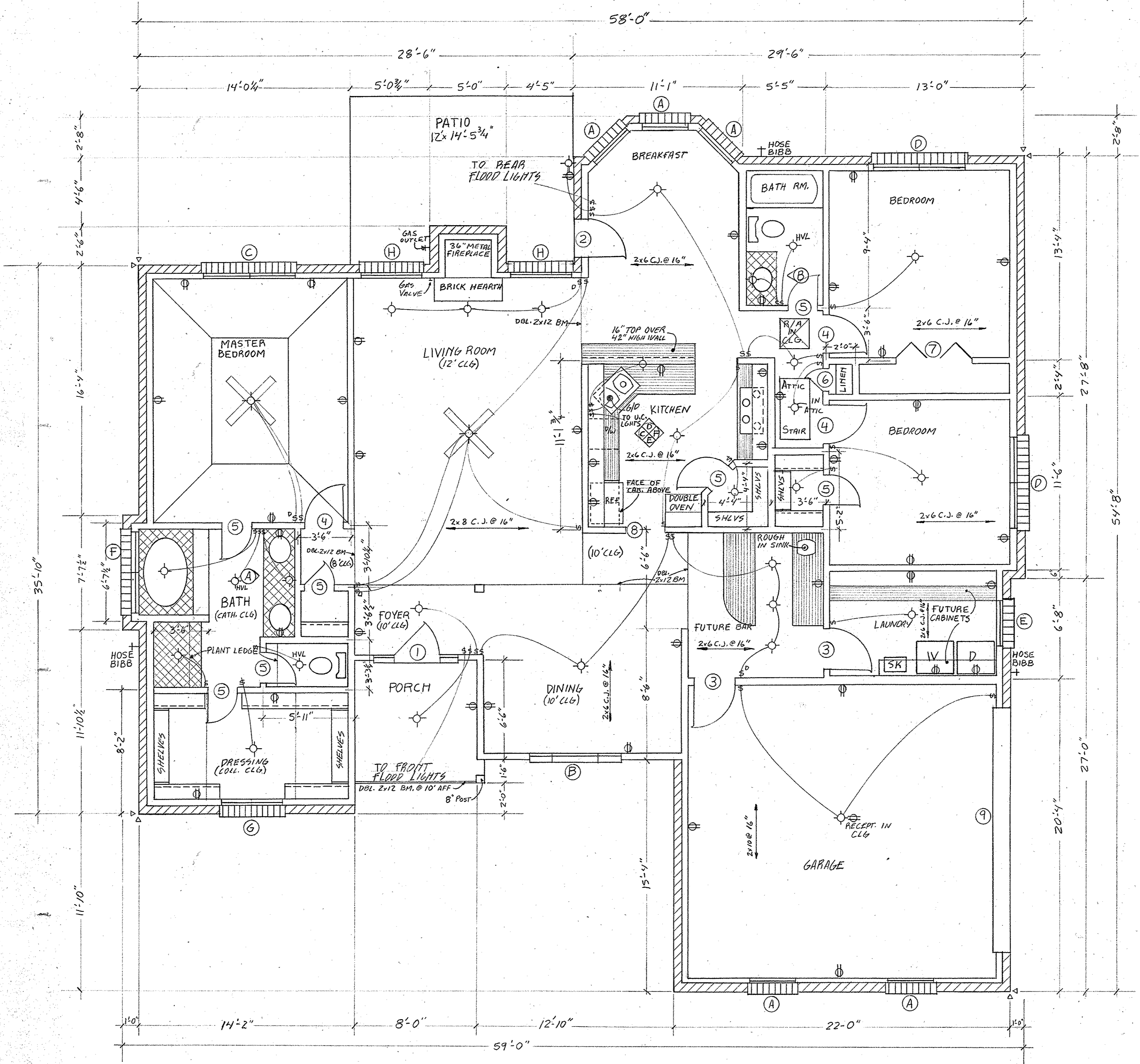
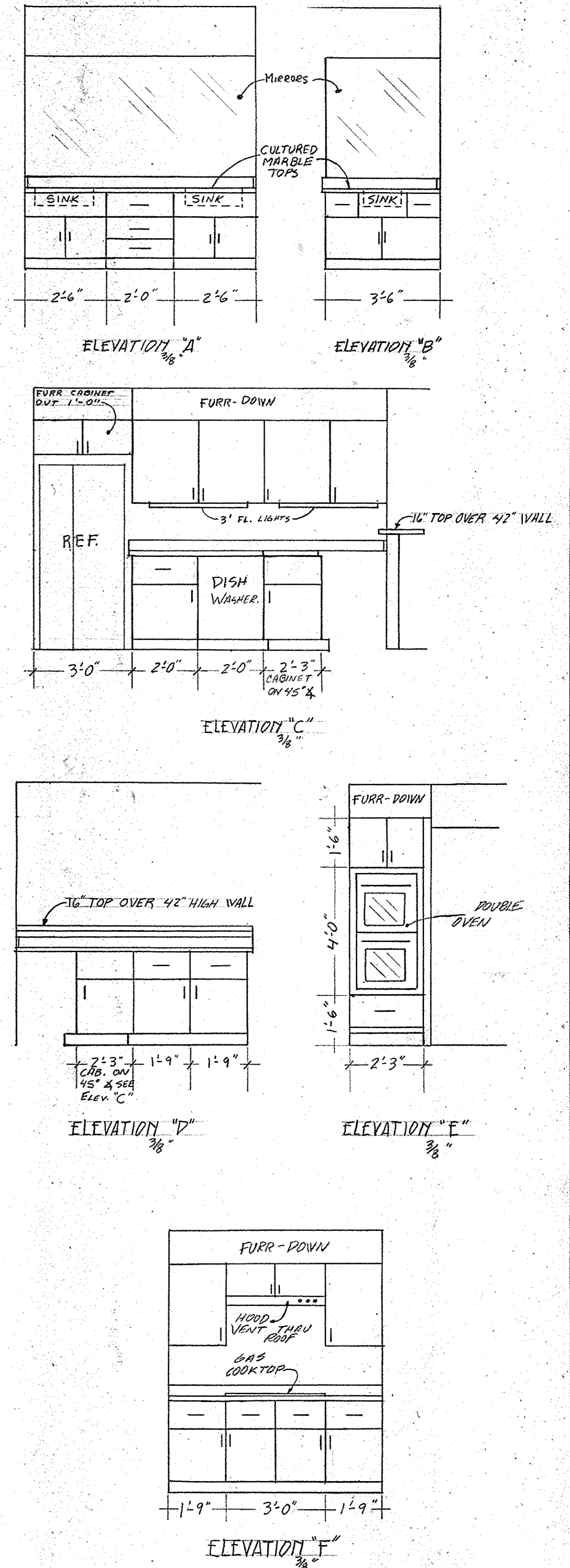


WINDOW SCHEDULE			
MARK	SIZE	LITES	DESCRIPTION
A	30 60	9/6	3 H. Glass
B	30 60	9/6	" " w/ 2-1660 Side Lites
C	2-30 60	9/6	" " " "
D	2-30 40	6/6	" " " "
E	30 40	6/6	" " " "
F	2-28 40	6/6	" " w/ Arched Head Above
G	2-20 60	6/4	" " " "
H	40 60	1/1	" " w/ 4000 Transoms

DOOR SCHEDULE			
MARK	SIZE	THICK.	DESCRIPTION
1	30 68	1 3/4"	w/ 2-16" Side Lites and 12" Trans. Br
2	28 68	1 3/4"	1 Lite over 2 Panels Est
3	28 68	1 3/4"	H.C. Wd
4	26 68	1 3/4"	" " " "
5	20 68	1 3/4"	" " " "
6	16 68	1 3/4"	" " " "
7	50 68	1 3/4"	Bifold H.C. Wd
8	26 68	1 3/4"	Lined Opening
9	160 70		Overhead Garage Door



FLOOR PLAN



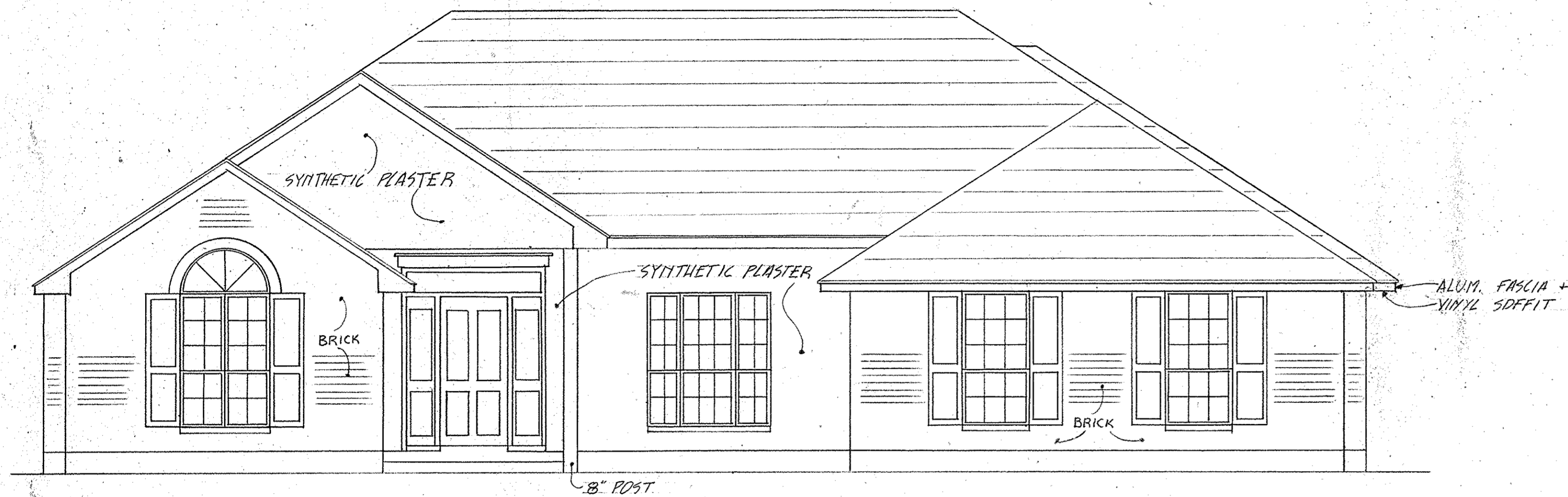
PLANS FOR: John and Susan Downes

SCALE: 1/4" = 1'-0" APPROVED BY: _____ DRAWN BY: J.P. III

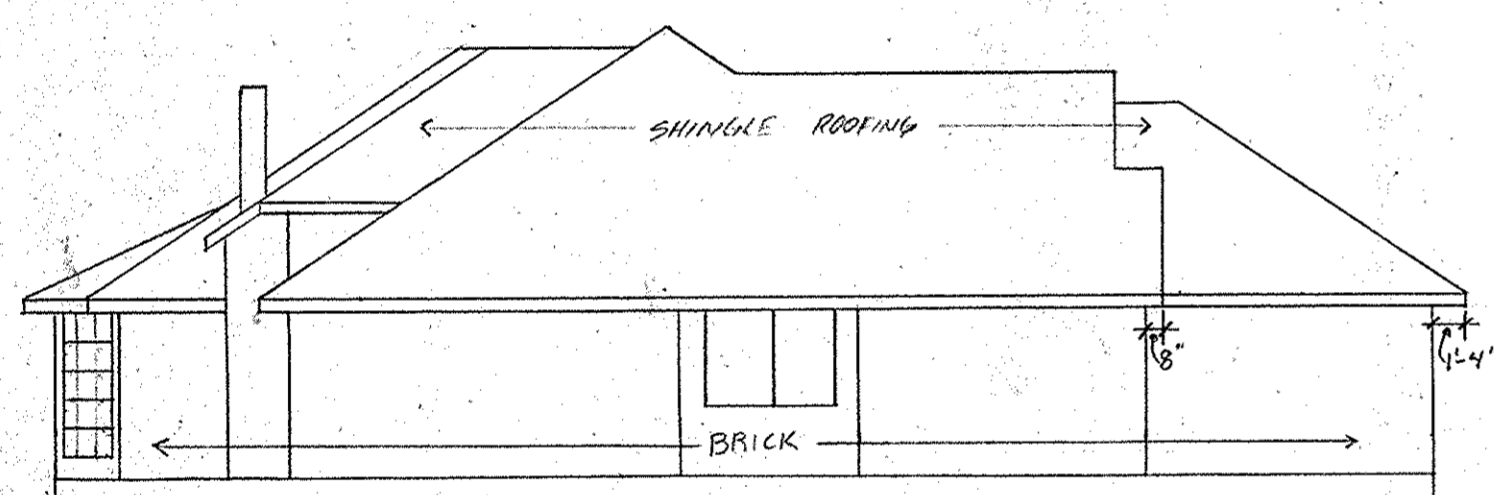
DATE: 10/5/92 REVISED: 12/6/92

FLOOR PLAN AND ELEVATIONS

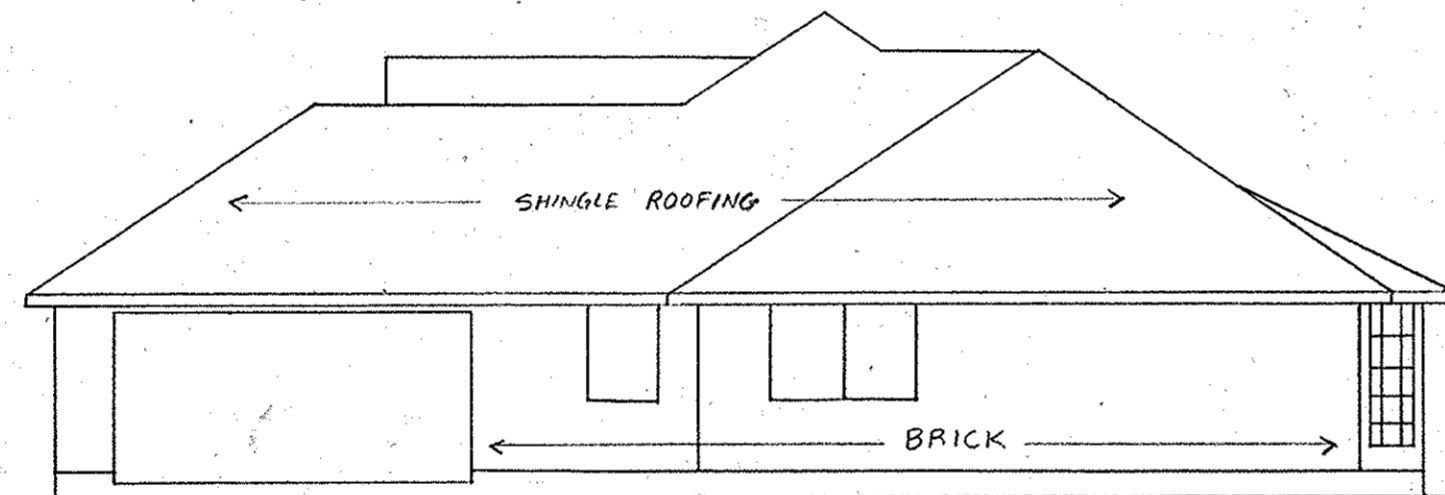
2,038 SFIA; 2,478 SFUB DRAWING NUMBER: 1/2



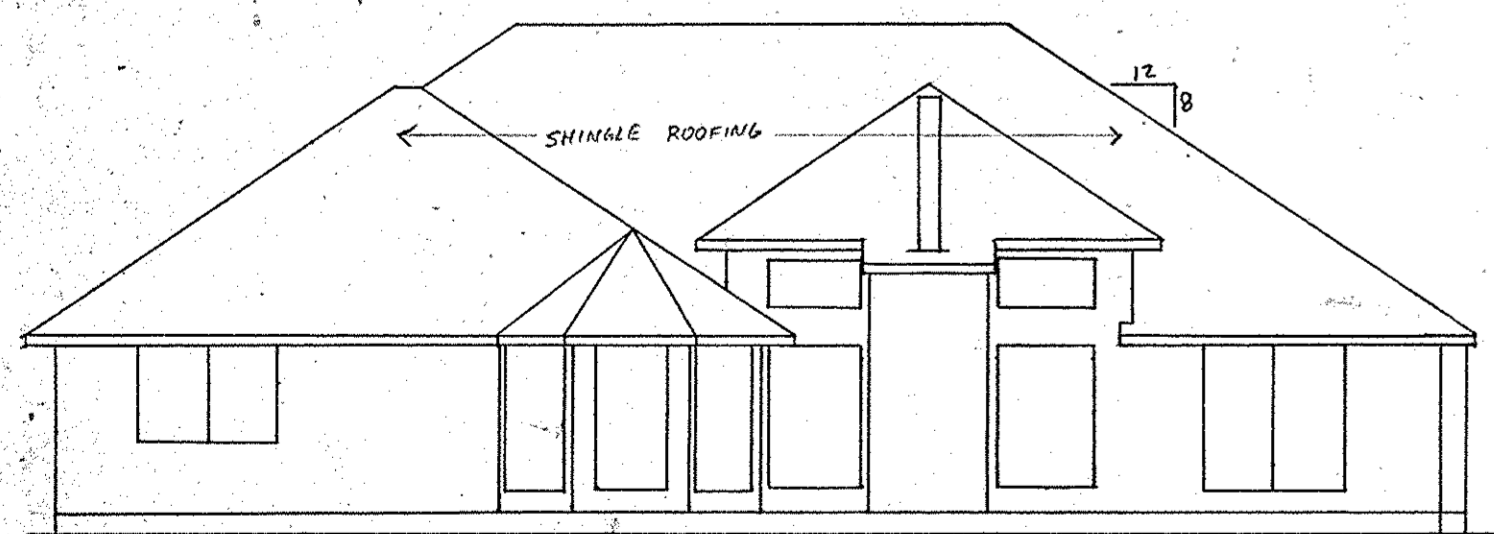
FRONT ELEVATION
1/4" = 1'-0"



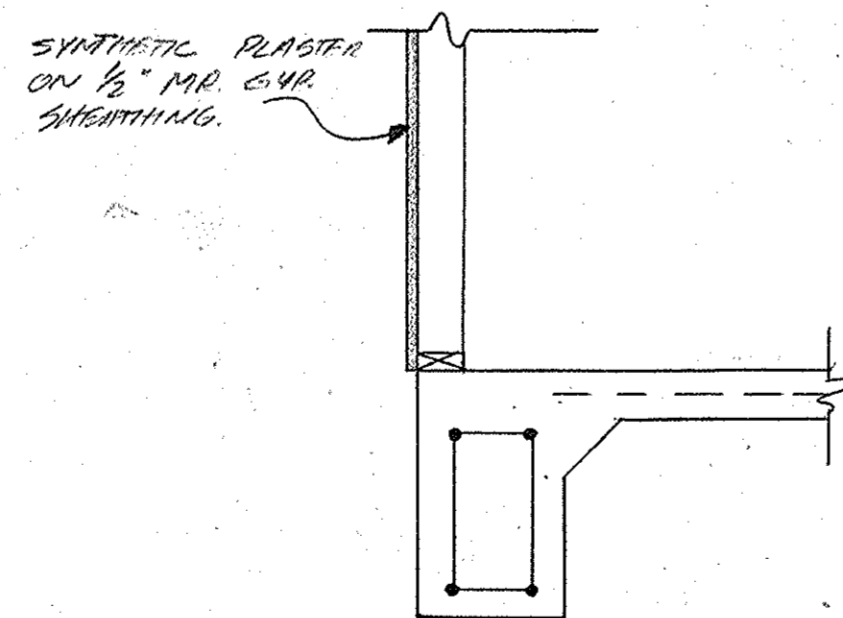
LEFT ELEVATION
1/8" = 1'-0"



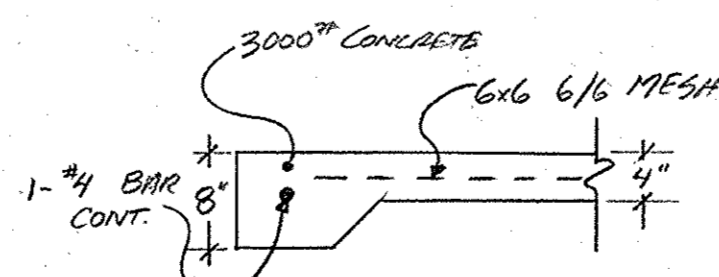
RIGHT ELEVATION
1/8" = 1'-0"



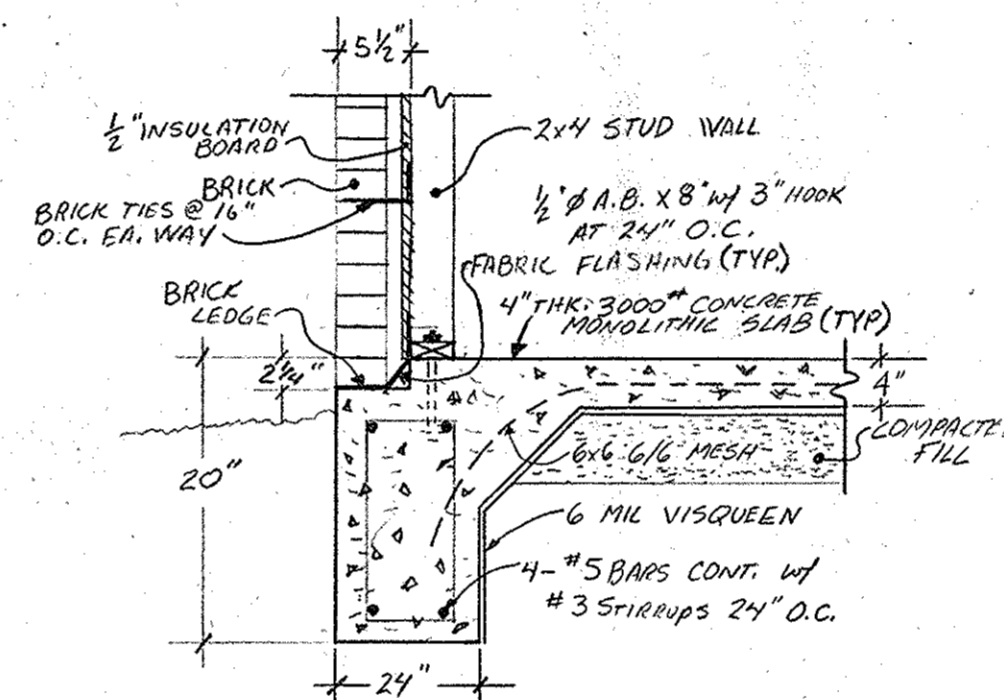
REAR ELEVATION
1/8" = 1'-0"



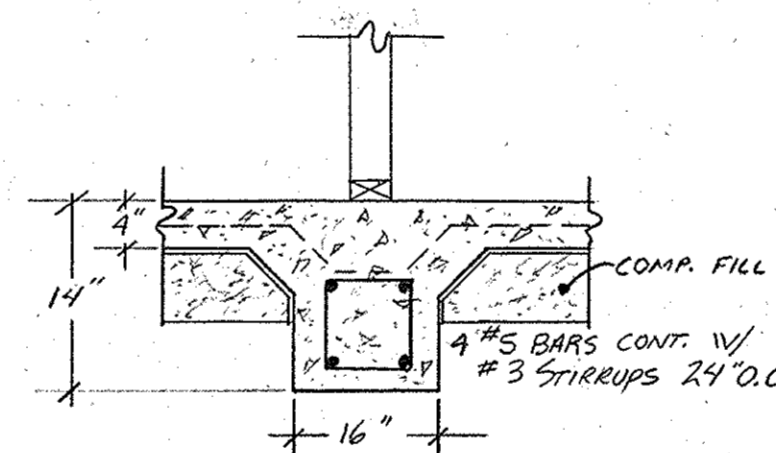
⑤ EXT. BEAM AT PLASTER
NTS



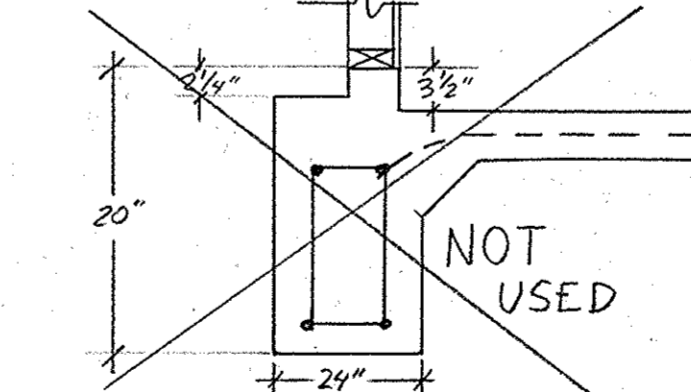
⑥ PATIO/PORCH EXT. BEAMS
NTS



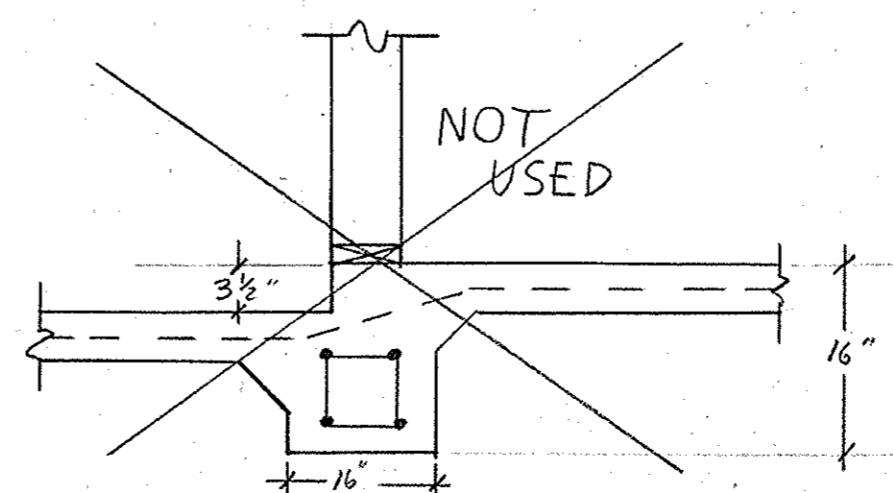
① TYPICAL EXTERIOR BEAM
NTS



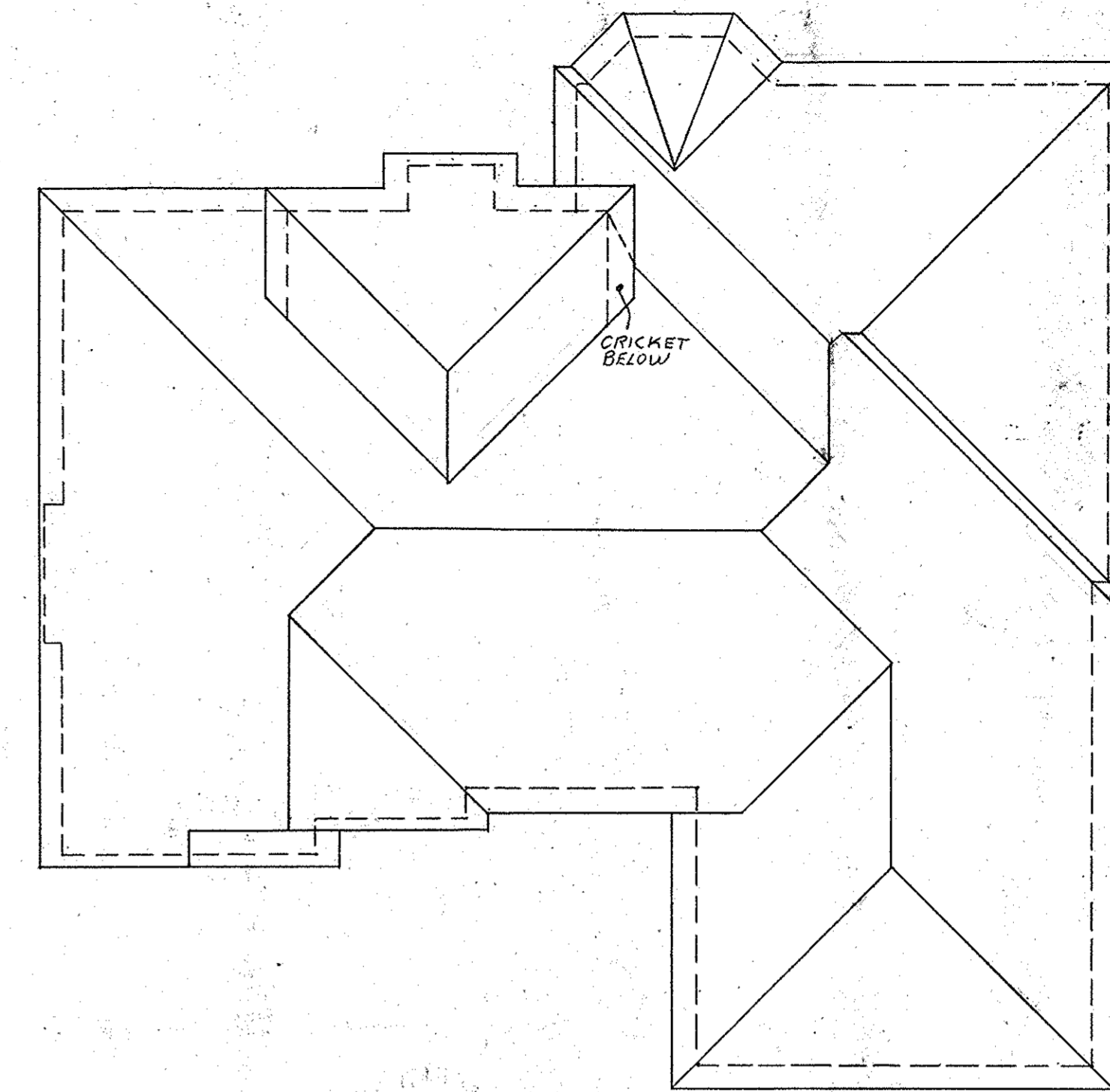
② TYPICAL INTERIOR BEAM
NTS



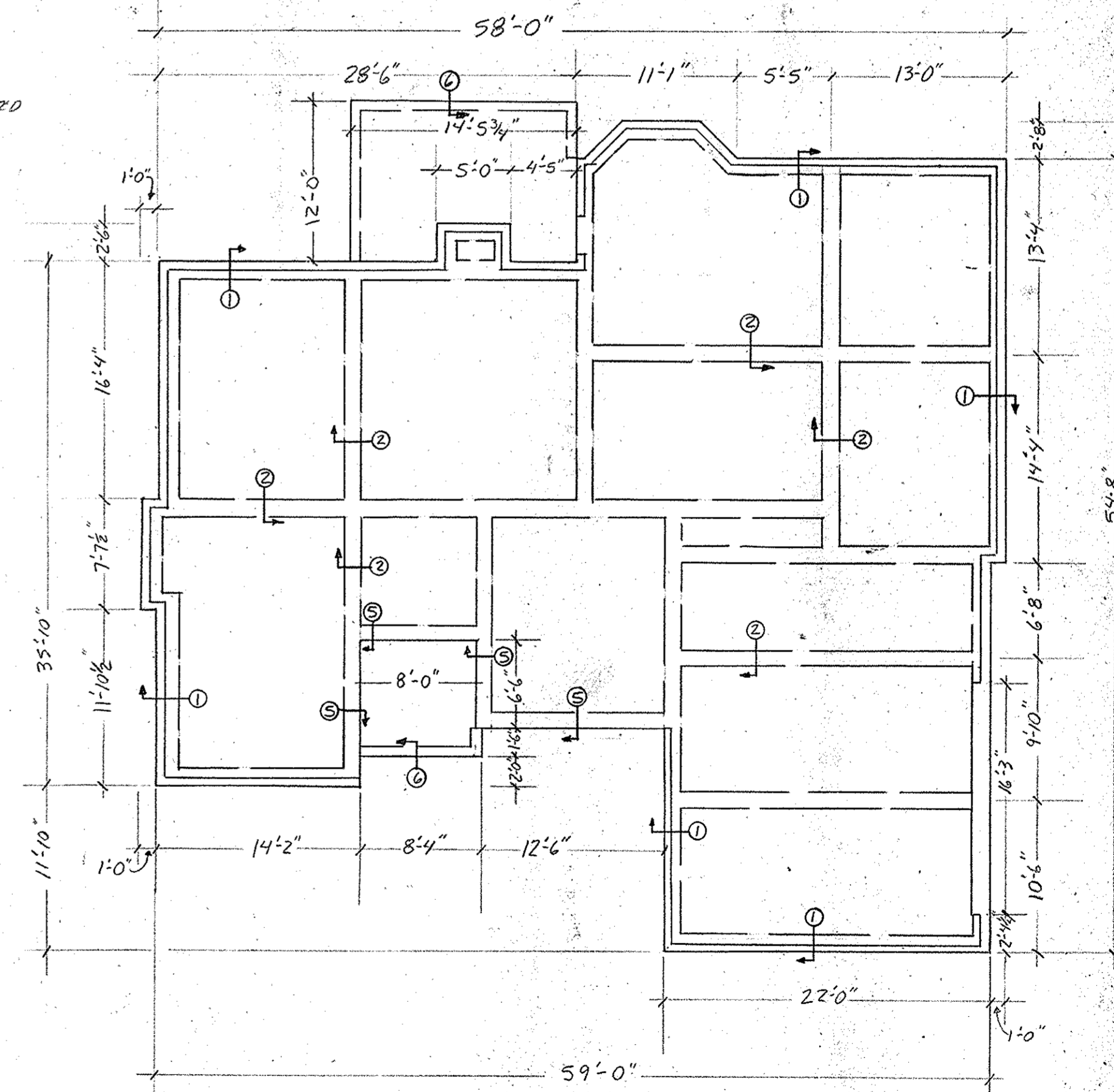
③ EXT. BEAM AT GARAGE
NTS



④ INT. BEAM AT GARAGE
NTS



ROOF FRAMING PLAN
1/8" = 1'-0"



FOUNDATION PLAN
1/8" = 1'-0"

PLANS FOR:			
John and Susan Dorman			
SCALE: 1/8" = 1'-0"	APPROVED BY:	DRAWN BY: JLD	
DATE: 11/1/92		REVISED: 12/6/92	
ELEVATIONS, FOUNDATION PLAN AND SECTIONS			DRAWING NUMBER: 2/2