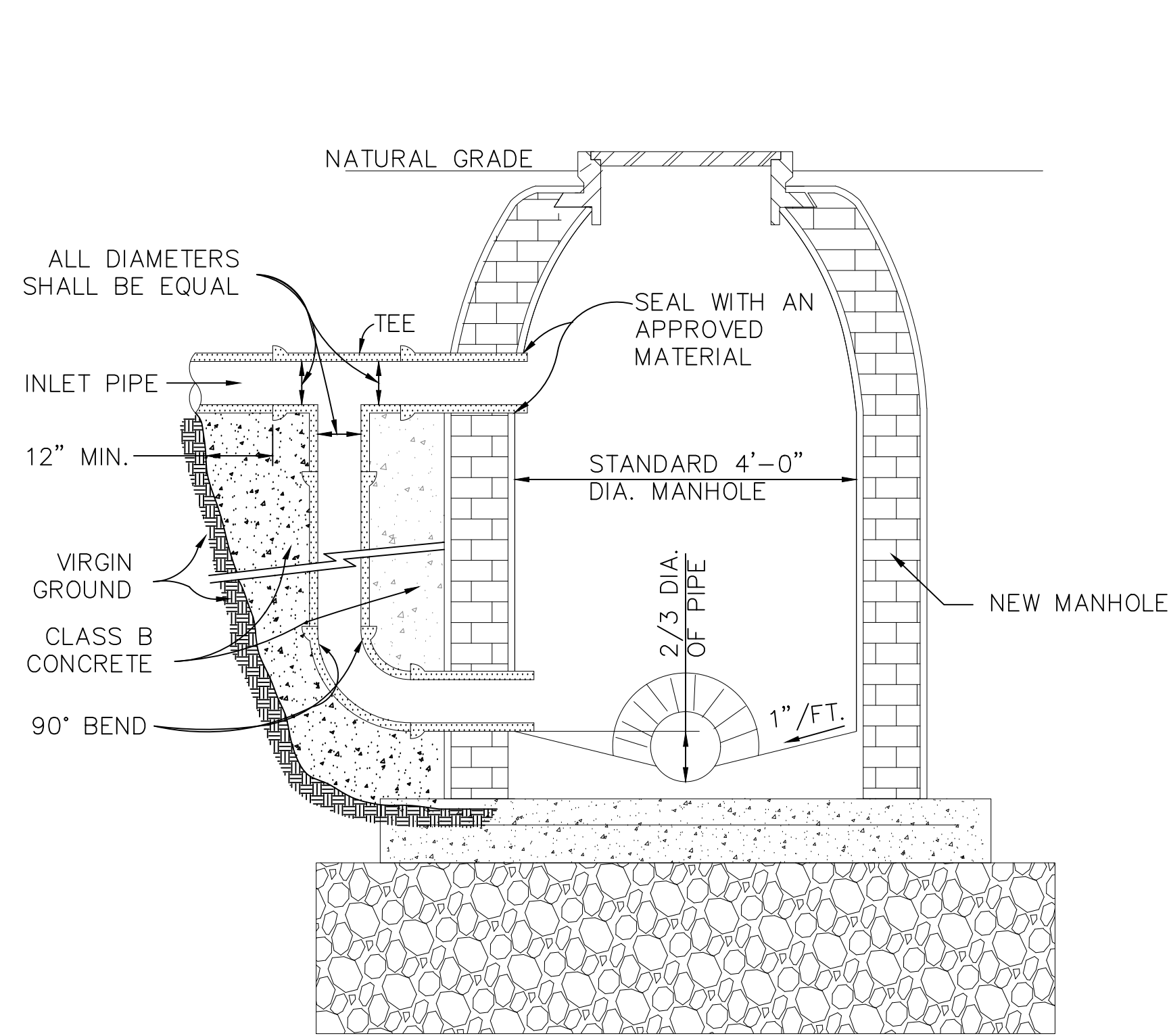
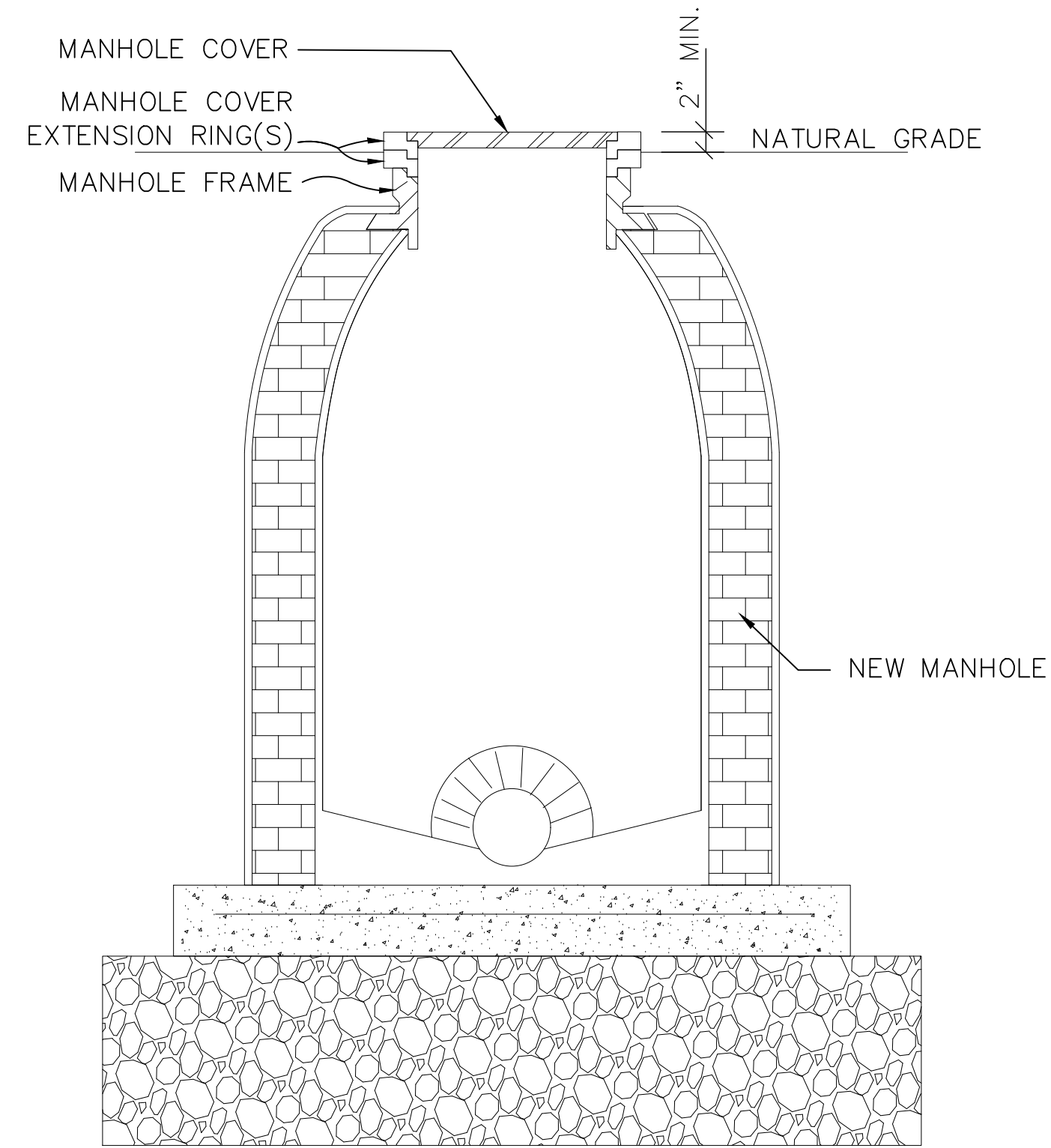


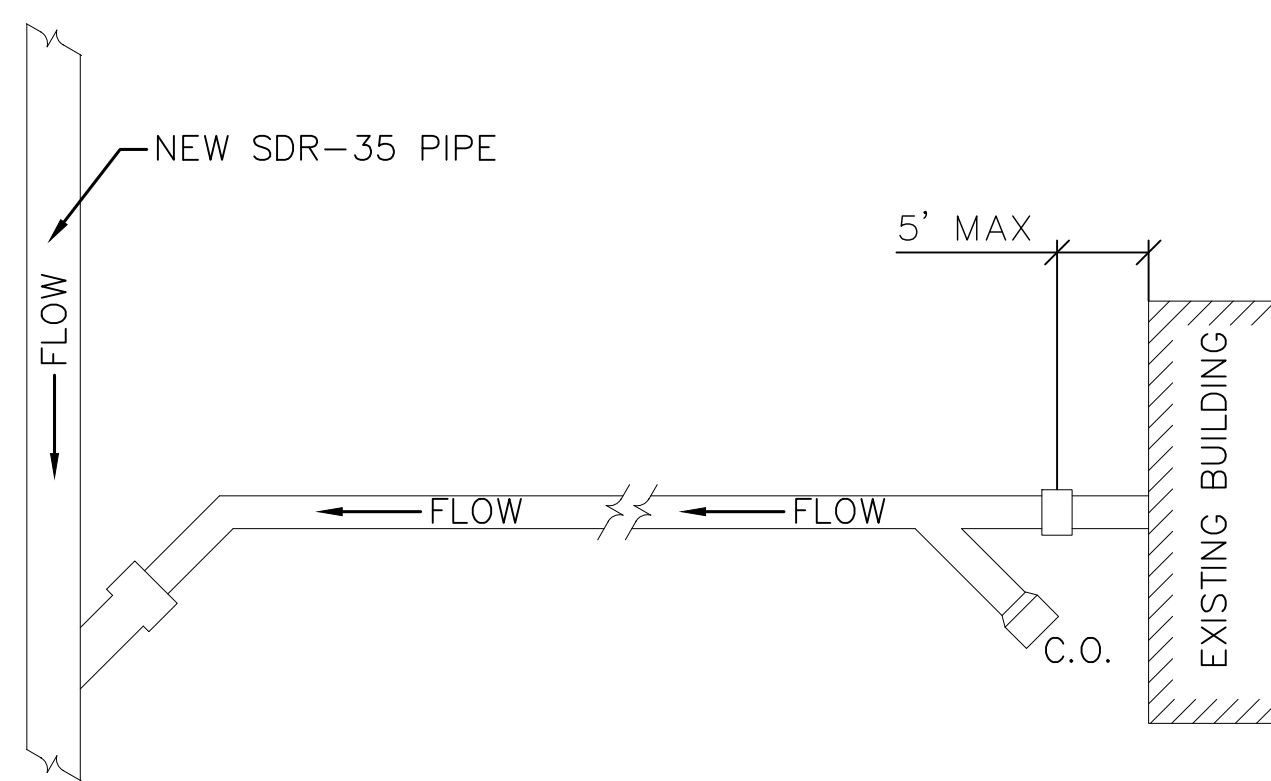
PRELIMINARY DRAWINGS



DROP SEWER MANHOLE, TYP 1
N.T.S. C-4

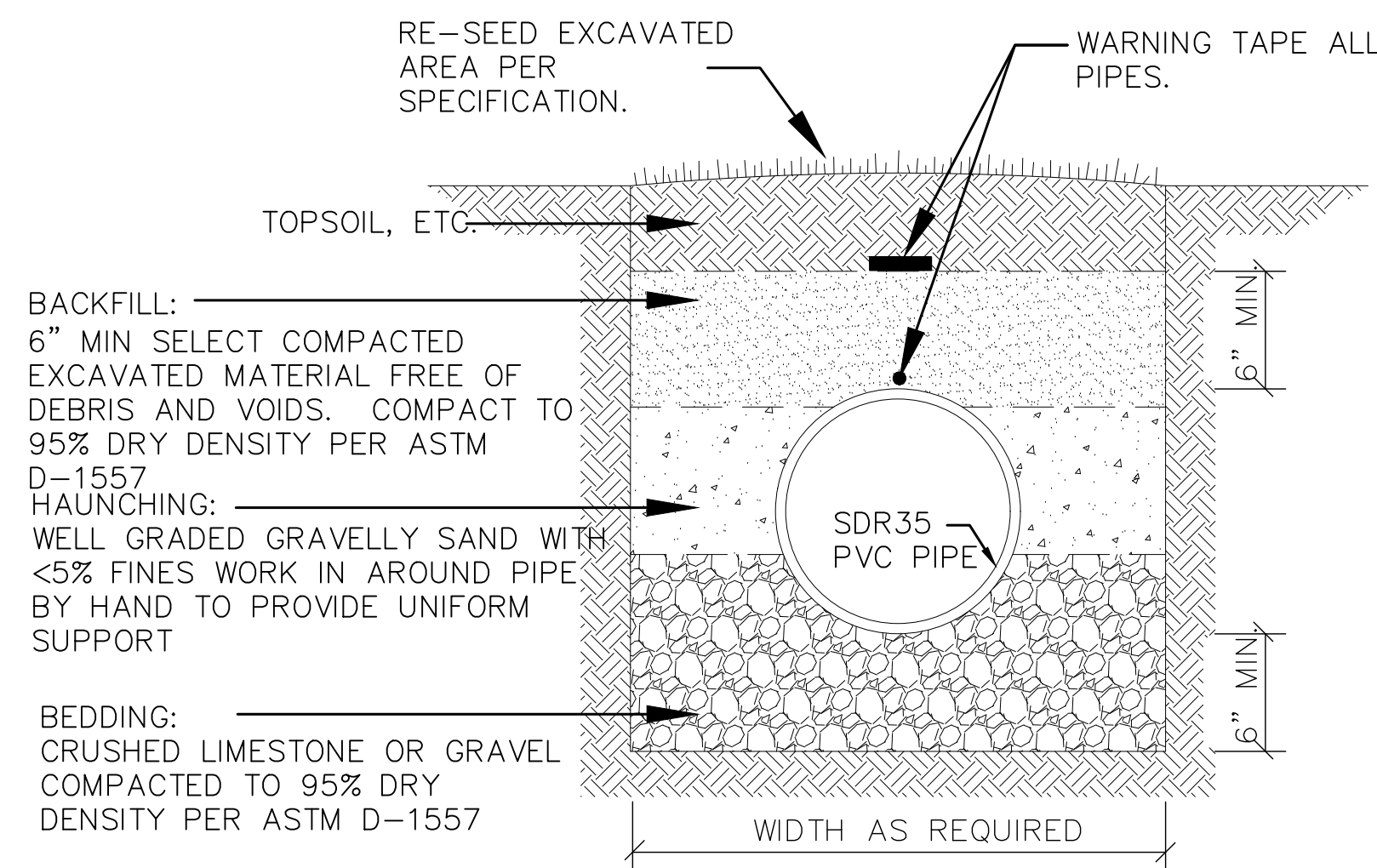


COVER EXTENSION RING(S) 2
N.T.S. C-4



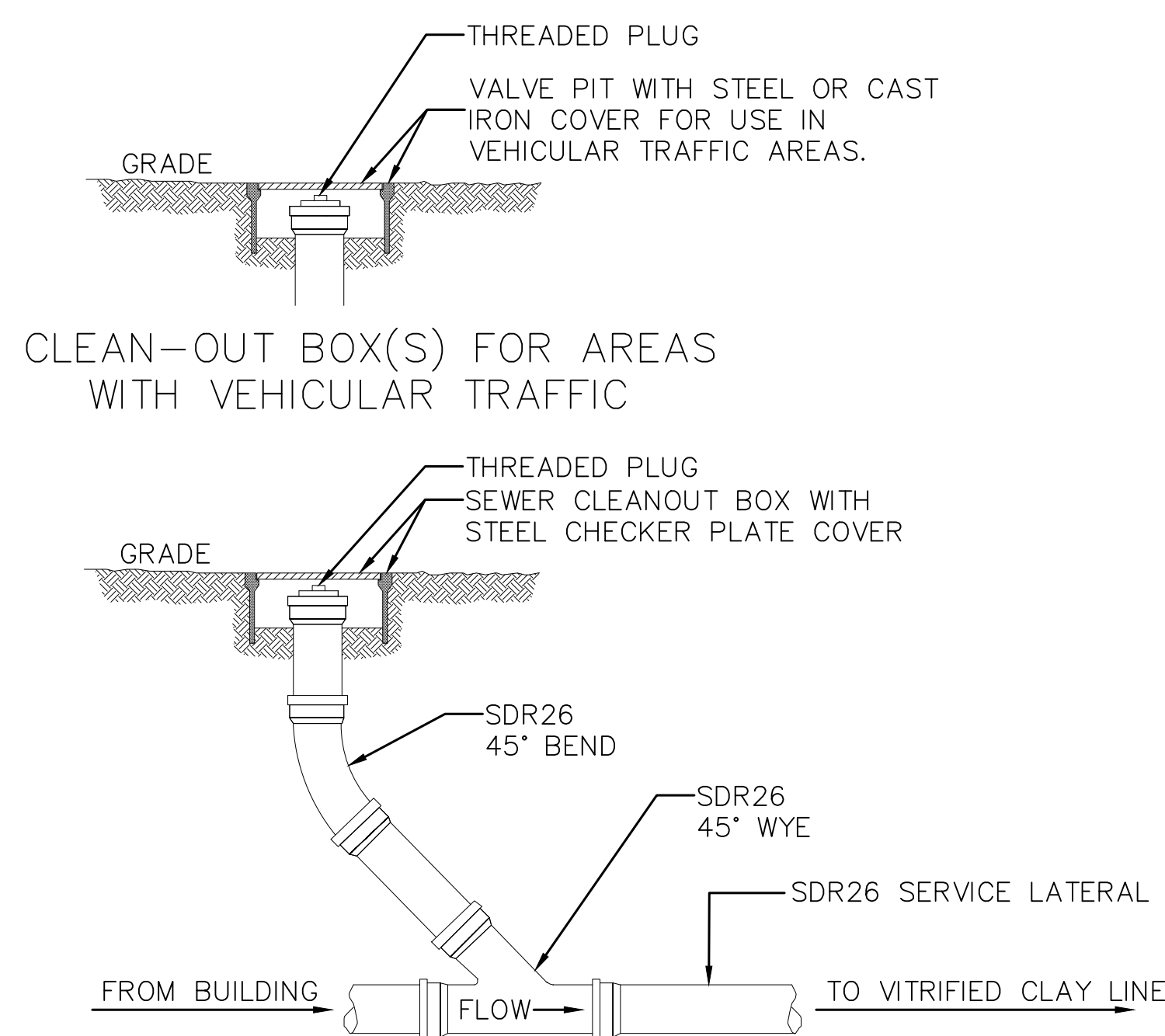
SERVICE LATERAL NOTES

TYP. SERVICE LATERAL SCHEMATIC 4
N.T.S. C-4

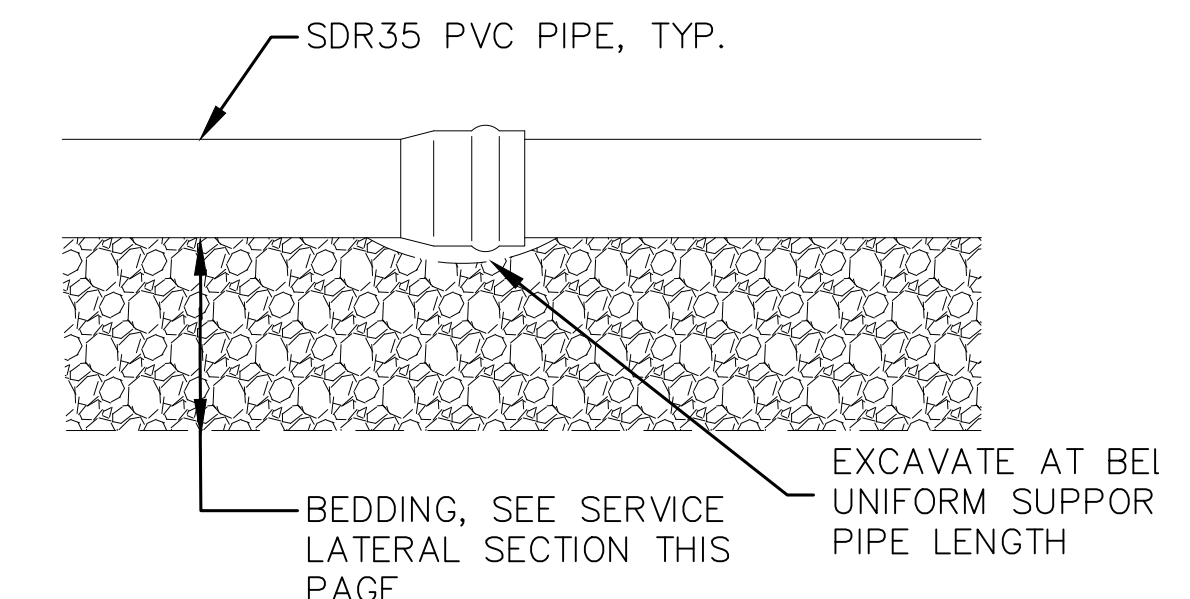


NOTE:
CONTRACTOR SHALL PROVIDE SHEETING AND BRACING TO CONTROL THE WIDTH OF EXCAVATED TRENCH AND TO SAFEGUARD THE INTEGRITY OF THE SEWER TRENCH. CONTRACTOR SHALL PROVIDE SUFFICIENT SHEETING AND BRACING TO PROVIDE SAFE WORKING CONDITIONS FOR HIS WORKMEN.

PIPE BEDDING SECTION 5
N.T.S. C-4



SEWER CLEANOUT DETAIL 6
N.T.S. C-4



SERVICE LATERAL DETAIL 7
N.T.S. C-4

#	DESCRIPTION	DATE

SEAL:

NEW FORCEMAIN
TANGIPAHOA PARISH LANDFILL

AMITE, LA
JOB No: 2490 DATE: 9-26-2024
DRAWN BY: DPD CHECKED BY: BAY

SHEET TITLE:
DETAILS

DRAWING NUMBER:
M104