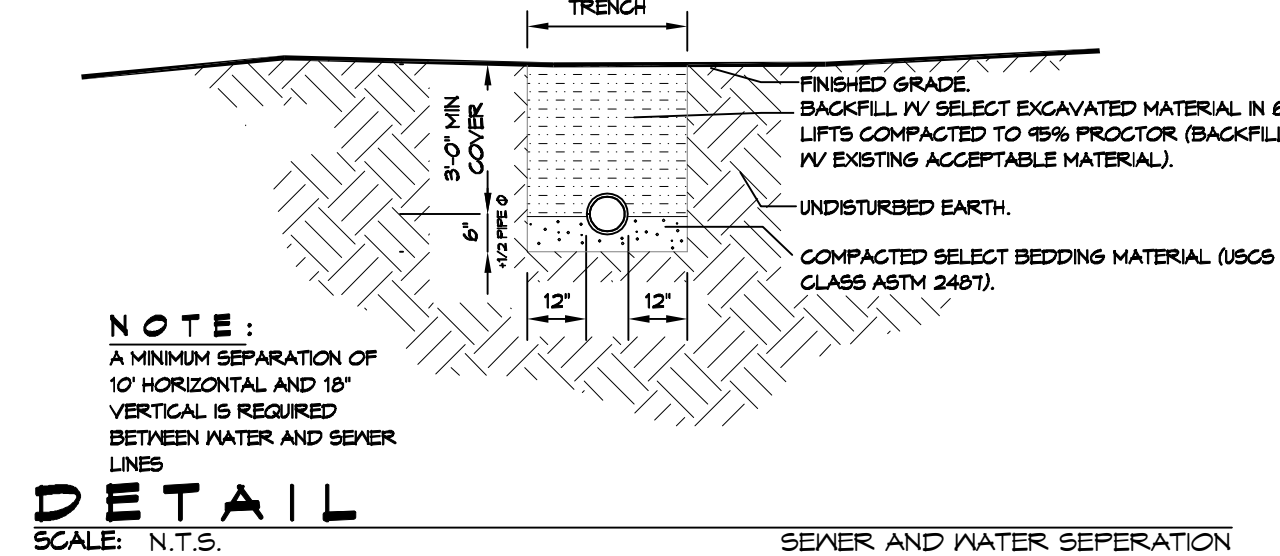


DETAIL
SCALE: N.T.S.

TYPICAL PIPE BEDDING

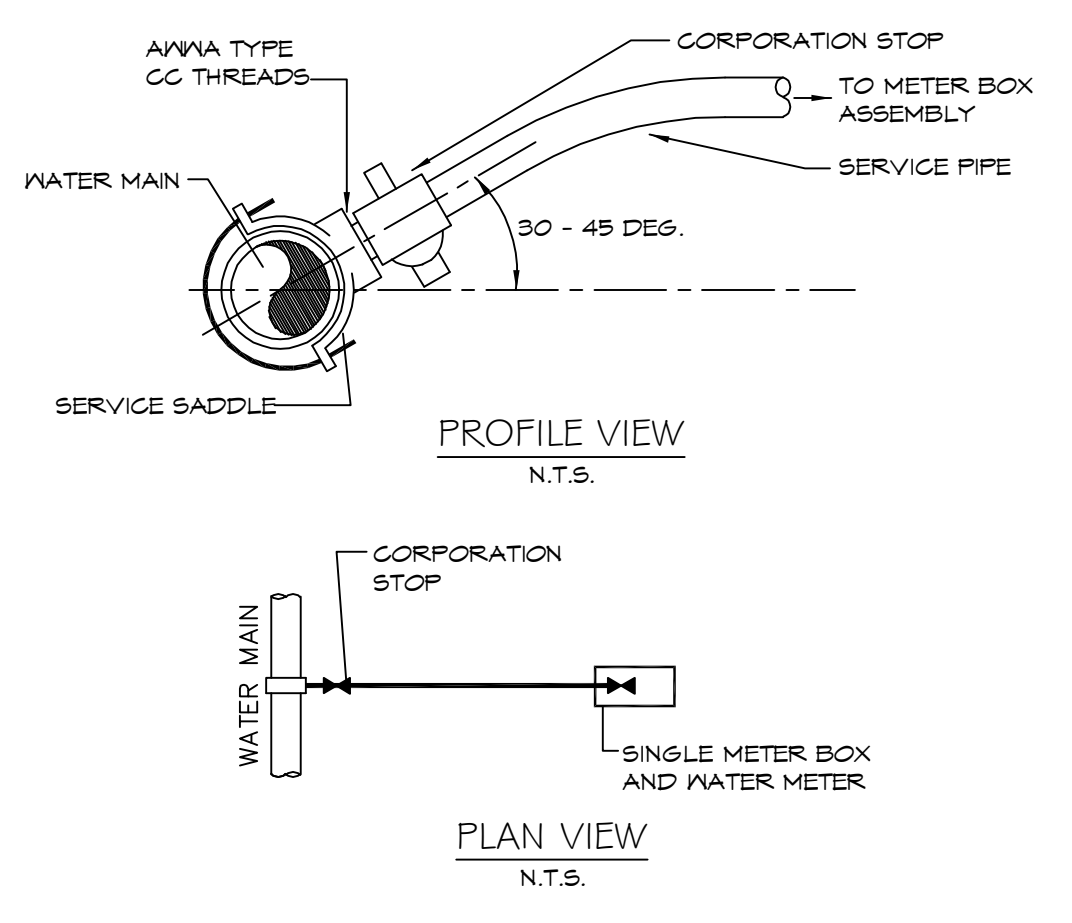
DETAIL
SCALE: N.T.S.

SEWER CLEAN OUT

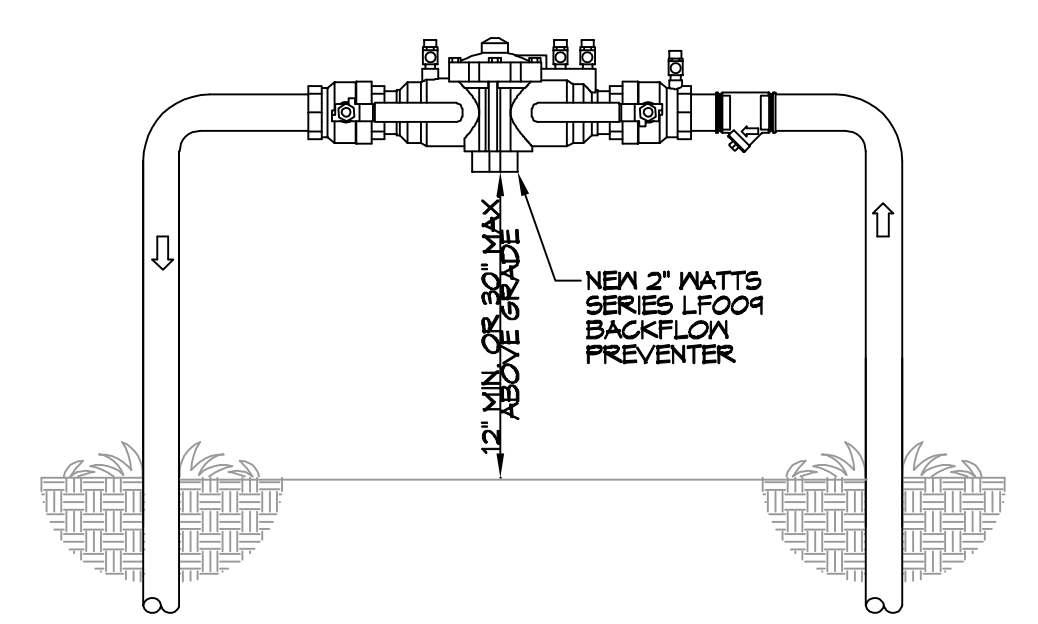


DETAIL
SCALE: N.T.S.

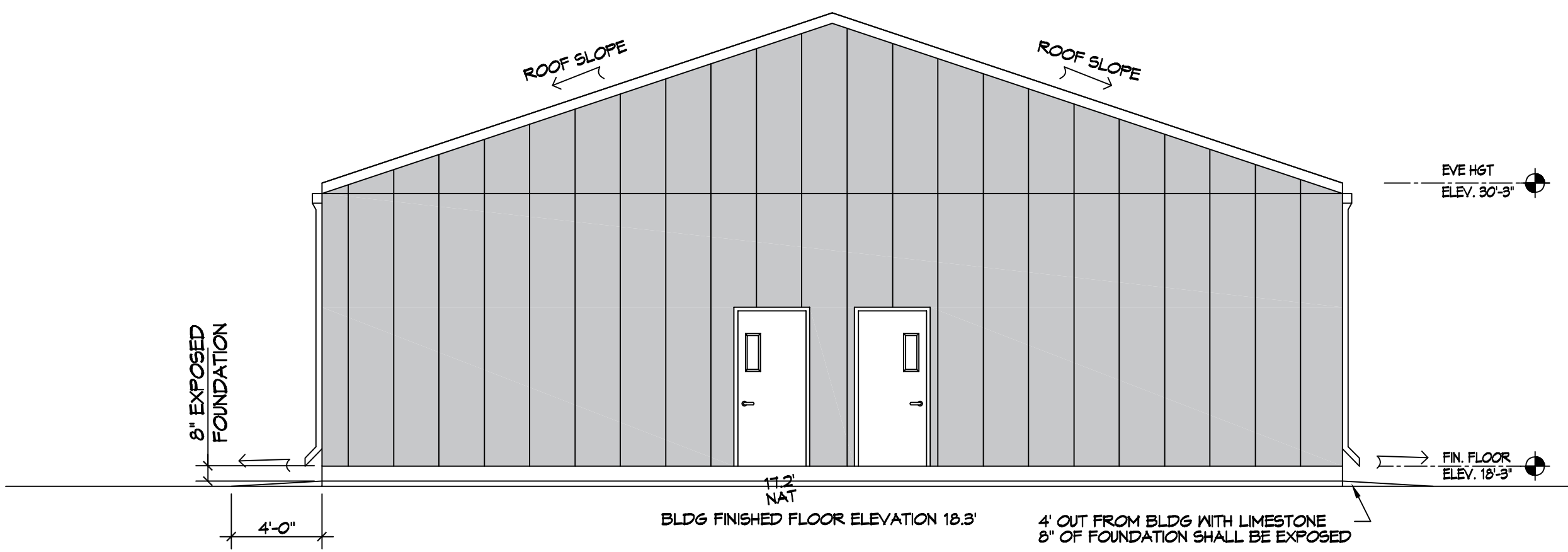
SEWER AND WATER SEPARATION



WATER SERVICE CONNECTION
SCALE: N.T.S.



TYPICAL RISER DETAIL
SCALE: N.T.S.

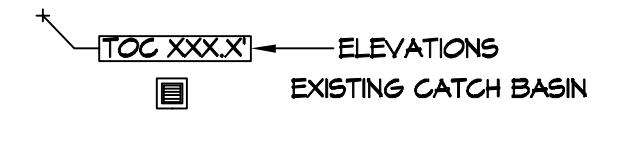


8\"/> SCALE: 3/16\"/>

DRAINAGE NOTES

- CONTRACTOR SHALL PROVIDE ALL LABOR, MATERIAL, TRANSPORTATION, SUPERVISION, CLEAN-UP, SERVICES, AND EQUIPMENT FOR A COMPLETE OPERATING SYSTEM.
- PROVIDE POSITIVE DRAINAGE AWAY FROM BLDG AND SHALL SLOPE TOWARDS EXISTING DITCHES AND CULVERTS.

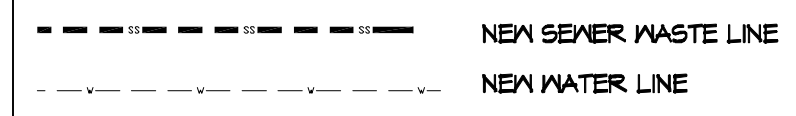
DRAINAGE LEGEND



GENERAL SITE NOTES

- PROVIDE ALL LABOR, MATERIAL AND EQUIPMENT FOR A COMPLETE OPERATING SYSTEM. CONTRACTOR IS TO FIELD VERIFY ALL EXISTING UTILITY LOCATIONS, ELEVATIONS, AND INVERTS PRIOR TO COMMENCING ANY WORK. CONTRACTOR SHALL PAY NECESSARY FEES FOR THE UTILITIES CONNECTIONS.
- CONTRACTOR TO BE RESPONSIBLE TO VERIFY ANY INVERTS AND SET NEW INVERTS OF SEWAGE AND DRAINAGE PIPES.
- ALL WORK AND MATERIAL TO COMPLY STRICTLY TO THE LATEST LOCAL CITY PARISH, STATE, AND NATIONAL GOVERNING CODES.
- SEWAGE LINES 3\"/>
- CONTRACTOR SHALL CONTACT LOUISIANA ONE CALL PRIOR TO COMMENCEMENT OF SITE EXCAVATION.
- CONTACT BILLY PALMISANO WITH CITY OF SLIDELL PUBLIC UTILITY DEPARTMENT FOR TAPS. (985-646-4291)

SITE UTILITIES LEGEND



NOTE:
ALL PLUMBING IS DRAWN
DIAGRAMMATICALLY FOR
CLARITY

AS BUILT
09-12-24

DRAINAGE & UTILITY SITE PLAN
SCALE: 1\"/>

DAMMON ENGINEERING, INC.
LOUISIANA & MISSISSIPPI
www.dammonengineering.com
info@dammonengineering.com
PH: 985.649.9832

Chief Engineer: Brian Mistich, PE
594 Old Spanish Trail
Slidell, LA 70468

#	DESCRIPTION	DATE
1	ADDED ROTABLE WATER LINE	09-26-24
2	RELOCATED VALVE ASSEMBLY CLOSER	09-20-24
3	Revised to show 2\"/>	09-19-24



NEW TRAINING FACILITY
ST. TAMMANY FIRE PROTECTION DISTRICT NO. 1

94180 S RANGE ROAD
SLIDELL, LA 70460

JOB No: 2460 | DATE: 9-25-2025 | DRAWN BY: BAW
2460 | CHECKED BY: C&D

SHEET TITLE:
DRAINAGE & FILL SITE PLAN

DRAWING NUMBER:
C102

SHEET No: 4 of 15