

MIN-SPLIT SCHEDULE

| AIR HANDLER | | | | | | | HEAT PUMP | | | | | | | |
|-------------|------------|------------|---------------|---------------|-----------|----|-----------|------------|------------|---------------|-----------|----|------|---------|
| Tag | Make | Model | Cooling (MBH) | Heating (MBH) | Power VAC | PH | Tag | Make/Model | Model | Cooling (MBH) | Power VAC | PH | MCA | Remarks |
| MS-1A | Mitsubishi | SLZ-AF09NL | 9 | 11 | 208 | 1 | MS-1 | Mitsubishi | MXZ-3D24NL | 24 | 208 | 1 | 28.7 | 1, 2 |
| MS-1B | Mitsubishi | SLZ-AF09NL | 9 | 11 | 208 | 1 | | | | | | | | |
| MS-1C | Mitsubishi | SLZ-AF09NL | 9 | 11 | 208 | 1 | | | | | | | | |
| MS-2A | Mitsubishi | MSZ-GX09NL | 9 | 9.0 | 208 | 1 | MS-2 | Mitsubishi | MXZ-2D20NL | 22 | 208 | 1 | 21.7 | 1, 3 |
| MS-2B | Mitsubishi | MSZ-GX09NL | 9 | 9.0 | 208 | 1 | | | | | | | | |

- NOTES:**
1. Install per Manufacturer's recommendations
 2. Furnish with wired MA wall mount controller, matching grille and condensate pump.
 3. Furnish with MHK-2 wireless controller and condensate pump.

DX SPLIT SYSTEM SCHEDULE

| AIR HANDLER | | | | | | | | | | HEAT PUMP | | | | | | | | | | | |
|-------------|-------|------------|--------------|-----------|---------|---------|-----|----------|------------|-----------|-------|----|-----|------|--------------|-------|----------|-------|----|-----|---------|
| TAG | MAKE | MODEL | NOMINAL TONS | TOTAL CFM | O/A CFM | COOLING | | Motor HP | ESP (" WC) | HEAT (Kw) | POWER | | | TAG | NOMINAL TONS | MAKE | MODEL | POWER | | | REMARKS |
| | | | | | | TMBH | SBH | | | | VAC | PH | MCA | | | | | VAC | PH | MCA | |
| AHU-1 | Trane | 5TAMXB0C60 | 5 | 1900 | 500 | 60 | 40 | 1 | 0.3 | 7.2 | 208 | 1 | 34 | HP-1 | 5 | Trane | 5TWV0X60 | 208 | 1 | 37 | 1, 2 |

- NOTES:**
1. Provide inlet filter box, single point power connection, expansion valve, time delay relay, condensate overflow switch & programmable 7/24 thermostat.
 2. Cooling capacities to be rated in accordance with AHRI standard 210/290 for ASHRAE standard design weather conditions in New Orleans, LA.

Exhaust Fan Schedule

| Tag | Fan | | | | Power | | | Make / Model | Remarks |
|------|---------------|------------|------|-------|-------|-------|----|-----------------------|---------|
| | Airflow (CFM) | TSP (" wc) | Amps | Watts | Volts | Phase | Hz | | |
| EF-1 | 180 | 0.3 | | 100 | 120 | 1 | 60 | Loren Cook GN-542 | 1, 2 |
| EF-2 | 50 | 0.2 | 0.4 | | 120 | 1 | 60 | Broan AE80SL | 1, 2 |
| EF-3 | 70 | 0.2 | 0.4 | | 120 | 1 | 60 | Broan AE80SL | 1, 2 |
| EF-4 | 160 | 0.2 | 1.5 | | 120 | 1 | 60 | Broan 503 | 1, 2 |
| EF-5 | 160 | 0.3 | | | 120 | 1 | 60 | Broan 503 | 1, 2 |
| EF-6 | 7000 | 0.1 | 20 | | 120 | 1 | 60 | Greenheck AER-20 | 1, 2, 3 |
| EF-7 | 1000 | 0.2 | | 190 | 120 | 1 | 60 | Greenheck CSP-A1050QD | 1, 2 |

- NOTES:**
1. Install per Manufacturer's recommendations.
 2. Furnish with matching grille, speed control and backdraft damper.
 3. Aluminum construction w/ weatherhood and motorized damper

EXHAUST REMOVAL SCHEDULE

| DESCRIPTION | QUANTITY |
|---|----------|
| AIRVAC 911® EXHAUST REMOVAL SYSTEM - Single Ph. 115V | 4 |
| AIRVAC 911® FILTER PACK (4-Stage Filter Pack, "Main Filters") | 4 |
| AIRVAC 911® FILTER GAUGE (Min. one per building section) | 1 |
| UL 508A CERTIFIED CONTROL PANEL - AVEC-4C | 1 |
| ACTIVATION PACKAGE - E-960-D90Q PHOTO EYE (set) & N505AUTM/STX01 (2") TRACK MOUNTED DOOR SWITCH | 4 |
| PREFILTERS (12 Per Box/Change date est. indicated below) | 1 |

- NOTE:**
1. ALL FANS INSTALLED IN RATED ASSEMBLIES SHALL BE EQUIPPED W/ APPROPRIATE FIRE DAMPER TO MATCH ASSEMBLY FIRE RATING.
 2. PAINT ALL SHUTTERS AND EXTERIOR GRILLES TO COLOR SPECIFICATION BY ARCHITECT.
 3. PROVIDE BIRSCREENS ON ALL SHUTTERS AND EXTERIOR GRILLES.
 4. PROVIDE BACK FLOW PREVENTER ON ALL EXHAUST SYSTEMS

**BIG ASS FAN;
BIG ASS POWERFOIL F-PFD1-1022534 FAN
WITH DOWNTUBE AND A 1HP MOTOR. MODEL
NUMBER F-PFD1-1022534.**

DEHUMIDIFIER SCHEDULE

| TAG | Make | Model | Blower (CFM) | Vent (CFM) | Moisture Removal (Pints) | Power | | | Remarks |
|------|----------|-------|--------------|------------|--------------------------|-------|----|------|---------|
| | | | | | | VAC | Ph | Amps | |
| DH-1 | Santa-Fe | V125 | 350 | 110 | 125 | 120 | 1 | 10.2 | 1 |
| DH-2 | Santa-Fe | V125 | 350 | 110 | 125 | 120 | 1 | 10.2 | 1 |

- NOTES:**
1. Install units in accordance with manufacturer's recommendations.

DIFFUSER SCHEDULE

| TAG | SERVICE | NECK SIZE | DESCRIPTION | REMARKS |
|-----|------------|-----------|--|---------|
| A | Supply Air | Ref. Plan | 20" x 20" Adjustable Square Cone Diffuser, Price ASCDA w/ Insulated Back Panel | 1, 2, 3 |
| B | Supply Air | Ref. Plan | 24" x 24" Adjustable Square Cone Diffuser, Price ASCDA w/ Insulated Back Panel | 1, 2, 3 |
| C | Return Air | Ref. Plan | 24" X 24" Perforated, Ducted Return, Titus PAR | 1, 2, 3 |
| D | Vent | N/A | 12" x 12" filter return air grille, Price 60FH w/ 1" filter media | 1, 3 |
| E | Vent | N/A | 24" x 24" filter return air grille, Price 60FH w/ 1" filter media | 1, 3 |

- Notes:**
1. Seal perimeter of diffusers/grilles to prevent moisture migration from attic space, as applicable
 2. R value of insulated back panels/plenums to exceed R-8
 3. Coordinate with owner / architect for color and finish

WATER HEATER SCHEDULE

| TAG | Type | Make | Model | Range of Flow (GPM) | Temperature Rise (F) | Natural Gas | | Power | | | Remarks |
|------|------------------------|--------|--------|---------------------|----------------------|---------------|---------|-------|----|------|---------|
| | | | | | | Maximum (MBH) | FT3/Hr. | VAC | Ph | Amps | |
| WH-1 | Instant, Noncondensing | Rinnai | RE1991 | 0.13 -9.8 | 35 | 199 | 193 | 120 | 1 | 4 | 1 |

- NOTES:**
1. Install units in accordance with NFPA and manufacturer's recommendations.

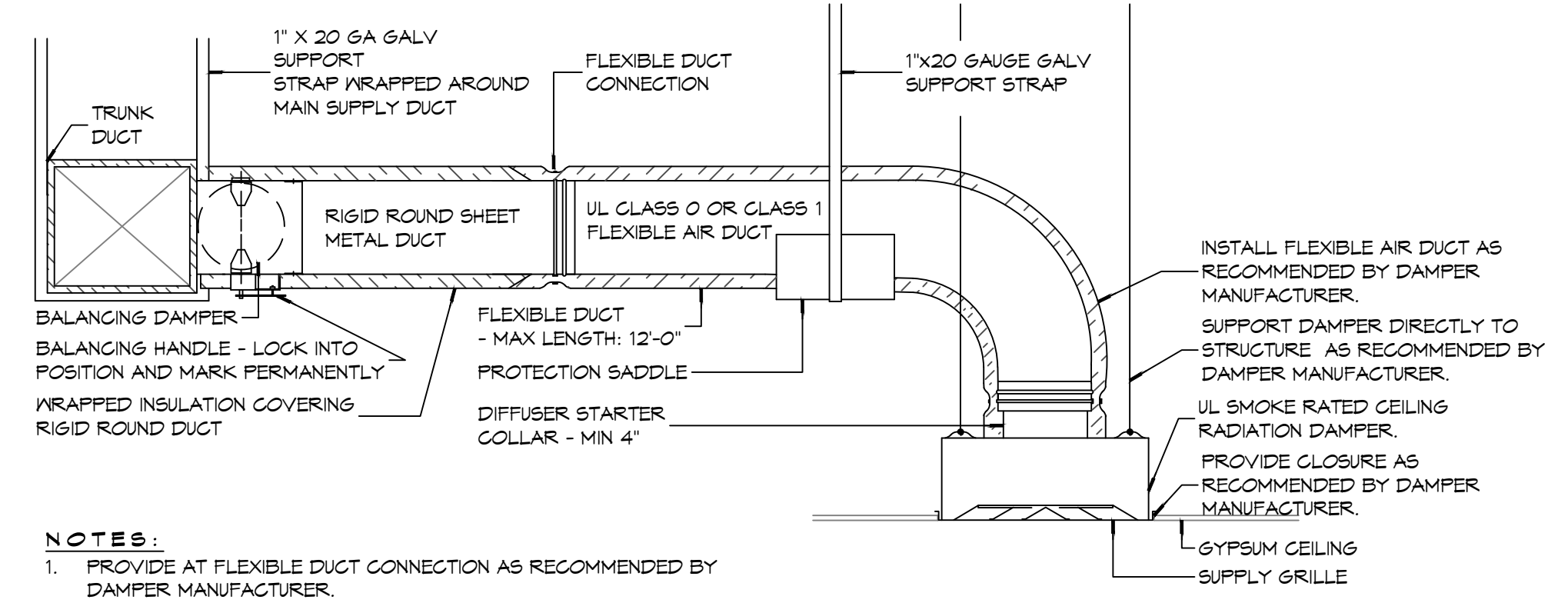
GENERAL HVAC NOTES

1. ALL MECHANICAL WORK SHALL BE COORDINATED WITH THE WORK OF OTHER TRADES.
2. VERIFY ROUTING OF ALL WORK ON SITE.
3. HVAC CONTRACTOR REPLACE ALL EQUIPMENT FILTERS AT THE TIME OF POSSESSION OF THE PROJECT BY THE OWNER, USING ONLY NEW FILTERS OF THE PROPER SIZE AND TYPE.
4. CONTRACTOR SHALL LEAVE THE HVAC SYSTEM IN PROPER WORKING ORDER AND SHALL GUARANTEE SAME FOR A PERIOD OF TWELVE (12) MONTHS FROM THE DATE OF SUBSTANTIAL COMPLETION.
5. PROVIDE A MINIMUM 4" THICK LEVEL PRE-CAST CONCRETE PAD FOR PACKAGED UNITS AT GRADE. THE SIZE OF THE PRE-CAST PAD WILL BE REQUIRED TO ACCOMMODATE THE FOOT PRINT OF THE UNIT AND BE ACCEPTABLE FOR MOUNTING.
6. WHERE MOUNTING HEIGHTS ARE NOT INDICATED OR DIMENSIONED, INSTALL MECHANICAL SERVICES AND OVERHEAD EQUIPMENT TO PROVIDE THE MAXIMUM HEADROOM POSSIBLE.

DAMMON ENGINEERING, INC.
LOUISIANA & MISSISSIPPI
www.dammonengineering.com
info@dammonengineering.com
PH: 985.649.5832

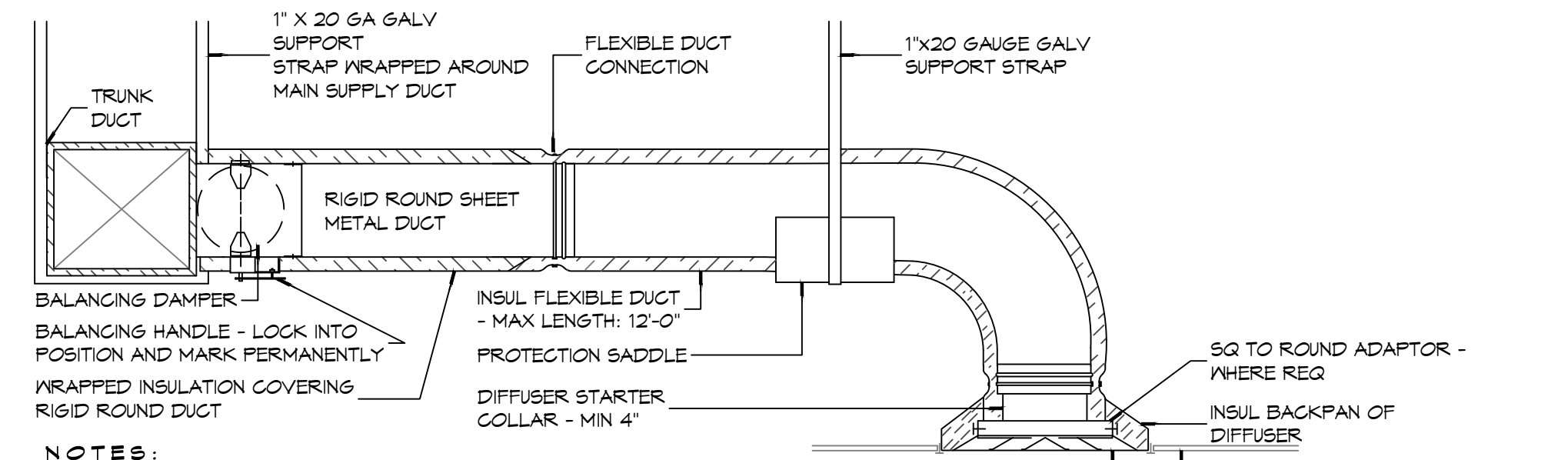
| # | DESCRIPTION | DATE |
|---|-------------|------|
| | | |
| | | |
| | | |

SEAL:



- NOTES:**
1. PROVIDE AT FLEXIBLE DUCT CONNECTION AS RECOMMENDED BY DAMPER MANUFACTURER.
 2. PROVIDE MINIMUM 4" COLLARS FOR ATTACHMENT OF THE FLEXIBLE DUCT TO ROUND DUCT, DAMPERS AND DIFFUSERS.
 3. BAND RIGID ROUND DUCT INSULATION TO DUCT AND PROVIDE TAPE FOR INSULATION OVERLAP.

(B) TYPICAL FIRE/SMOKE RATED CEILING DIFFUSER



- NOTES:**
1. PROVIDE AT FLEXIBLE DUCT CONNECTION "PANDUIT" DRABAND ON THE INTERIOR FLEXIBLE DUCT HELIX.
 2. PROVIDE MINIMUM 4" COLLARS FOR ATTACHMENT OF THE FLEXIBLE DUCT TO ROUND DUCT, DAMPERS AND DIFFUSERS.
 3. BAND RIGID ROUND DUCT INSULATION TO DUCT AND PROVIDE TAPE FOR INSULATION OVERLAP.

(A) TYPICAL NON-RATED CEILING DIFFUSER

**NEW FIRE STATION #10
ST. TAMMANY FIRE PROTECTION
DISTRICT No. 1**
246 LAKESHORE VISTA BLVD
SLIDELL, LA 70461
JOB No: 2519 DATE: 11-30-2025
DRAWN BY: CKD CHECKED BY: BAK

SHEET TITLE:
HVAC DETAILS AND SCHEDULES
DRAWING NUMBER:
M102
SHEET No: 33 of 35